


Instructions for use

WASHER-DRYER

GB

!  This symbol reminds you to read this instruction manual.

GB

English, 1

PL

Polski, 13

RU

Русский, 25

KZ

Қазақша, 37

AM

Հայերեն, 49

KGZ

Кыргыз, 61

RDPD 96407 J

Contents

Installation, 2-3

Unpacking and levelling
Connecting the electricity and water supplies
The first wash cycle
Technical data

Care and maintenance, 4

Cutting off the water or electricity supply
Cleaning the washer-dryer
Cleaning the detergent dispenser drawer
Caring for the door and drum of your appliance
Cleaning the pump
Checking the water inlet hose

Precautions and tips, 5

General safety
Disposal
Opening the porthole door manually

Description of the washer-dryer, 6-7

Control panel
Display

How to run a wash cycle or a drying cycle, 8

Wash cycles and functions, 9

Table of wash cycles
Wash functions

Detergents and laundry, 10

Detergent dispenser drawer
Preparing the laundry
Special wash cycles
Load balancing system

Troubleshooting, 11

Service, 12

Hotpoint
ARISTON

Installation

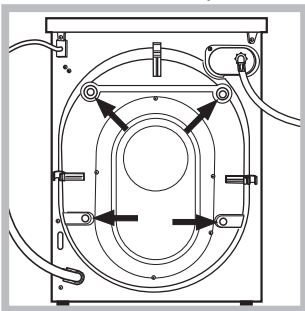
GB

! This instruction manual should be kept in a safe place for future reference. If the washer-dryer is sold, transferred or moved, make sure that the instruction manual remains with the machine so that the new owner is able to familiarise himself/herself with its operation and features.
! Read these instructions carefully: they contain vital information relating to the safe installation and operation of the appliance.

Unpacking and levelling

Unpacking

1. Remove the washer-dryer from its packaging.
2. Make sure that the washer-dryer has not been damaged during the transportation process. If it has been damaged, contact the retailer and do not proceed any further with the installation process.

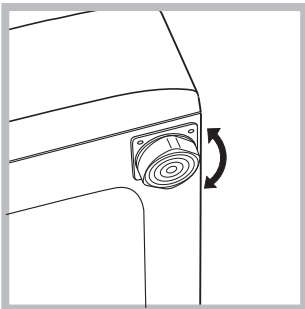


3. Remove the 4 protective screws (used during transportation) and the rubber washer with the corresponding spacer, located on the rear part of the appliance (see figure).

4. Close off the holes using the plastic plugs provided.
5. Keep all the parts in a safe place: you will need them again if the washer-dryer needs to be moved to another location.
! Packaging materials should not be used as toys for children.

Levelling

1. Install the washer-dryer on a flat sturdy floor, without resting it up against walls, furniture cabinets or anything else.

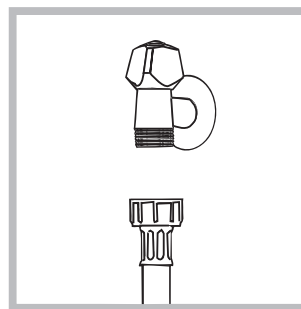


2. If the floor is not perfectly level, compensate for any unevenness by tightening or loosening the adjustable front feet (see figure); the angle of inclination, measured in relation to the worktop, must not exceed 2°.

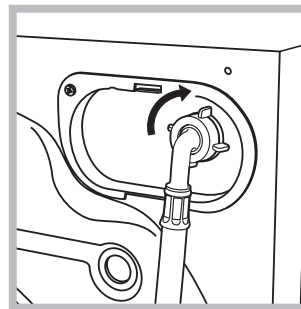
Levelling the machine correctly will provide it with stability, help to avoid vibrations and excessive noise and prevent it from shifting while it is operating. If it is placed on carpet or a rug, adjust the feet in such a way as to allow a sufficient ventilation space underneath the washer-dryer.

Connecting the electricity and water supplies

Connecting the water inlet hose



1. Connect the inlet hose by screwing it to a cold water tap using a 3/4 gas threaded connection (see figure). Before performing the connection, allow the water to run freely until it is perfectly clear.



2. Connect the inlet hose to the washer-dryer by screwing it onto the corresponding water inlet of the appliance, which is situated on the top right-hand side of the rear part of the appliance (see figure).

3. Make sure that the hose is not folded over or bent.

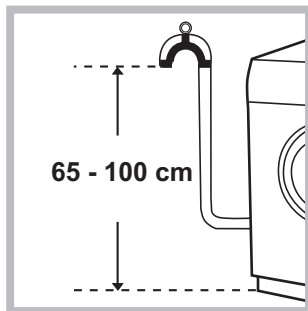
! The water pressure at the tap must fall within the range of values indicated in the Technical data table (see next page).

! If the inlet hose is not long enough, contact a specialised shop or an authorised technician.

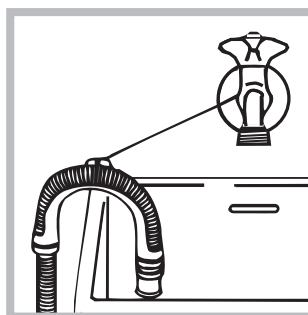
! Never use second-hand hoses.

! Use the ones supplied with the machine.

Connecting the drain hose



Connect the drain hose, without bending it, to a drain duct or a wall drain situated between 65 and 100 cm from the floor;



alternatively, placed it over the edge of a basin, sink or tub, fastening the duct supplied to the tap (see figure). The free end of the hose should not be underwater.

! We advise against the use of hose extensions; if it is absolutely necessary, the extension must have the same diameter as the original hose and must not exceed 150 cm in length.

Electrical connections

Before plugging the appliance into the electricity socket, make sure that:

- the socket is earthed and complies with all applicable laws;
- the socket is able to withstand the maximum power load of the appliance as indicated in the Technical data table (see opposite);
- the power supply voltage falls within the values indicated in the Technical data table (see opposite);
- the socket is compatible with the plug of the washer-dryer. If this is not the case, replace the socket or the plug.

! The washer-dryer must not be installed outdoors, even in covered areas. It is extremely dangerous to leave the appliance exposed to rain, storms and other weather conditions.

! When the washer-dryer has been installed, the electricity socket must remain within easy reach.

! Do not use extension cords or multiple sockets.

! The cable should not be bent or compressed.

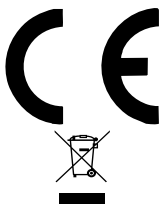
! The power supply cable must only be replaced by authorised technicians.

Warning! The company shall not be held responsible in the event that these standards are not observed.

The first wash cycle

Once the appliance has been installed, and before you use it for the first time, run a wash cycle with detergent and no laundry, using wash cycle auto clean (see "Cleaning the washer-dryer").

Technical data

Model	RDPD 96407 J
Dimensions	width 59.5 cm height 85 cm depth 54 cm
Capacity	from 1 to 9 kg for the wash programme from 1 to 6 kg for the drying programme
Electrical connections	please refer to the technical data plate fixed to the machine
Water connections	maximum pressure 1 MPa (10 bar) minimum pressure 0.05 MPa (0.5 bar) drum capacity 58 litres
Spin speed	up to 1400 rotations per minute
Energy rated programmes according to regulation EN 50229	Wash: programme 8; temperature 60°C; using a load of 9 kg. Drying: the greater load (6kg) must be dried by selecting the "EXTRA" dryness level. The remainder of the load must be dried by selecting the "EXTRA" dryness level: the load must consist of 3 sheets, 2 pillowcases and 1 hand towel.
	This appliance conforms to the following EC Directives: - 2004/108/EC (Electromagnetic Compatibility) - 2006/95/EC (Low Voltage) - 2012/19/EU (WEEE)

Care and maintenance

GB


Cutting off the water and electricity supplies

- Turn off the water tap after every wash cycle. This will limit wear on the hydraulic system inside the washer-dryer and help to prevent leaks.
- Unplug the washer-dryer when cleaning it and during all maintenance work.

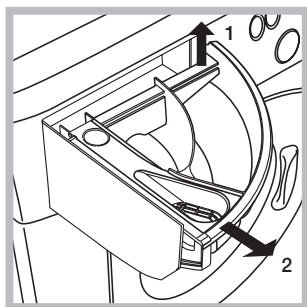
Cleaning the washer-dryer

- The outer parts and rubber components of the appliance can be cleaned using a soft cloth soaked in lukewarm soapy water. Do not use solvents or abrasives.
- The washer-dryer has a auto clean programme for its internal parts that **must be run with no load in the drum**.

To help the wash cycle you may want to use either the detergent (i.e. a quantity 10% the quantity specified for lightly-soiled garments) or special additives to clean the washer-dryer. We recommend running a cleaning programme every 40 wash cycles.

To activate the programme, press the  button for 5 seconds then press START/PAUSE to start the programme, which will last roughly 70 minutes.

Cleaning the detergent dispenser drawer



Remove the dispenser by raising it and pulling it out (see figure). Wash it under running water; this operation should be repeated frequently.

Caring for the door and drum of your appliance

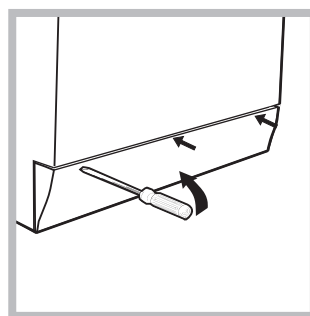
- Always leave the porthole door ajar in order to prevent unpleasant odours from forming.

Cleaning the pump

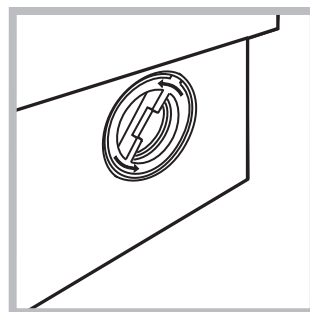
The washer-dryer is fitted with a self-cleaning pump which does not require any maintenance. Sometimes, small items (such as coins or buttons) may fall into the pre-chamber which protects the pump, situated in its bottom part.

! Make sure the wash cycle has finished and unplug the appliance.

To access the pre-chamber:



1. using a screwdriver, remove the cover panel on the lower front part of the washer-dryer (see figure);



2. unscrew the lid by rotating it anti-clockwise (see figure): a little water may trickle out. This is perfectly normal;

3. clean the inside thoroughly;
4. screw the lid back on;
5. reposition the panel, making sure the hooks are securely in place before you push it onto the appliance.

Checking the water inlet hose

Check the inlet hose at least once a year. If there are any cracks, it should be replaced immediately: during the wash cycles, water pressure is very strong and a cracked hose could easily split open.

! Never use second-hand hoses.

! This washer-dryer was designed and constructed in accordance with international safety regulations. The following information is provided for safety reasons and must therefore be read carefully.

General safety

- This appliance was designed for domestic use only.
 - This appliance can be used by children aged from 8 years and above and persons with reduced physical, sensory or mental capabilities or lack of experience and knowledge if they have been given supervision or instruction concerning use of the appliance in a safe way and understand the hazards involved. Children shall not play with the appliance. Cleaning and user maintenance shall not be made by children without supervision.
 - Do not dry unwashed items in the tumble dryer.
 - Items that have been soiled with substances such as cooking oil, acetone, alcohol, petrol, kerosene, spot removers, turpentine, waxes and wax removers should be washed in hot water with an extra amount of detergent before being dried in the tumble dryer.
 - Items such as foam rubber (latex foam), shower caps, waterproof textiles, rubber backed articles and clothes or pillows fitted with foam rubber pads should not be dried in the tumble dryer.
 - Fabric softeners, or similar products, should be used as specified by the fabric softener instructions.
 - The final part of a tumble dryer cycle occurs without heat (cool down cycle) to ensure that the items are left at a temperature that ensures that the items will not be damaged.
- WARNING:** Never stop a tumble dryer before the end of the drying cycle unless all items are quickly removed and spread out so that the heat is dissipated.
- Do not touch the machine when barefoot or with wet or damp hands or feet.
 - Do not pull on the power supply cable when unplugging the appliance from the electricity socket. Hold the plug and pull.
 - Do not open the detergent dispenser drawer while the machine is in operation.
 - Do not touch the drained water as it may reach extremely high temperatures.
 - Never force the porthole door. This could damage the safety lock mechanism designed to prevent accidental opening.
 - If the appliance breaks down, do not under any circumstances access the internal mechanisms in an attempt to repair it yourself.
 - Always keep children well away from the appliance while it is operating.
 - The door can become quite hot during the wash cycle.
 - If the appliance has to be moved, work in a group of two or three people and handle it with the utmost care. Never try to do this alone, because the appliance is very heavy.
 - Before loading laundry into the washer-dryer, make sure the drum is empty.
 - During the drying phase, the door tends to get quite hot.
 - Do not use the appliance to dry clothes that have been washed with flammable solvents (e.g. trichlorethylene).
 - Do not use the appliance to dry foam rubber or similar elastomers.

- Make sure that the water tap is turned on during the drying cycles.
- Children of less than 3 years should be kept away from the appliance unless continuously supervised.
- Remove all objects from pockets such as lighters and matches.

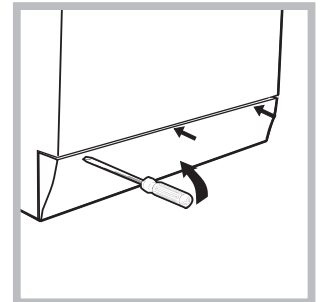
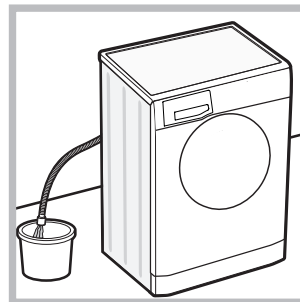
Disposal

- Disposing of the packaging materials: observe local regulations so that the packaging may be re-used.
- The European Directive 2012/19/EU on Waste Electrical and Electronic Equipment, requires that old household electrical appliances must not be disposed of in the normal unsorted municipal waste stream. Old appliances must be collected separately in order to optimise the recovery and recycling of the materials they contain and reduce the impact on human health and the environment. The crossed out "wheeled bin" symbol on the product reminds you of your obligation, that when you dispose of the appliance it must be separately collected. Consumers should contact their local authority or retailer for information concerning the correct disposal of their old appliance.

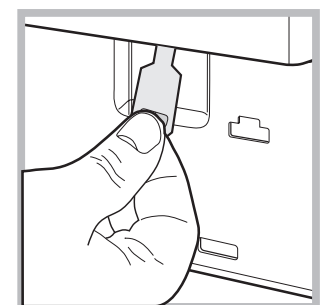
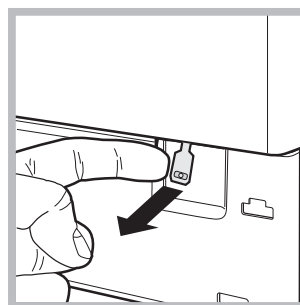
Opening the porthole door manually

In the event that it is not possible to open the porthole door due to a powercut, and if you wish to remove the laundry, proceed as follows:

1. remove the plug from the electrical socket.



2. make sure the water level inside the machine is lower than the door opening; if it is not, remove excess water using the drain hose, collecting it in a bucket as indicated in the figure.
3. using a screwdriver, remove the cover panel on the lower front part of the washer-dryer (see figure).

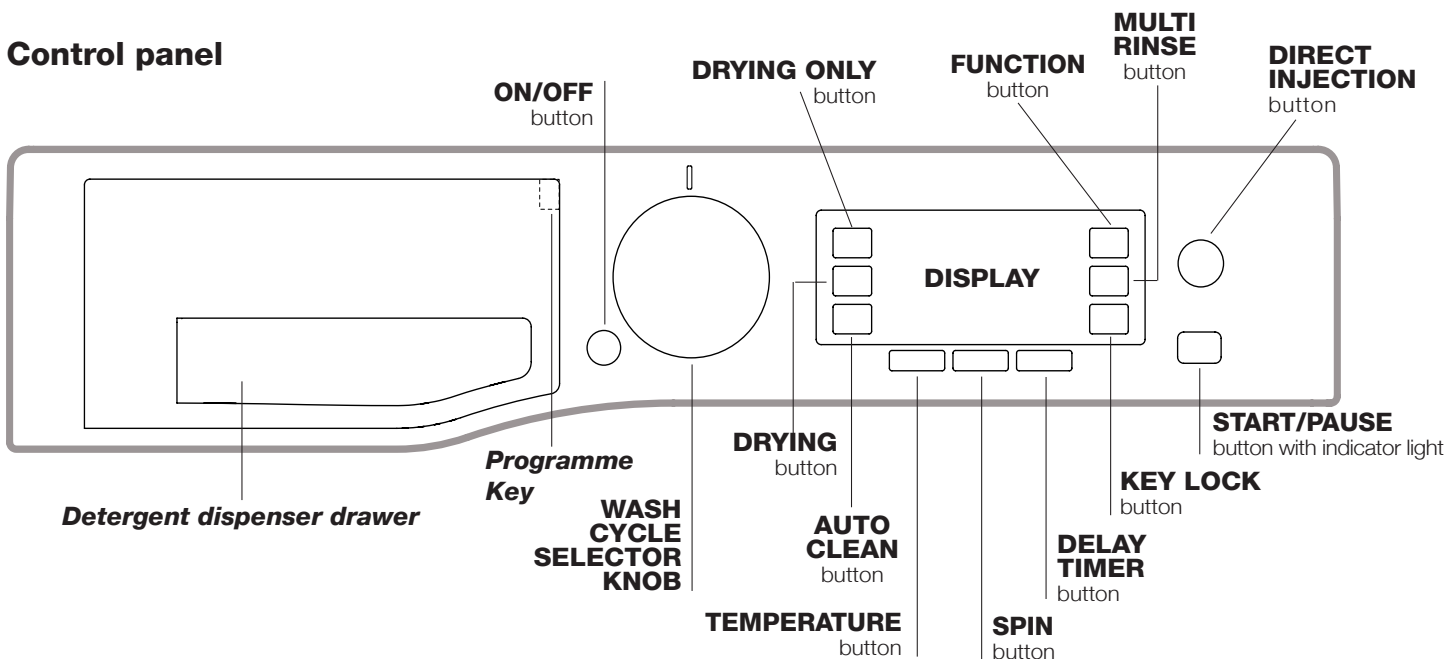


4. pull outwards using the tab as indicated in the figure, until the plastic tie-rod is freed from its stop position; pull downwards and open the door at the same time.
5. reposition the panel, making sure the hooks are securely in place before you push it onto the appliance.

Description of the washer-dryer


GB

Control panel



Detergent dispenser drawer: used to dispense detergents and washing additives (see “Detergents and laundry”).

Programme Key: the Programme Key inside the detergent dispenser shows all the available programmes together with a graphical guide on how to use the individual dispenser compartments.

ON/OFF button : press this briefly to switch the machine on or off. The START/PAUSE indicator light, which flashes slowly in a green colour shows that the machine is switched on. To switch off the washer-dryer during the wash cycle, press and hold the button for approximately 3 seconds; if the button is pressed briefly or accidentally the machine will not switch off. If the machine is switched off during a wash cycle, this wash cycle will be cancelled.


WASH CYCLE SELECTOR KNOB: used to set the desired wash cycle (see “Table of programmes and wash cycles”).

FUNCTION button: press the button to select the desired function. The corresponding indicator light on the display will switch on.


AUTO CLEAN button: press to clean the machine’s internal parts (see “Cleaning the washer-dryer”).

DIRECT INJECTION button: press to select the DIRECT INJECTION option.


MULTI RINSE button : press to select the desired rinse type.


SPIN button : press to reduce or completely exclude the spin cycle - the value is indicated on the display.


TEMPERATURE button : press to decrease the temperature: the value will be shown on the display.

DRYING button : press to decrease or exclude drying; the selected drying level or time will appear on the display.

DRYING ONLY button : press to run the drying cycle only.

KEY LOCK button : to **activate** the control panel lock, press and hold the button for approximately 2 seconds. When the display visualises “KEY LOCK ON” the control panel is locked (apart from the ON/OFF button). This means it is possible to prevent wash cycles from being modified accidentally, especially where there are children in the home. To **deactivate** the control panel lock, press and hold the button for approximately 2 seconds.

DELAY TIMER button : press to set a delayed start time for the selected wash cycle. The delay time will be shown on the display.

START/PAUSE button with indicator light: when the green indicator light flashes slowly, press the button to start a wash cycle. Once the cycle has started the indicator light will remain lit in a fixed manner. To pause the wash cycle, press the button again; the indicator light will flash in an orange colour. If the symbol  is not illuminated, the door may be opened. To start the wash cycle from the point at which it was interrupted, press the button again.

Standby mode

This washer-dryer, in compliance with new energy saving regulations, is fitted with an automatic standby system which is enabled after about 30 minutes if no activity is detected. Press the ON-OFF button briefly and wait for the machine to start up again.

Consumption in off-mode: 0,5 W

Consumption in Left-on: 8 W

Antimicrobial seal

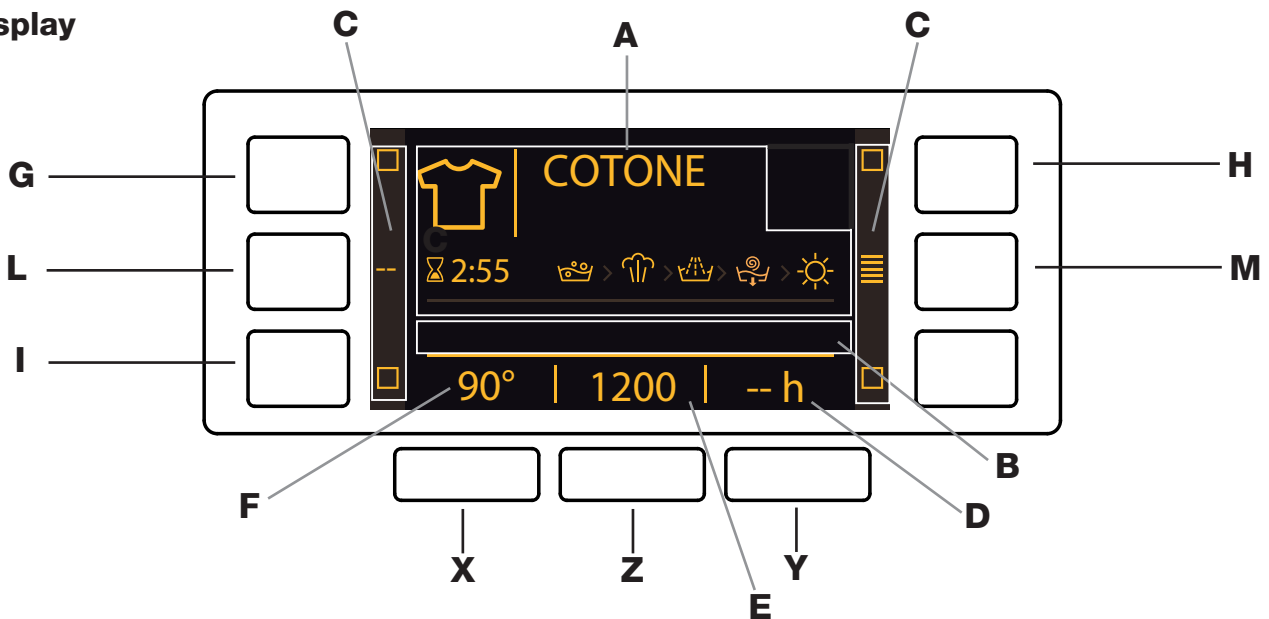
The seal around the porthole door is made from a special mixture ensuring antimicrobial protection, thus reducing bacterial proliferation up to 99.99%.

The seal contains zinc pyrithione, a biocidal substance which reduces the proliferation of harmful microbes (*) such as bacteria and mould prone to causing stains, unpleasant odours and product deterioration.

(*) **According to tests performed by the University of Perugia, Italy on:** *Staphylococcus aureus*, *Escherichia coli*, *Pseudomonas aeruginosa*, *Candida albicans*, *Aspergillus niger*, *Penicillium digitatum*.

In rare cases an allergic reaction may be caused by prolonged contact between seal and skin.

Display



The display is useful when programming the machine and provides a great deal of information.

The following will appear in area **A**: the icon and programme selected, the washing and drying phases and time remaining to the end of the cycle.

Area **B** will include the two intensity levels relative to the DIRECT INJECTION option.

The indicator lights relative to the available functions appear in area **C**.

Area **D** will have the time remaining to the start of the selected programme if the DELAY TIMER function was set.

String **E** shows the maximum spin speed value (this depends on the selected wash cycle); if the programme does not include the spin cycle, the dimly lit "--" symbol will appear in the area.

Area **F** will visualise the temperature value selectable on the basis of the set programme; if the temperature of the programme cannot be set, the area will show the symbol "--" dimly lit.

Door locked symbol

If the symbol is lit, this indicates that the washer-dryer door is blocked to prevent it from being opened accidentally. To prevent any damage from occurring, wait for the symbol to switch itself off before opening the appliance door.

N.B.: if the DELAY TIMER function has been activated, the door cannot be opened; pauses the machine by pressing the START/PAUSE button if you wish to open it.

! The first time the machine is switched on, you will be asked to select the language and the display will automatically show the language selection menu.

To select the desired language press the **X** and **Y** buttons; to confirm the selection press the **Z** button.


To change the language switch off the machine and press buttons **G**, **H**, **I** **simultaneously** until an alarm is heard: the language-selection menu will be displayed again.


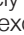
! To change the display luminosity, which by default is set to the highest value, switch the machine off then **simultaneously** press buttons **G**, **L** and **M** until the buzzer sounds. Press buttons **X** and **Y** to choose the desired level of luminosity then confirm by pressing button **Z**.

! During the wash cycle or when the DELAY TIMER function has been enabled, if the user does not interact with the display for 1 minute the "SCREEN SAVER" activates. To return to the previous window, simply press any button.

How to run a wash cycle or a drying cycle

GB

1. **SWITCH THE MACHINE ON.** Press the On/Off button ; the text HOTPOINT will appear on the display and the START/PAUSE indicator light will flash slowly in a green colour.
2. **LOAD THE LAUNDRY.** Open the porthole door. Load the laundry, making sure you do not exceed the maximum load value indicated in the table of programmes on the following page.
3. **MEASURE OUT THE DETERGENT.** Open the detergent dispenser drawer and pour the detergent into the relevant compartments as described in "Detergents and laundry".
4. **CLOSE THE DOOR.**
5. **SELECT THE WASH CYCLE.** Use the WASH CYCLE SELECTOR knob to select the desired wash cycle; the name of the wash cycle will appear on the display. A temperature and spin speed is set for each wash cycle; these may be adjusted. The duration of the cycle will appear on the display.
6. **CUSTOMISE THE WASH CYCLE.** Use the relevant buttons:

Modifying the temperature and/or spin speed. The machine automatically selects the maximum temperature and spin speed set for the selected wash cycle; these values cannot therefore be increased. The temperature can be decreased by pressing the  button, until the cold wash (the display will visualise the "--" symbol) setting is reached. The spin speed may be progressively reduced by pressing the  button, until it is completely excluded (the display will visualise the "--" symbol). If these buttons are pressed again, the maximum values are restored.

! Exception: if the 5 programme is selected, the temperature can be increased up to a value of 40°C.

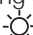
! Exception: if the 7 programme is selected, the temperature can be increased up to a value of 90°C.

! Exception: if the 9 programme is selected, the temperature can be increased up to a value of 60°C.

Setting a delayed start.

To set a delayed start for the selected programme, press the corresponding button repeatedly until the required delay period has been reached. To remove the delayed start function press the button until the text "-- h" appears on the display.

Setting the drying cycle.

The desired drying cycle type may be set by pressing the DRYING button  once or several times. Two options are available:

A - Based on the how damp the clothes are once they have been dried:

Iron: suitable for clothes which will need ironing afterwards. The remaining dampness softens creases, making them easier to remove.

Hanger: ideal for clothes which do not need to be dried fully.

Cupboard: suitable for laundry which can be put back in a cupboard without being ironed.

Extra: suitable for garments which need to be dried completely, such as sponges and bathrobes.


B - Based on a set time period: between **30** and **180** minutes. To exclude the drying phase press the relevant button until the text OFF appears on the display.

If your laundry load to be washed and dried is much greater than the maximum stated load, perform the wash cycle, and when the cycle is complete, divide the garments into groups and put some of them back in the drum. At this point, follow the instructions provided for a "Drying only" cycle. Repeat this procedure for the remainder of the load. A cooling-down period is always added to the end of each drying cycle.


Drying only

Press button  to perform the drying-only cycle.

After selecting the desired cycle (compatible with the type of garments), press button  to exclude the washing

phase and start the drying phase at the maximum level for the selected cycle. The drying level or time may be set and changed by pressing the drying button . (Not compatible with cycles 1-2-3-4 and 14).

Set the rinse type.

Option  makes it possible to select the desired rinse type for sensitive skin. Press the button once for the "Extra +1" level, which makes it possible to select an additional rinse after the standard cycle rinse and remove all traces of detergent. Press the button again for the "Extra +2" level, which makes it possible to select two additional rinses to the standard cycle rinses; it is recommended for very sensitive skin. When the button is pressed for the third time, the "Extra +3" level is set, thus allowing the selection of 3 rinses in addition to the standard cycle's rinses. The option - started with cycles at a temperature of 40°C - makes it possible to remove major allergens such as pollen, cat and dog hair. With cycles at a temperature higher than 40° a very good level of antiallergic protection is achieved. Press the button again to go back to the "Normal rinse" rinse type. If the current adjustment can be neither set nor changed, the display will show "No Selection" or "No Change".

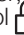

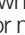
Modifying the cycle settings.


- Press the button to enable the function; the relevant indicator light on the display will light up.
- Press the button again to disable the function; the relevant indicator light on the display will switch off.

! If the selected function is incompatible with the set programme, the relevant indicator light will appear dimly lit; in addition, the incompatibility will be signalled by a buzzer (3 beeps) and the wording "No Selection" will appear on the display.

! If the selected function is incompatible with another previously set function, the wording "No Selection" will appear on the display and the function will not be enabled.

! The functions may affect the recommended load value and/or the duration of the cycle.

7. **START THE PROGRAMME.** Press the START/PAUSE button. The corresponding indicator light will become green, remaining lit in a fixed manner, and the door will be locked (the DOOR LOCKED symbol  will be on). During the wash cycle, the name of the phase in progress will appear on the display. To change a wash cycle while it is in progress, pause the washer-dryer using the START/PAUSE button (the START/PAUSE indicator light will flash slowly in an orange colour); then select the desired cycle and press the START/PAUSE button again. To open the door while a cycle is in progress, press the START/PAUSE button; if the DOOR LOCKED  symbol is switched off the door may be opened. Press the START/PAUSE button again to restart the wash cycle from the point at which it was interrupted.
8. **THE END OF THE WASH CYCLE.** This will be indicated by the text "CYCLE END" on the display; when the DOOR LOCKED  symbol switches off the door may be opened. Open the door, unload the laundry and switch off the machine.

! If you wish to cancel a cycle which has already begun, press and hold the  button. The cycle will be stopped and the machine will switch off.

Direct Injection





The washer-dryer is equipped with the innovative technology «Direct Injection» which pre-mixes water and detergent, thus immediately activating the detergent's cleaning principles. This active emulsion is directly introduced into the drum of the washer-dryer and penetrates the fibres with more efficacy in cleaning even heavily soiled garments at low temperatures, fully preserving colours and fabrics. The mode «Power» ensures the best cleaning performance and the mode «EcoEnergy» allows more energy saving.

Wash cycles and functions Hotpoint

ARISTON

GB

Table of wash cycles

Wash cycles	Description of the wash cycle	Max. temp. (°C)	Max. speed (rpm)	Drying	Detergents		Max. load (kg)	Cycle duration	
					Wash	Fabric softener			
ANTI CREASE									
1	Daily Mix Wash & Dry	40°	800	●	●	●	3	The duration of the wash cycle can be checked on the display.	
2	Shirts Wash & Dry	40°	1000	●	●	●	2		
3	Pre Iron	-	-	-	-	-	1,5		
4	Steam Refresh	-	-	-	-	-	2		
DAILY CLEAN									
5	Anti-Stain Turbo 45'	20° (Max. 40°C)	1200	●	●	●	4		
6	Anti-Stain Power 20°C	40°	1400	●	●	●	9		
7	Cotton: lightly soiled resistant and delicate colours.	40° (Max. 90°C)	1400	●	●	●	9		
8	Eco Cotton  (1-2): heavily soiled whites and resistant colours.	60°	1400	●	●	●	9		
9	Synthetics (3): lightly soiled resistant colours.	40° (Max. 60°C)	1000	●	●	●	4,5		
SPECIALS									
10	Multi Colour	40°	1400	●	●	●	9		
11	Ultra Delicates	30°	--	●	●	●	1		
12	Wool: for wool, cashmere, etc.	40°	800	●	●	●	2		
13	Sport	40°	600	●	●	●	4		
14	Fast 30' (**): to refresh lightly soiled garments quickly (not suitable for wool, silk and clothes which require washing by hand).	30°	800	●	●	●	3,5		
Partial Programmes									
	Rinse	-	1400	●	-	●	9		
	Spin + Pump out	-	1400	●	-	-	9		
	Pump out only *	-	--	-	-	-	9		

* If you select programme  and exclude the spin cycle, the machine will drain only.

** If a drying cycle is also programmed, the machine will run a "wash+dry" programme lasting 45' with maximum spin speed and a 1kg laundry load.

The length of cycle shown on the display or in this booklet is an estimation only and is calculated assuming standard working conditions. The actual duration can vary according to factors such as water temperature and pressure, the amount of detergent used, the amount and type of load inserted, load balancing and any wash options selected.


- 1) Test wash cycle in compliance with regulation EN 50229: set wash cycle 8 with a temperature of 60°C.
- 2) Long wash cycle for cottons: set programme 8 at temperature 40°C and press the DIRECT INJECTION button under "Power" mode.
- 3) Long wash cycle for synthetics: set wash cycle 9 with a temperature of 40°C.

Wash functions

! If the selected function is incompatible with the set programme, the relevant indicator light will appear dimly lit; in addition, the incompatibility will be signalled by a buzzer (3 beeps) and the wording "No Selection" will appear on the display.

! If the selected function is incompatible with another previously set function, the wording "No Selection" will appear on the display and the function will not be enabled.

Steam Hygiene

This option enhances washing performance by generating steam during the wash cycle to remove any bacteria from the fibres, which are treated at the same time. Place the laundry in the drum, choose a compatible programme and select option .

! The steam generated during the operation of the washing machine may cause the porthole door to become hazy.

Detergents and laundry

GB

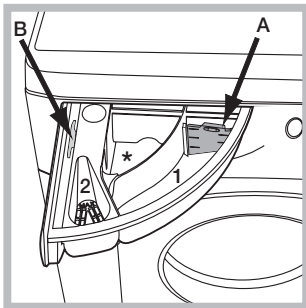
Detergent dispenser drawer

Good washing results also depend on the correct dose of detergent: adding too much detergent will not necessarily result in a more efficient wash, and may in fact cause a build up on the inside of your appliance and contribute to environmental pollution.

! Use powder detergent for white cotton garments, for pre-washing, and for washing at temperatures over 60°C.

! Follow the instructions given on the detergent packaging.

! Do not use hand washing detergents because these create too much foam.



Open the detergent dispenser drawer and pour in the detergent or washing additive, as follows.

! Do not pour detergent into the middle compartment (*).

compartment 1: Detergent for the wash cycle (powder or liquid)

If liquid detergent is used, it is recommended that the removable plastic partition **A** (supplied) be used for proper dosage. If powder detergent is used, place the partition into slot **B**.

compartment 2: Additives (fabric softeners, etc.)

The fabric softener should not overflow the grid.

Preparing the laundry

- Divide the laundry according to:
 - the type of fabric/the symbol on the label
 - the colours: separate coloured garments from whites.
- Empty all garment pockets and check the buttons.
- Do not exceed the listed values, which refer to the weight of the laundry when dry: see "Table of wash cycles".

How much does your laundry weigh?

- 1 sheet 400-500 g
- 1 pillow case 150-200 g
- 1 tablecloth 400-500 g
- 1 bathrobe 900-1200 g
- 1 towel 150-250 g

Special wash cycles

Daily Mix Wash & Dry use programme **1** to wash and dry mixed garments (cotton and synthetics). This cycle may be used to wash and dry loads of up to 3 kg; we recommend the use of liquid detergent.

The use of the steam in this programme is optimised to reduce the formation of creases on garments, making them easier to iron.

Shirts Wash & Dry: use programme **2** to wash and dry shirts and T-shirts in different fabrics and colours to ensure maximum care. This cycle may be used to wash and dry loads of up to 2 kg. To achieve optimum results, use liquid detergent and pre-treat cuffs, collars and stains. The use of the steam in this programme is optimised to reduce the formation of creases on garments, making them easier to iron.

Pre Iron: use this programme immediately before ironing; max. 1.5 kg load. The use of the steam in this programme is optimised to reduce the formation of creases on garments, making them easier to iron.

Steam Refresh: for refreshing garments, neutralised unpleasant odours and relaxing the fibres by delivering steam into the drum. The garments will be damp at the end of the cycle.

Anti-Stain Turbo 45': this cycle ensures excellent stain removal capacity even at 20°C in just 45 minutes. The temperature of this cycle can be increased up to 40°C.

Anti-Stain Power 20°C: this programme ensures maximum stain removal capacity with no need for pre-treatment at low temperatures, preserving fabrics and colours.

Multi Colour: for washing coloured cotton garments.

This programme is optimised to keep colours bright even after repeated washing.

Ultra Delicates: use programme **11** to wash very delicate garments having strasses or sequins.

We recommend turning the garments inside out before washing and placing small items into the special bag for washing delicates. Use liquid detergent on delicate garments for best results.

When selecting an exclusively time-based drying function, a drying cycle is performed at the end of the wash cycle that is particularly delicate, thanks to light handling and appropriate temperature control of the water jet.

The recommended durations are:

1 kg of synthetic garments --> 165 min

1 kg of synthetic and cotton garments --> 180 min

1 kg of cotton garments --> 180 min

The degree of dryness depends on the load and fabric composition.

Wool - Woolmark Apparel Care - Green:

the wool wash cycle of this machine has been approved by The Woolmark Company for the washing of wool garments labelled as "hand wash" provided that the products are washed according to the instructions on the garment label and those issued by the manufacturer of this washer-dryer.



Sport: for washing lightly soiled sports clothing (tracksuits, shorts, towels, etc.); for best results, we recommend not exceeding the maximum load indicated in the "Table of wash cycles". We recommend using liquid detergent, and adding the amount suitable for a half-load.

Load balancing system

Before every spin cycle, to avoid excessive vibrations and to distribute the load in a uniform manner, the drum rotates continuously at a speed which is slightly greater than the washing rotation speed. If, after several attempts, the load is not balanced correctly, the machine spins at a reduced spin speed. If the load is excessively unbalanced, the washer-dryer performs the distribution process instead of spinning. To encourage improved load distribution and balance, we recommend small and large garments are mixed in the load.

Your washer-dryer could fail to work. Before contacting the Technical Assistance Centre (see "Assistance"), make sure that the problem cannot be solved easily using the following list.

Problem:

Possible causes / Solutions:

The washer-dryer does not switch on.

- The appliance is not plugged into the socket fully, or is not making contact.
- There is no power in the house.

The wash cycle does not start.

- The washer-dryer door is not closed properly.
- The ON/OFF button has not been pressed.
- The START/PAUSE button has not been pressed.
- The water tap has not been opened.
- A delayed start has been set.

The washer-dryer does not take in water (the text "NO WATER, Turn tap on" appears on the display).

- The water inlet hose is not connected to the tap.
- The hose is bent.
- The water tap has not been opened.
- There is no water supply in the house.
- The pressure is too low.
- The START/PAUSE button has not been pressed.

The washer-dryer continuously takes in and drains water.

- The drain hose is not fitted at a height between 65 and 100 cm from the floor (see "Installation").
- The free end of the hose is under water (see "Installation").
- The wall drainage system is not fitted with a breather pipe.

If the problem persists even after these checks, turn off the water tap, switch the appliance off and contact the Assistance Service. If the dwelling is on one of the upper floors of a building, there may be problems relating to water drainage, causing the washer-dryer to fill with water and drain continuously. Special anti-draining valves are available in shops and help to avoid this inconvenience.

The washer-dryer does not drain or spin.

- The wash cycle does not include draining: some wash cycles require the drain phase to be started manually (see "Wash cycles and functions").
- The drain hose is bent (see "Installation").
- The drainage duct is clogged.

The washer-dryer vibrates a lot during the spin cycle.

- The drum was not unlocked correctly during installation (see "Installation").
- The washer-dryer is not level (see "Installation").
- The washer-dryer is trapped between cabinets and walls (see "Installation").

The washer-dryer leaks.

- The water inlet hose is not screwed on properly (see "Installation").
- The detergent dispenser drawer is blocked (for cleaning instructions, see "Care and maintenance").
- The drain hose is not fixed properly (see "Installation").

The machine is locked and the display flashes, indicating an error code (e.g. F-01, F-..).

- Switch off the machine and unplug it, wait for approximately 1 minute and then switch it back on again.
If the problem persists, contact the Technical Assistance Service.

There is too much foam.

- The detergent is not suitable for machine washing (it should display the text "for washer-dryers" or "hand and machine wash", or the like).
- Too much detergent was used.

The washer-dryer does not dry.

- The appliance is not plugged into the socket, or not enough to make contact.
- There has been a power failure.
- The appliance door is not shut properly.
- A Delay Timer has been set.
- DRYING is in the OFF position.

Service

GB

Before calling for Assistance:


- Check whether you can solve the problem alone (see “*Troubleshooting*”);
- Restart the programme to check whether the problem has been solved;
- If this is not the case, contact an authorised Technical Assistance Centre using the telephone number provided on the guarantee certificate.

! Always request the assistance of authorised technicians.

Have the following information to hand:

- the type of problem;
- the appliance model (Mod.);
- the serial number (S/N).

This information can be found on the data plate applied to the rear of the washer-dryer, and can also be found on the front of the appliance by opening the door.

!  Ten symbol przypomina o obowiązku zapoznania się z niniejszą instrukcją obsługi.

PL

PL

Polski

RDPD 96407 J

Spis treści

Instalacja, 14-15

Rozpakowanie i wypoziomowanie
Podłączenia hydrauliczne i elektryczne
Pierwszy cykl prania
Dane techniczne

Utrzymanie i konserwacja, 16

Odlączenie wody i prądu elektrycznego
Czyszczenie pralki
Czyszczenie szufladki na środki piorące
Konserwacja okrągłych drzwiczek i bębna
Czyszczenie pompy
Kontrola przewodu doprowadzającego wodę

Zalecenia i środki ostrożności, 17

Ogólne zasady bezpieczeństwa
Utylizacja
Ręczne otwieranie okrągłych drzwiczek

Opis pralki, 18-19

Panel sterowania
Wyświetlacz

Jak wykonać cykl prania lub suszenie, 20

Programy i funkcje, 21

Tabela programów
Funkcje prania

Środki piorące i bielizna, 22

Szufladka na środki piorące
Przygotowanie bielizny
Programy specjalne
System równoważenia ładunku

Nieprawidłowości w działaniu i sposoby ich usuwania, 23

Serwis Techniczny, 24

Hotpoint
ARISTON

Instalacja

PL

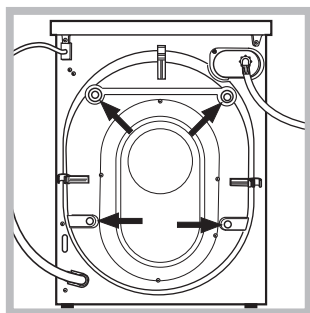
! Należy zachować niniejszą książeczkę, aby móc z niej skorzystać w każdej chwili. W przypadku sprzedaży, odstąpienia lub przeniesienia pralki w inne miejsce należy zadbać o przekazanie instrukcji wraz z nią, aby nowy właściciel mógł się zapoznać z działaniem urządzenia i z dotyczącymi go ostrzeżeniami.

! Należy uważnie przeczytać instrukcję obsługi: zawiera ona ważne informacje dotyczące instalacji oraz właściwego i bezpiecznego użytkowania pralki.

Rozpakowanie i wypoziomowanie

Rozpakowanie

1. Rozpakować pralkę.
2. Sprawdzić, czy nie doznała ona uszkodzeń w czasie transportu. W przypadku stwierdzenia uszkodzeń, nie podłączać pralki i skontaktować się ze sprzedawcą.



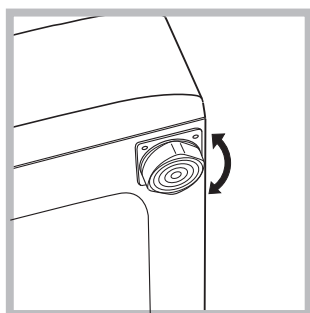
3. Odkręcić 4 śruby zabezpieczające urządzenie na czas transportu oraz zdjąć gumowy element z podkładką, znajdujący się w tylnej części pralki (patrz rysunek).

4. Zatkać otwory przy pomocy plastikowych zaślepek, znajdujących się w wyposażeniu urządzenia.

5. Zachować wszystkie części: w razie konieczności przewiezienia pralki w inne miejsce, powinny one zostać ponownie zamontowane.

! Części opakowania nie są zabawkami dla dzieci.

Poziomowanie



1. Ustawić pralkę na płaskiej i twardej podłodze, nie opierając jej o ściany, meble itp.

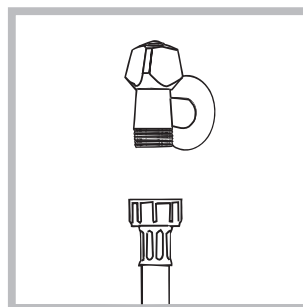
2. Jeśli podłoga nie jest idealnie pozioma, należy skompensować nierówności,

odkręcając lub dokręcając przednie nóżki (patrz rysunek); kąt nachylenia, zmierzony na górnym blacie pralki, nie powinien przekraczać 2°.

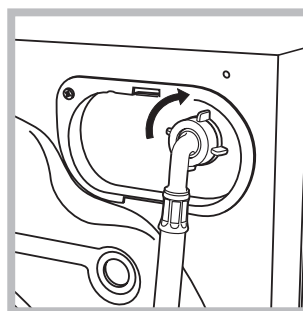
Staranne wypoziomowanie pralki zapewnia jej stabilność i zapobiega wibracjom, hałasowi oraz przesuwaniu się urządzenia w czasie pracy. W przypadku ustawienia na dywanie lub wykładzinie dywanowej, należy tak wyregulować nóżki, aby pod pralką pozostawała wolna przestrzeń niezbędna dla wentylacji.

Podłączenia hydrauliczne i elektryczne

Podłączenie przewodu doprowadzającego wodę



1. Podłączyć przewód zasilający poprzez przykręcenie go do zaworu zimnej wody z końcówką gwintowaną (patrz rysunek): Przed podłączeniem spuszczać wodę do momentu, aż stanie się ona całkowicie przezroczysta.



2. Podłączyć do urządzenia przewód doprowadzający wodę, przykręcając go do odpowiedniego przyłącza wody, znajdującego się w tylnej części pralki, z prawej strony u góry (patrz rysunek).

3. Zwrócić uwagę, aby przewód nie był pozaginany ani przygnieciony.

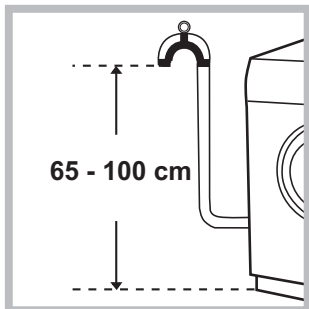
! Ciśnienie wody w kurku powinno mieścić się w przedziale podanym w tabeli Danych technicznych (patrz strona obok).

! Jeśli długość przewodu doprowadzającego wodę jest niewystarczająca, należy zwrócić się do specjalistycznego sklepu lub do autoryzowanego technika.

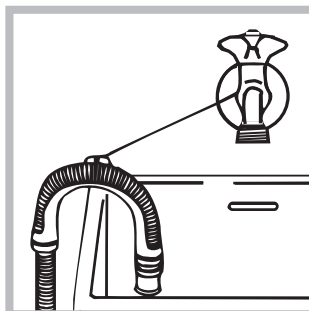
! Nigdy nie instalować przewodów, które były już używane.

! Stosować przewody znajdujące się w wyposażeniu urządzenia.

Podłączenie przewodu odpływowego



Podłączyć przewód odpływowy, nie zginając go, do rury ściekowej lub do otworu odpływowego w ścianie, które powinny się znajdować na wysokości od 65 do 100 cm od podłogi; albo oprzeć go na brzegu zlewu lub wanny, przymocowując do kranu prowadnik, znajdujący się w wyposażeniu pralki (patrz rysunek). Wolny koniec przewodu odpływowego nie powinien być zanurzony w wodzie.



! Odradza się używanie rur przedłużających; jednak jeśli jest to konieczne, przedłużacz powinien mieć taki sam przekrój, jak oryginalna rura, a jego długość nie powinna przekraczać 150 cm.

Podłączenie elektryczne

Przed włożeniem wtyczki do gniazdka elektrycznego należy się upewnić, czy:

- gniazdko posiada uziemienie i jest zgodne z obowiązującymi przepisami;
- gniazdko jest w stanie wytrzymać maksymalne obciążenie mocy urządzenia, wskazane w tabeli Danych technicznych (patrz obok);
- napięcie zasilania mieści się w wartościach wskazanych w tabeli Danych technicznych (patrz obok);
- gniazdko pasuje do wtyczki pralki. W przeciwnym razie należy wymienić gniazdko lub wtyczkę.

! Nie należy instalować pralki na otwartym powietrzu, nawet w osłoniętym miejscu, gdyż wystawienie urządzenia na działanie deszczu i burz jest bardzo niebezpieczne.

! Po zainstalowaniu pralki gniazdko elektryczne powinno być łatwo dostępne.

! Nie używać przedłużaczy ani rozgałęźników.



! Kabel nie powinien być pozginany ani przycięciony.

! Przewód zasilania elektrycznego może być wymieniany wyłącznie przez autoryzowanych techników.

Uwaga! Producent nie ponosi żadnej odpowiedzialności, jeśli powyższe zasady nie będą przestrzegane.

Pierwszy cykl prania

Po zainstalowaniu pralki, przed przystąpieniem do jej użytkowania, należy wykonać jeden cykl prania ze środkiem piorącym, ale bez wsadu, nastawiając program samoczyszcze (patrz "Czyszczenie pralki").

Dane techniczne	
Model	RDPD 96407 J
Wymiary	szerokość cm 59,5 wysokość cm 85 głębokość cm 54
Pojemność	od 1 do 9 kg dla prania od 1 do 6 kg dla suszenia
Dane prądu elektrycznego	dane techniczne umieszczone są na tabliczce na maszynie
Dane sieci wodociągowej	Maksymalne ciśnienie 1 MPa (10 barów) ciśnienie minimalne 0,05 MPa (0,5 barów) pojemność bębna 58 litrów
Szybkość wirowania	do 1400 obrotów na minutę
Programy kontrolne zgodnie z przepisami EN 50229	pranie: program 8; temperatura 60°C; wykonane przy 9 kg załadowanej bielizny. suszenie: suszenie większy ładunku (6kg) bielizny należy przeprowadzać wybierając poziom suszenia "Extra". Suszenie pozostałej części ładunku należy przeprowadzać wybierając poziom suszenia "Extra": ładunek powinien składać się z 3 prześcieradeł, 2 poszewka i 1 ręczników.
	Urządzenie to zostało wyprodukowane zgodnie z następującymi przepisami CE: - 2004/108/CE (o Kompatybilności Elektromagnetycznej) - 2012/19/EU (WEEE) - 2006/95/CE (o Niskim Napięciu)
	
Aaas (dB(A) re 1 pW)	Pranie: 56 Wirowanie: 82 Suszenie: 61

Utrzymanie i konserwacja

PL


Odlączenie wody i prądu elektrycznego

- Zamknąć kurek dopływu wody po każdym praniu. W ten sposób zmniejsza się zużycie instalacji hydraulicznej pralki oraz eliminuje się niebezpieczeństwo wycieków.
- Przed przystąpieniem do czyszczenia pralki oraz do czynności konserwacyjnych wyjąć wtyczkę z gniazdka.

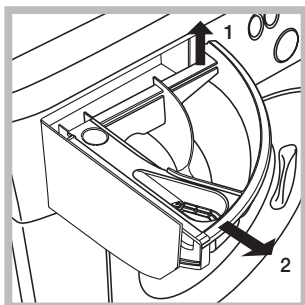
Czyszczenie pralki

- Obudowę zewnętrzną i gumowe części pralki można myć ściereczką zmoczoną w letniej wodzie z mydłem. Nie stosować rozpuszczalników ani ściernych środków czyszczących.
- Pralka jest wyposażona w program samoczyszczenia części wewnętrznych, który należy przeprowadzać **nie wprowadzając niczego do kosza pralki**.

Środek piorący (w ilości równej 10% ilości zalecanej dla lekko zabrudzonej odzieży) lub dodatki przeznaczone specjalnie do czyszczenia pralek, mogą zostać użyte jako środki pomocnicze podczas programu czyszczenia. Zaleca się przeprowadzanie programu czyszczenia co 40 cykli prania.

W celu włączenia programu należy nacisnąć przycisk  przez 5 sekund, a następnie nacisnąć przycisk START/PAUZA: rozpocznie się wykonywanie programu trwające ok. 70 minut.

Czyszczenie szufladki na środki piorące



Wysunąć szufladkę, unosząc ją lekko ku górze i wyciągając na zewnątrz (*patrz rysunek*). Wyplukać szufladkę pod bieżącą wodą. Czynność tę należy wykonywać stosunkowo często.

Konserwacja okrągłych drzwiczek i bębna

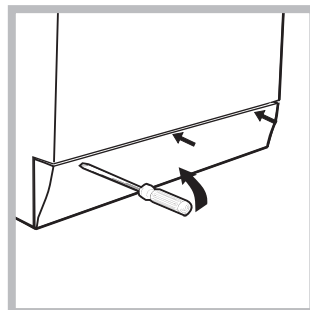
- Drzwiczki pralki należy zawsze pozostawiać uchylone, aby zapobiec tworzeniu się nieprzyjemnych zapachów.

Czyszczenie pompy

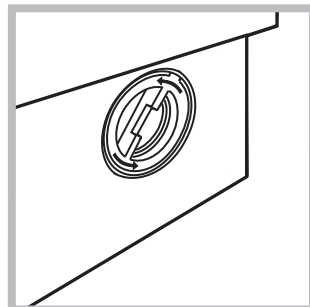
Pralka wyposażona jest w pompę samoczyszczącą, która nie wymaga zabiegów konserwacyjnych. Może się jednak zdarzyć, że drobne przedmioty (monety, guziki) wpadną do komory wstępnej zabezpieczającej pompę, która znajduje się w jej dolnej części.

! Należy się upewnić, że cykl prania został zakończony i wyjąć wtyczkę z gniazdka.

Aby dostać się do komory wstępnej:



1. zdjąć panel pokrywy z przedniej strony pralki przy pomocy śrubokrętu (*patrz rysunek*);



2. odkręcić pokrywę, obracając ją w kierunku przeciwnym do ruchu wskazówek zegara (*patrz rysunek*): wypłynięcie niewielkiej ilości wody jest normalnym zjawiskiem;

3. dokładnie wyczyścić wnętrze;
4. ponownie przykręcić pokrywę;
5. ponownie założyć panel upewniwszy się, przed dociśnięciem go do maszyny, czy zatrzaski zostały umieszczone w odpowiednich otworach.

Kontrola przewodu doprowadzającego wodę

Przynajmniej raz w roku należy sprawdzić przewód doprowadzający wodę. Jeśli widoczne są na nim pęknięcia i rysy, należy go wymienić: w trakcie prania duże ciśnienie może bowiem spowodować jego nagłe zerwanie.

! Nigdy nie instalować już używanych przewodów.

! Pralka została zaprojektowana i wyprodukowana zgodnie z międzynarodowymi normami bezpieczeństwa. Niniejsze ostrzeżenia zostały tu zamieszczone ze względów bezpieczeństwa i należy je uważnie przeczytać.

Ogólne zasady bezpieczeństwa

- Urządzenie to zostało zaprojektowane wyłącznie do użytkowania w warunkach domowych.
- Z niniejszego urządzenia mogą korzystać dzieci powyżej 8 roku życia i osoby o ograniczonych zdolnościach fizycznych, zmysłowych bądź umysłowych, jak również osoby nieposiadające doświadczenia lub znajomości urządzenia, jeśli znajdują się one pod nadzorem innych osób lub jeśli zostały pouczone na temat bezpiecznego sposobu użycia urządzenia oraz zdają sobie sprawę ze związanych z nim zagrożeń. Dzieci nie powinny bawić się urządzeniem. Prace związane z czyszczeniem i konserwacją nie mogą być wykonywane przez dzieci, jeśli nie są one nadzorowane.
 - Nie suszyć ubrań niewypranych.
 - Odzież, która została zabrudzona takimi substancjami, jak olej jadalny, aceton, alkohol, benzyna, kerosen, odplamiacze, terpentyna, woski i środki usuwające wosk, powinna przed rozpoczęciem suszenia zostać wyprana w gorącej wodzie z dużą ilością detergentów.
 - Zabronione jest suszenie w suszarce takich rzeczy, jak guma piankowa (pianka lateksowa), czepki prysznicowe, materiały wodoodporne, ubrania podgumowane oraz ubrania i poduszki z wkładkami z gumy piankowej.
 - Środki zmiękczające tkaniny i podobne produkty należy stosować zgodnie z instrukcjami producenta.
 - Końcowa część cyklu suszenia jest przeprowadzana bez ogrzewania (cykl chłodzenia), co gwarantuje, że suszone ubrania nie ulegną zniszczeniu.**UWAGA:** Nie należy wyłączać suszarki przed zakończeniem programu suszenia. Jeśli do tego dojdzie, należy szybko wyjąć wszystkie ubrania i rozwieść je, tak aby mogły szybko się ochłodzić.
- Nie dotykać pralki stojąc przy niej bosy lub mając mokre lub wilgotne ręce albo stopy.
- Nie wyjmować wtyczki z gniazdka ciągnąc za kabel, lecz trzymając za wtyczkę.
- Nie dotykać usuwanej wody, gdyż może ona osiągać wysokie temperatury.
- W żadnym wypadku nie otwierać drzwiczek pralki na siłę: grozi to uszkodzeniem mechanizmu zabezpieczającego drzwiczki przed przypadkowym otwarciem.
- W razie wystąpienia usterki nie należy w żadnym wypadku próbować dostać się do wewnętrznych części pralki z zamiarem samodzielnego dokonania naprawy.
- Zawsze uważać, aby dzieci nie zbliżyły się do pracującej pralki.
- Jeśli trzeba maszynę przestawić muszą to zrobić dwie lub trzy osoby przy zachowaniu jak największej ostrożności. Nigdy nie należy tego robić samemu, gdyż urządzenie jest bardzo ciężkie.
- Przed włożeniem bielizny sprawdzić, czy bęben jest pusty.
- W trakcie suszenia drzwiczki nagrzewają się.
- Nie suszyć bielizny czyszczonej przy pomocy łatwopalnych rozpuszczalników (np. trichloroetylen).
- Nie suszyć gumy gąbczastej ani podobnych elastomerów.

- Upewnić się, by w trakcie suszenia kurek wody był odkręcony.
- Wyjąć z kieszeni wszystkie przedmioty, takie jak np. zapalniczki i zapalki.
- Dzieci poniżej 3 roku życia nie powinny przebywać w pobliżu suszarki, jeśli nie są cały czas nadzorowane.

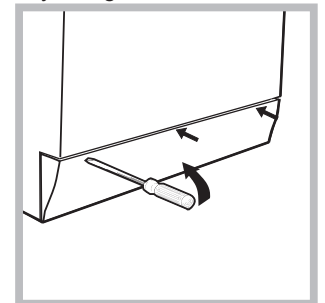
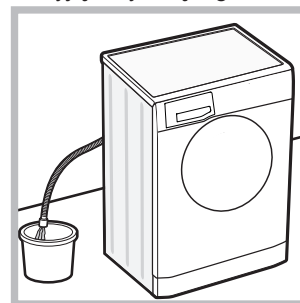
Utylizacja

- Utylizacja opakowania: stosować się do lokalnych przepisów, dzięki temu opakowanie będzie mogło zostać ponownie wykorzystane.
- Europejska Dyrektywa 2012/19/EU dotycząca Zużytych Elektrycznych i Elektronicznych Urządzeń zakłada zakaz pozbywania się starych urządzeń domowego użytku jako nieposortowanych śmieci komunalnych. Zużyte urządzenia muszą być osobno zbierane i sortowane w celu zoptymalizowania odzyskania oraz ponownego przetworzenia pewnych komponentów i materiałów. Pozwala to ograniczyć zanieczyszczenie środowiska i pozytywnie wpływa na ludzkie zdrowie. Przekreślony symbol „kosza” umieszczony na produkcie przypomina klientowi o obowiązku specjalnego sortowania. Konsumenty powinni kontaktować się z władzami lokalnymi lub sprzedawcą w celu uzyskania informacji dotyczących postępowania z ich zużytymi urządzeniami gospodarstwa domowego.

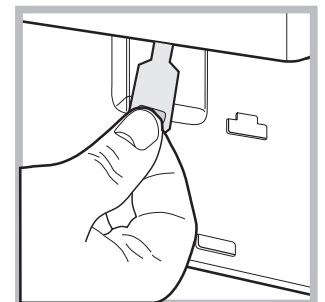
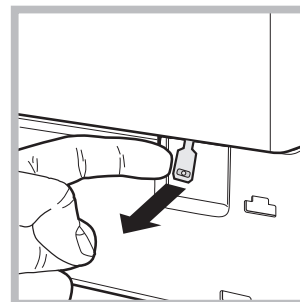
Ręczne otwieranie okrągłych drzwiczek

Jeśli z powodu przerwy w dostawie energii elektrycznej nie jest możliwe otwarcie okrągłych drzwiczek, w celu wyjęcia i rozwieszenia prania należy wykonać następujące czynności:

1. wyjąć wtyczkę z gniazdka elektrycznego.



2. sprawdzić, czy poziom wody wewnątrz maszyny znajduje się poniżej poziomu otwarcia drzwiczek; w przeciwnym wypadku usunąć nadmiar wody przez przewód odpływowy, zbierając ją do wiaderka w sposób wskazany na rysunku.
3. zdjąć panel pokrywy z przedniej strony pralki przy pomocy śrubokrętu (patrz rysunek).

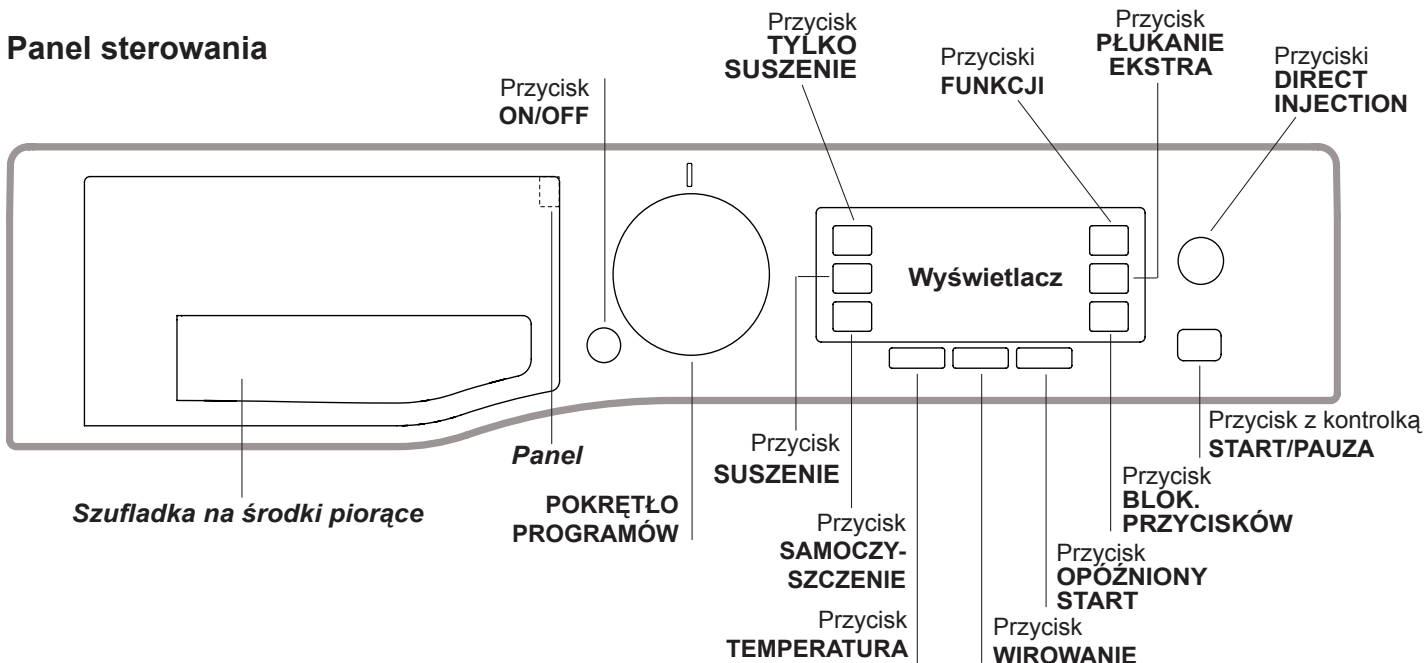


4. pociągnąć na zewnątrz klapkę wskazaną na rysunku, aż do wyzwolenia się z zacisku plastikowego zaczepu; następnie pociągnąć go w dół i równocześnie otworzyć drzwiczki.
5. ponownie założyć panel upewniwszy się, przed dociśnięciem go do maszyny, czy zatrzaski zostały umieszczone w odpowiednich otworach.

Opis pralki


PL

Panel sterowania



Szufflaka na środki piorące: do dozowania środków piorących i dodatków (patrz „Środki piorące i bielizna”).

Panel: w szufflance na środki piorące znajduje się panel, na którym przedstawiono wszystkie dostępne programy, wraz z oznaczeniami graficznymi informującymi na temat sposobu użytkowania poszczególnych przegródek szufflaski.

Przycisk **ON/OFF** : nacisnąć krótko przycisk w celu włączenia lub wyłączenia maszyny. Kontrolka START/PAUZA, która pulsuje powoli w kolorze zielonym wskazuje, że maszyna jest włączona. W celu wyłączenia pralki podczas prania konieczne jest dłuższe przytrzymanie naciśniętego przycisku, przez około 3 sek.; krótkie lub przypadkowe naciśnięcie nie wystarczy do wyłączenia maszyny. Wyłączenie maszyny podczas trwającego prania anuluje program prania.


POKRĘTŁO PROGRAMÓW: w celu ustawieniażądanego programu (patrz “Tabela programów”).

Przyciski **FUNKCJI**: nacisnąć przycisk w celu wybrania potrzebnej funkcji. Na wyświetlaczu zaświeci się odpowiednia kontrolka.


Przyciski **SAMOCZYSZCZENIE**: nacisnąć, aby przeprowadzić czyszczenie wewnętrznych części maszyny (patrz “Czyszczenie pralki”).

Przycisk **DIRECT INJECTION**: nacisnąć, aby wybrać opcję DIRECT INJECTION.

Przycisk **PŁUKANIE EKSTRA** : nacisnąć w celu wybraniażądanego rodzaju płukania.

Przycisk **WIROWANIE** : nacisnąć w celu zmniejszenia lub całkowitego wyłączenia wirówki – wartość ukazana zostanie na wyświetlaczu.

Przycisk **TEMPERATURA** : nacisnąć w celu zmniejszenia temperatury: wartość zostaje wyświetlona na ekranie.


Przycisk **SUSZENIE** : należy przycisnąć, aby zmniejszyć lub wyłączyć suszenie; poziom lub czas wybranego suszenia zostanie wyświetlony na wyświetlaczu.

Przycisk **TYLKO SUSZENIE** : nacisnąć, aby wykonać wyłącznie fazę suszenia.

Przycisk **BLOK. PRZYCISKÓW** : w celu uruchomienia lub wyłączenia blokady panelu sterowania należy

przytrzymać naciśnięty przycisk przez około 2 sekundy. Gdy na wyświetlaczu pojawi się napis „BLOK. PRZYCISKÓW WŁĄCZONA”, panel sterowniczy jest zablokowany (z wyjątkiem przycisk ON/OFF). W ten sposób uniemożliwia się dokonywanie przypadkowych zmian w programach, zwłaszcza, jeśli w domu obecne są dzieci. W celu wyłączenia blokady panelu sterowania należy przytrzymać naciśnięty przycisk przez około 2 sekundy.

Przycisk **OPOŹNIONY START** : nacisnąć w celu ustawienia opóźnionego uruchomienia wybranego programu. Opóźnienie wyświetlone zostanie na ekranie.

Przycisk z kontrolką **START/PAUZA**: kiedy zielona kontrolka pulsuje powoli, nacisnąć przycisk w celu uruchomienia prania. Po uruchomieniu cyklu kontrolka świeci w sposób ciągły. W celu wybrania pauzy w praniu należy nacisnąć ponownie przycisk, kontrolka zacznie pulsować w kolorze pomarańczowym. Jeśli symbol  nie świeci się, można otworzyć drzwiczki. W celu ponownego uruchomienia prania od miejsca, w którym zostało przerwane, należy ponownie nacisnąć przycisk.

Funkcja stand by

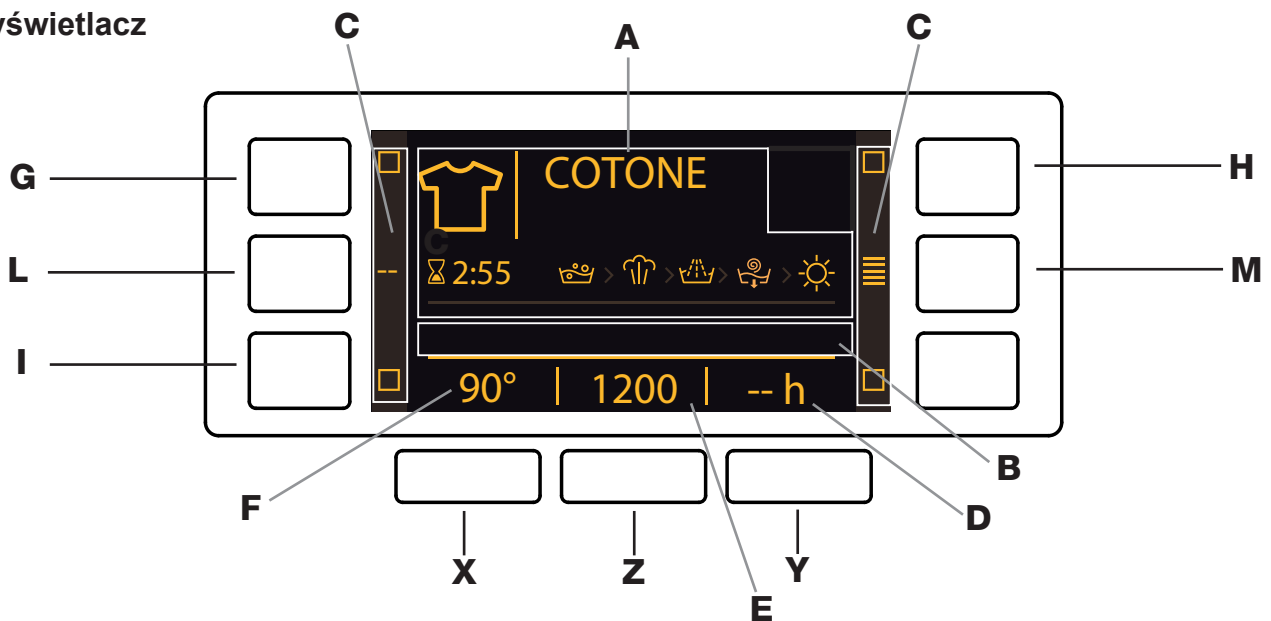
Pralka ta, w myśl nowych norm europejskich związanych z oszczędnością elektryczną, posiada system auto wyłączenia (stand by), który włącza się po 30 minutach nie użytkowania. Ponownie lekko wcisnąć przycisk ON/OFF i poczekać, aż pralka ponownie włączy się.
Zużycie w trybie wyłączenia: 0,5 W
Zużycie w trybie czuwania: 8 W

Uszczelka przeciwdrobnoustrojowa

Uszczelka drzwiczek jest wykonana ze specjalnej mieszanki, będącej w stanie zagwarantować ochronę przeciwdrobnoustrojową poprzez redukcję namnażania bakterii do 99,99%. Uszczelka drzwiczek zawiera pirytyonian cynku, będącego substancją biobójczą, która redukuje namnażanie szkodliwych drobnoustrojów (*), takich jak bakterie i pleśń, mogących powodować powstawanie plam, nieprzyjemnych zapachów oraz uszkodzeń urządzenia.
(* Zgodnie z badaniami przeprowadzonymi przez Uniwersytet w Perugii na: *Staphylococcus aureus*, *Escherichia coli*, *Pseudomonas aeruginosa*, *Candida albicans*, *Aspergillus niger*, *Penicillium digitatum*.)

W rzadkich przypadkach przedłużający się kontakt z uszczelką może spowodować reakcję alergiczną skóry.

Wyświetlacz



Wyświetlacz potrzebny jest w celu programowania maszyny i dostarcza wielu informacji.

W obszarze **A** jest wyświetlona ikona i wybrany program, fazy prania i suszenia oraz czas pozostały do zakończenia cyklu.

W obszarze **B** zostają wyświetlone dwa poziomy intensywności związane z funkcją DIRECT INJECTION.

W obszarach **C** widoczne są kontrolki odnoszące się do dostępnych funkcji.

W obszarze **D** zostaje wyświetlony czas pozostały do uruchomienia wybranego programu, w przypadku, gdy ustawiono OPÓŹNIONY START.

W wierszu **E** wyświetlana jest maksymalna wartość szybkości wirówki, jaką maszyna może uzyskać w przypadku wybranego programu; jeśli program nie przewiduje ustawienia wirówki, w obszarze zostanie wyświetlony symbol "--" o niskiej jasności.

W obszarze **F** wyświetlana jest maksymalna wartość temperatury, jaką można wybrać w zależności od wybranego programu, jeśli program nie przewiduje ustawiania temperatury, w obszarze zostanie wyświetlony symbol "--" o niskiej jasności.

Symbol **zablokowanych drzwiczek**

Zapalony symbol oznacza, że okrągłe drzwiczki pralki są zablokowane, aby zapobiec przypadkowemu ich otwarciu. Aby uniknąć uszkodzenia pralki, należy odczekać, aż symbol ten zgaśnie, zanim przystąpi się do otwierania drzwiczek pralki.

Uwaga: jeśli aktywna jest funkcja OPÓŹNIONY START drzwiczek nie można otworzyć. W celu ich otwarcia należy ustawić maszynę w pauzie poprzez naciśnięcie przycisku START/PAUZA.

! Podczas pierwszego uruchomienia wymagane będzie dokonanie wyboru języka a wyświetlacz ustawi się automatycznie na menu wyboru języka.

W celu wybraniażądanego języka nacisnąć przyciski **X** i **Y**, dla potwierdzenia wyboru nacisnąć przycisk **Z**.

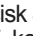
Aby zmienić język, należy wyłączyć urządzenie, nacisnąć równocześnie przyciski **G**, **H**, **I**, aż do usłyszenia sygnału dźwiękowego, wyświetli się menu wyboru języka.



! W celu zmiany jasności wyświetlacza, która fabrycznie ustawiona jest na najwyższy poziom, należy wyłączyć urządzenie, nacisnąć równocześnie przyciski **G**, **L**, **M** aż do usłyszenia sygnału dźwiękowego. Nacisnąć przyciski **X** i **Y**, aby wybrać żądany poziom jasności i potwierdzić naciskając przycisk **Z**.

! Podczas cyklu prania lub gdy ustawi się OPÓŹNIONY START, jeśli nie używa się wyświetlacza przez 1 minutę, włącza się „WYGASZACZ EKRANU”. Aby powrócić do poprzednio wyświetlanego ekranu, wystarczy nacisnąć którykolwiek z przycisków.

Jak wykonać cykl prania lub suszenie

PL

- WŁĄCZENIE MASZYNY.** Nacisnąć przycisk , na wyświetlaczu pojawi się napis HOTPOINT, kontrolka START/PAUZA zacznie powoli pulsować w kolorze zielonym.
- WKLADANIE BIELIZNY.** Otworzyć szklane drzwiczki. Włożyć bieliznę uważając, aby nie przekroczyć wielkości wsadu wskazanej w tabeli programów na następnej stronie.
- DOZOWANIE ŚRODKA PIORĄCEGO.** Wysunąć szufladkę i wsypać detergent do odpowiednich komór w sposób wyjaśniony w „Środki piorące i bielizna”.
- ZAMKNAĆ DRZWICZKI.**
- WYBÓR PROGRAMU.** Przy pomocy pokrętki PROGRAMY wybrać żądany program, nazwa programu pojawi się na wyświetlaczu; z nim powiązana jest temperatura oraz prędkość wirowania, które mogą zostać zmienione. Na wyświetlaczu pojawi się czas trwania cyklu.
- PERSONALIZACJA CYKLU PRANIA.** Przy pomocy odpowiednich przycisków:

Zmienić temperaturę i/lub wirówkę. Maszyna wybierze automatycznie temperaturę oraz wirówkę maksymalne przewidziane dla danego programu, dlatego nie mogą one być zwiększane. Poprzez naciśnięcie przycisku  stopniowo zmniejsza się temperaturę aż do prania w zimnej wodzie (na wyświetlaczu widoczny jest symbol “--”). Naciskając przycisk  stopniowo zmniejsza się wirówkę aż do jej wyłączenia (na wyświetlaczu widoczny jest symbol “--”). Dodatkowe naciśnięcie przycisków przywróci maksymalne wartości przewidywane.

! Wyjątek: wybierając program 5 temperaturę można podnieść aż do 40°.


! Wyjątek: wybierając program 7 temperaturę można podnieść aż do 90°.

! Wyjątek: wybierając program 9 temperaturę można podnieść aż do 60°.

Ustawienie opóźnionego rozpoczęcia.

W celu ustawienia opóźnionego rozpoczęcia wybranego programu należy naciskać odpowiedni przycisk aż do osiągnięcia żadanego czasu opóźnienia. W celu usunięcia opóźnionego uruchomienia należy naciskać przycisk aż do pojawienia się napisu “-- h”.

Ustawianie suszenia

Naciskając jeden raz lub kilka razy przycisk SUSZENIE , ustawia się żądany rodzaj suszenia. Przewidziane są dwie możliwości:

A - Na podstawie poziomu żadanego suszenia:

Prasowanie: wskazany dla bielizny, która będzie prasowana. Poziom pozostałej wilgotności zmniejsza zgięcia i ułatwia ich usunięcie.

Wieszanie: Idealny dla tej bielizny, która wymaga kompletnego prasowania.

Składanie: Odpowiedni dla bielizny, która ma być ułożona w szafie bez jej prasowania.




Extra: Odpowiedni dla bielizny, które wymagają całkowitego wysuszenia, czyli taka jak gąbki czy szlafroki.

B - Zależnie od czasu: od **30** do **180** minut.


Aby wyłączyć suszenie, należy przytrzymać wciśnięty odpowiedni przycisk aż do pojawienia się na wyświetlaczu napisu OFF.

Jeśli wyjątkowo ilość bielizny do prania i suszenia przewyższa maksymalny przewidziany ładunek, należy wykonać pranie, a po zakończeniu programu podzielić ładunek i włożyć do bębna tylko jego część. Dalej postępować według instrukcji dotyczących opcji „**Tylko suszenie**”. Powtórzyć te same czynności dla pozostałej części bielizny. Zawsze po zakończeniu suszenia wykonywane jest krótkie chłodzenie bielizny.

Tylko suszenie

Nacisnąć przycisk , aby przeprowadzić samo suszenie. Po wybraniu żadanego programu, kompatybilnego z rodzajem bielizny, naciśnięcie przycisku  spowoduje ominięcie etapu prania i włączenie samego suszenia o najwyższym poziomie dostępnym dla wybranego programu. Można zmienić i ustawić poziom lub czas suszenia, naciskając przycisk suszenia  (Nie jest to możliwe dla programu 1-2-3-4 i 14).

Ustawić rodzaj płukania.

Opcja  umożliwia wybranie rodzaju płukania przeznaczonego do jak największej ochrony delikatnej skóry. Po pierwszym naciśnięciu przycisku, zostaje ustawiony poziom „Extra +1”, który pozwala wybrać dodatkowe płukanie, oprócz standardowego, w celu usunięcia wszelkich pozostałości detergentu. Po drugim naciśnięciu przycisku, zostaje ustawiony poziom „Extra +2”, który pozwala wybrać dwa dodatkowe płukania, oprócz standardowego, w celu jak najlepszej ochrony delikatnej skóry. Naciskając po raz trzeci na przycisk ustawia się poziom „Extra +3”, który umożliwia wybranie 3 dodatkowych płukań oprócz tych, które przewiduje dany cykl. Aktywacja opcji w cyklach o temperaturze 40° umożliwia usunięcie głównych alergenów, takich jak kocia i psia sierść oraz pyłki; w cyklach o temperaturze powyżej 40° osiąga się bardzo dobry poziom ochrony przeciwalergicznej. Nacisnąć ponownie przycisk, aby powrócić do „**Płukanie zwykłe**” rodzaju płukania. Jeśli któreś z ustawień lub zmiana ustawienia nie jest możliwe, na wyświetlaczu pojawi się napis „**WYBÓR NIEMOŻLIWY**” lub „**ZMIANA NIEMOŻLIWA**”.

Zmiana charakterystyki cyklu.

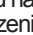
- Naciskać przycisk w celu uruchomienia funkcji; zapala się odpowiednia ikona na wyświetlaczu.
- Nacisnąć ponownie przycisk w celu wyłączenia funkcji, odpowiednia ikona na wyświetlaczu gaśnie.

! Jeśli wybrana funkcja nie jest kompatybilna z ustawionym programem, jej ikona jest wyświetlana z niską jasnością, a oprócz tego niekompatybilność jest sygnalizowana sygnałem akustycznym (3 sygnały) i napisem „**WYBÓR NIEMOŻLIWY**” na wyświetlaczu.

! Jeśli wybrana funkcja nie jest kompatybilna z inną, wcześniej ustawioną, zostaje wyświetlony napis **WYBÓR NIEMOŻLIWY** na wyświetlaczu i funkcja nie zostaje włączona.

! Funkcje mogą zmieniać zalecane obciążenie i/lub czas trwania cyklu.





- URUCHOMIENIE PROGRAMU.** Nacisnąć przycisk START/PAUZA. Odpowiednia kontrolka zaświeci się kolorem zielonym i drzwiczki zostaną zablokowane (symbol ZABLOKOWANYCH DRZWICZEK  świeci się). Podczas prania na wyświetlaczu pojawi się nazwa bieżącej fazy. W celu zmiany programu w czasie trwania cyklu należy ustawić pralkę w pauzie naciskając przycisk START/PAUZA (kontrolka START/PAUZA zacznie powoli pulsować w kolorze pomarańczowym); następnie wybrać potrzebny cykl i ponownie nacisnąć przycisk START/PAUZA. W celu otwarcia drzwiczek w trakcie wykonywania cyklu należy nacisnąć przycisk START/PAUZA; jeśli symbol ZABLOKOWANYCH DRZWICZEK  jest wyłączony możliwe będzie otwarcie drzwiczek Nacisnąć ponownie przycisk START/PAUZA, aby uruchomić program od punktu, w którym został przerwany.
- KONIEC PROGRAMU.** Wskazywany jest napisem „KONIEC CYKLU” na wyświetlaczu, kiedy symbol ZABLOKOWANYCH DRZWICZEK  wyłączy się, możliwe będzie otwarcie drzwiczek. Otworzyć drzwiczki, wyjąć bieliznę i wyłączyć maszynę.

! Jeśli zamierza się anulować uruchomiony już cykl, przytrzymać dłużej naciśnięty przycisk . Cykl zostanie przerwany i maszyna wyłączy się.

Direct Injection

Pralka jest wyposażona w innowacyjną technologię «Direct Injection», która wstępnie miesza wodę z detergentem aktywując od razu czynniki piorące detergentu. Ta aktywna emulsja jest wprowadzana bezpośrednio do bębna pralki i przenika jeszcze skuteczniej między włókna, usuwając najbardziej uporczywe zabrudzenia, już w niskich temperaturach, dbając przy tym maksymalnie o kolory i tkaniny. Możliwe jest wybranie trybu «Power», pozwalającego uzyskać najlepszą skuteczność prania lub trybu «EcoEnergy» zapewniającego największą oszczędność energii.

Tabela programów

Programy	Opis programu	Temp. maks. (°C)	Prędkość maks. (obroty na minutę)	Suszenie	Środki piorące i dodatki		Wsad maks. (kg)	Czas trwania cyklu	
					Pranie	Środek zmiękczający			
ANTI CREASE									
1	Mieszanka Pierz&Susz	40°	800	●	●	●	3	Moliwa jest kontrola czasu trwania programów prania na wyświetlaczu.	
2	Pranie&Susz. Koszul	40°	1000	●	●	●	2		
3	Przed Prasowaniem	-	-	-	-	-	1,5		
4	Odświeżanie Para	-	-	-	-	-	2		
DAILY CLEAN									
5	Odplamianie Turbo 45'	20° (Max. 40°C)	1200	●	●	●	4		
6	Odplamianie Power 20°C	40°	1400	●	●	●	9		
7	Bawełna: tkaniny białe lekko zabrudzone i delikatne kolorowe.	40° (Max. 90°C)	1400	●	●	●	9		
8	Eko Bawełna  (1-2): kaniny białe i kolorowe, wytrzymałe, mocno zabrudzone.	60°	1400	●	●	●	9		
9	Syntetyczne (4): tkaniny kolorowe, wytrzymałe, lekko zabrudzone.	40° (Max. 60°C)	1000	●	●	●	4,5		
SPECIALS									
10	Kolory	40°	1400	●	●	●	9		
11	Bardzo Delikatne	30°	--	●	●	●	1		
12	Wełna: do wełny, kaszmiru, itp.	40°	800	●	●	●	2		
13	Sport	40°	600	●	●	●	4		
14	Szybkie 30' (**): w celu szybkiego odświeżenia lekko tkanin (niewskazany dla wełny, jedwabiu i tkanin przeznaczonych do prania ręcznego).	30°	800	●	●	●	3,5		
Częściowe									
	Płukanie	-	1400	●	-	●	9		
	Wirowanie + Odpompow.	-	1400	●	-	-	9		
	Tylko Odpompowywanie *	-	--	-	-	-	9		

* Po wybraniu programu  i wyłączeniu wirowania maszyna wykona jedynie opróżnianie z wody.

** Jeśli zostanie ustawiony również cykl suszenia, maszyna wykona program „pranie+suszenie” o długości 45' z maksymalnym wirowaniem i ładunkiem bielizny o masie 1 kg.

Czas trwania cyklu wskazany na wyświetlaczu lub w instrukcji jest czasem oszacowanym dla standardowych warunków. Rzeczywisty czas trwania cyklu może się zmieniać w zależności od wielu czynników, takich jak temperatura i ciśnienie wody na wlocie, temperatura otoczenia, ilość detergentu, ilość i rodzaj pranej odzieży, wyważenie ładunku, wybrane opcje dodatkowe.

Dla wszystkich Test Institutes

1) Program sterowania zgodny z normą EN 50229: ustawić program 8 z temperaturą 60°C.

2) Program bawełna, długi: ustawić program 8 z temperaturą 40°C i nacisnąć przycisk DIRECT INJECTION z trybem „Power”.


3) Program tkaniny syntetyczne długi: ustawić program 9 z temperaturą 40°C.

Funkcje prania

! Jeśli wybrana funkcja nie jest kompatybilna z ustawionym programem, jej ikona jest wyświetlana z niską jasnością, a oprócz tego niekompatybilność jest sygnalizowana sygnałem akustycznym (3 sygnały) i napisem **WYBÓR NIEMOŻLIWY** na wyświetlaczu.

! Jeśli wybrana funkcja nie jest kompatybilna z inną, wcześniej ustawioną, zostaje wyświetlony napis **WYBÓR NIEMOŻLIWY** na wyświetlaczu i funkcja nie zostaje włączona.

Odkazanie Parą

Po wybraniu tej opcji zwiększa się skuteczność mycia poprzez wytworzenie pary, która podczas cyklu eliminuje nawet ewentualne zarazki we włóknach naprawiając je jednocześnie. Włożyć bieliznę do bębna, wybrać odpowiedni program i wybrać opcję .

! Podczas prania drzwiczki nie będą przeźroczyste ze względu na wytworzenie się pary.

Środki piorące i bielizna

PL

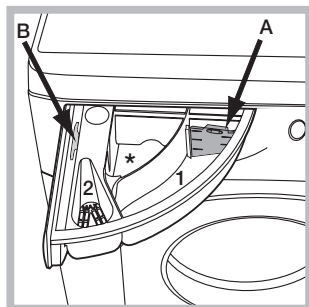
Szufladka na środki piorące

Dobry rezultat prania zależy również od prawidłowego dozowania środka piorącego: użycie jego nadmiernej ilości nie poprawia skuteczności prania, lecz przyczynia się do powstawania nalotów na wewnętrznych częściach pralki i do zanieczyszczania środowiska.

! Piorące w proszku należy stosować do tkanin z białej bawełny i do prania wstępnego oraz do prania w temperaturze przekraczającej 60°C. Środki

! Należy stosować się do zaleceń podanych na opakowaniu środka piorącego.

! Nie stosować środków do prania ręcznego, ponieważ tworzą one za dużo piany.



Wysunąć szufladkę i umieścić w niej środek piorący lub dodatkowy w następujący sposób.

! Nie wylewać detergentu do przegródka środkowej (*).

Przegródka 1: Środek piorący do prania zasadniczego (w proszku lub w płynie)

W przypadku stosowania środka piorącego w płynie, zaleca się użycie ścianki A dostarczonej na wyposażeniu, która ułatwia prawidłowe dozowanie. W celu użycia środka piorącego w proszku, należy wsunąć ściankę w zgłębienie B.

Przegródka 2: Środki dodatkowe (zmiękczające, itp.)

Środek zmiękczający nie powinien wypływać poza kratkę.

Przygotowanie bielizny

- Podzielić bieliznę do prania według:
 - rodzaju tkaniny / symbolu na etykiecie.
 - kolorów: oddzielić tkaniny kolorowe od białych.
- Opróżnić kieszenie i sprawdzić guziki.
- Nie przekraczać wskazanego ciężaru suchej bielizny: patrz "Tabela programów".

Ile waży bielizna?

- 1 prześcieradło 400-500 gr.
- 1 poszewka 150-200 gr.
- 1 obrus 400-500 gr.
- 1 szlafrok 900-1.200 gr.
- 1 ręcznik 150-250 gr.

Programy specjalne

Mieszanka Pierz&Susz: Codzienne Pranie&Suszenie: program 1 przeznaczony jest do prania i suszenia tkanin mieszanych (bawełna i syntetyczne). Po wybraniu tego cyklu można prać i suszyć do 3 kg odzieży; *zalecamy stosowanie płynnego środka piorącego*. Dzięki użyciu pary, program jest zoptymalizowany w celu ograniczenia tworzenia się zagnieciań na odzieży i ułatwienia prasowania.

Pranie&Susz. Koszul: program 2 przeznaczony jest do prania i suszenia koszul i koszulek z różnych materiałów i w różnych kolorach w celu zagwarantowania jak najlepszej ochrony ubrań. Po wybraniu tego cyklu można prać i suszyć do 2 kg odzieży. Aby otrzymać jak najlepsze wyniki prania należy stosować płynny środek piorący; wcześniej wyprać kołnierze, mankiety i plamy. Dzięki użyciu pary, program jest zoptymalizowany w celu ograniczenia tworzenia się zagnieciań na odzieży i ułatwienia prasowania.

Przed Prasowaniem: używać tego programu bezpośrednio przed prasowaniem; wsad maksymalny 1,5 kg. Dzięki użyciu pary, program jest zoptymalizowany w celu ograniczenia tworzenia się zagnieciań na odzieży i ułatwienia prasowania.

Odświeżanie Para: do odświeżenia ubrań, zneutralizowania nieprzyjemnych zapachów i zmiękczenia włókien poprzez doprowadzenie pary do wnętrza bębna. Po zakończeniu cyklu tkaniny będą wilgotne.

Odplamianie Turbo 45': ten cykl gwarantuje znakomitą zdolność usuwania plam już w temperaturze 20°C w zaledwie 45 minut. Temperaturę w tym cyklu można zwiększyć do 40°C.

Odplamianie Power 20°C: ten program oferuje maksymalną zdolność usuwania plam, w niskiej temperaturze, nie niszcząc tkanin ani kolorów i bez konieczności wcześniejszego stosowania innych środków odplamiających.

Kolory: do prania ubrań z barwionej bawełny. Ten program pozwala na optymalne zachowanie kolorów nawet po kilkukrotnym praniu.

Bardzo Delikatne: używać programu 11 do prania bardzo delikatnej odzieży, ozdobionej cekinami lub korallikami.

Zalecamy wywrócenie ubrań na lewą stronę i włożenie małych części odzieży do woreczka przeznaczonego specjalnie do prania delikatnych ubrań. Dla osiągnięcia najlepszych efektów, zalecamy stosowanie środka piorącego w płynie do tkanin delikatnych.

Po wybraniu opcji suszenia wyłącznie czasowego, po zakończeniu prania zostanie przeprowadzone szczególnie delikatne suszenie, dzięki lekkim obrotom i odpowiednio kontrolowanej temperaturze strumienia powietrza. Zalecane czasy to:

- 1 kg tkanin syntetycznych --> 165 min.
- 1 kg tkanin syntetycznych i bawełnianych --> 180 min.
- 1 kg tkanin bawełnianych --> 180 min.

Stopień wysuszenia zależał będzie od wielkości wsadu i rodzaju tkaniny.

Wetna - Woolmark Apparel Care - Green:

cykl prania „Wetna” niniejszej pralki został zatwierdzony przez Woolmark Company jako odpowiedni do prania odzieży wełnianej i przeznaczonej do prania ręcznego, pod warunkiem, że pranie jest przeprowadzane zgodnie z instrukcjami podanymi na etykiecie ubrania oraz ze wskazówkami dostarczonymi przez producenta pralki.



Sport: został opracowany do prania mało zabrudzonej odzieży sportowej (dresów, skarpetek, ręczników, itp.); w celu osiągnięcia najlepszych rezultatów, nie należy przekraczać maksymalnego wsadu podanego w "Tabela programów". Zaleca się stosowanie detergentu w płynie, używając ilości odpowiedniej do połowy wsadu.

System równoważenia wsadu

Przed każdym wirowaniem, aby uniknąć nadmiernych drgań oraz jednorodnie rozłożyć wsad, bęben wykonuje obroty z prędkością nieco większą niż podczas prania. Jeśli po kilku próbach wsad nie zostanie prawidłowo zrównoważony, urządzenie wykona wirowanie z prędkością mniejszą od przewidywanej. W przypadku wystąpienia nadmiernego nierównoważenia wsadu pralka dokona jego rozłożenia zamiast odwirowania. Aby zapewnić lepsze rozłożenie wsadu oraz jego właściwe zrównoważenie zaleca się mieszanie dużych i małych sztuk bielizny.

Nieprawidłowości w działaniu Hotpoint i sposoby ich usuwania

ARISTON

PL

Może się zdarzyć, że pralka nie działa. Przed wezwaniem Serwisu Technicznego (*patrz „Serwis Techniczny”*) należy sprawdzić, czy problemu nie da się łatwo rozwiązać przy pomocy poniższego wykazu.

Nieprawidłowości w działaniu:

Możliwe przyczyny / Rozwiązania:

Pralka nie włącza się.

- Wtyczka nie jest włączona do gniazdka lub jest wsunięta za słabo, tak że nie ma styku.
- W domu nastąpiła przerwa w dostawie prądu.

Cykl prania nie rozpoczyna się.

- Drzwiczki pralki nie są dobrze zamknięte.
- Nie został wciśnięty przycisk ON/OFF.
- Nie został wciśnięty przycisk START/PAUZA.
- Kurek dopływu wody jest zamknięty.
- Zostało nastawione opóźnienie startu.

Pralka nie pobiera wody (na wyświetlaczu pojawi się napis „BRAK WODY, Otwórz zawór”).

- Przewód doprowadzający wodę nie jest podłączony do kurka.
- Przewód jest zgięty.
- Kurek dopływu wody jest zamknięty.
- W domu nastąpiła przerwa w dostawie wody.
- Ciśnienie wody nie jest wystarczające.
- Nie został wciśnięty przycisk START/PAUZA.

Pralka cały czas pobiera i odprowadza wodę.

- Przewód odpływowy nie został zainstalowany na wysokości między 65 a 100 cm od podłogi (*patrz „Instalacja”*).
- Końcówka przewodu odpływowego jest zanurzona w wodzie (*patrz „Instalacja”*).
- Otwór odpływowy w ścianie nie posiada odpowietrznika.

Jeśli po sprawdzeniu tych możliwości problem nie zostanie rozwiązany, należy zamknąć kurek dopływu wody, wyłączyć pralkę i wezwać Serwis Techniczny. Jeśli mieszkanie znajduje się na najwyższych piętrach budynku, może wystąpić efekt syfonu, w wyniku którego pralka cały czas pobiera i odprowadza wodę. W celu wyeliminowania tej niedogodności należy zakupić specjalny zawór, zapobiegający powstawaniu efektu syfonu.

Pralka nie odprowadza wody i nie odwirowuje prania.

- Program nie przewiduje odprowadzania wody: w przypadku niektórych programów należy uruchomić je ręcznie (*patrz „Programy i funkcje”*).
- Przewód odpływowy jest zgięty (*patrz „Instalacja”*).
- Instalacja odpływowa jest zatkana.

Pralka mocno wibruje w fazie wirowania.

- Podczas instalacji pralki bęben nie został prawidłowo odblokowany (*patrz „Instalacja”*).
- Pralka nie jest właściwie wypoziomowana (*patrz „Instalacja”*).
- Pralka, zainstalowana pomiędzy meblami a ścianą, ma za mało miejsca (*patrz „Instalacja”*).

Z pralki wycieka woda.

- Przewód doprowadzający wodę nie jest dobrze przykręcony (*patrz „Instalacja”*).
- Szufladka na środki piorące jest zatkana (w celu jej oczyszczenia *patrz „Utrzymanie i konserwacja”*).
- Przewód odpływowy nie jest dobrze zamocowany (*patrz „Instalacja”*).

Maszyna jest zablokowana, wyświetlacz pulsuje i sygnalizuje kod anomalii (np.: F-01, F-..).

- Wyłączyć maszynę i wyjąć wtyczkę z gniazdka, odczekać około 1 minuty, następnie włączyć ją ponownie. Jeśli problem nie ustępuje, należy wezwać Serwis Techniczny.

Tworzy się zbyt duża ilość piany.

- Środek piorący nie jest odpowiedni do pralek automatycznych (na opakowaniu musi być umieszczony napis: „do pralek”, „do prania ręcznego i w pralce” lub podobny).
- Użyto za dużo środka piorącego.

Pralka nie suszy.

- Wtyczka nie jest włączona do gniazdka, lub jest wsunięta niedostatecznie, tak że nie ma kontaktu.
- W domu brak jest prądu.
- Drzwiczki nie są dobrze zamknięte.
- Zostało nastawione opóźnienie startu.
- SUSZENIE znajduje się w pozycji OFF.

Serwis Techniczny

PL

Przed skontaktowaniem się z Serwisem Technicznym:

- Sprawdzić, czy problemu nie można rozwiązać samodzielnie (*patrz, „Nieprawidłowości w działaniu i sposoby ich usuwania”*);
- Ponownie uruchomić program i sprawdzić, czy problem nie zniknął;
- Jeśli nie, zwrócić się do autoryzowanego Serwisu Technicznego, dzwoniąc pod numer podany w karcie gwarancyjnej.

! Nigdy nie wzywać nieautoryzowanych techników.

Należy podać:


- rodzaj nieprawidłowości;
- model maszyny (Mod.);
- numer seryjny (S/N).

Informacje te znajdują się na tabliczce umieszczonej w tylnej części pralki oraz widocznej z przodu po otwarciu drzwiczek.

RDPD 96407 J

Соответствие классов энергоэффективности	
Информация о классе энергоэффективности, указанная на продукте	Класс энергоэффективности в соответствии с Российским законодательством
A	A
A+	A-10% (*)
A++	A-20% (*)
A+++	A-30% (*)
A+++ -10%	A-40% (*)
A+++ -20%	A-50% (*)

(*) на данное количество процентов показатели энергоэффективности лучше, чем у класса "А", определенного нормативными документами Российской Федерации.

!  Этот символ напоминает Вам о необходимости консультации данного технического руководства.

Содержание

Установка 26-27

Распаковка и выравнивание
Подключение к водопроводной и электрической сети
Первый цикл стирки
Технические характеристики

Техническое обслуживание и уход, 28

Отключение воды и электрического тока
Уход за стиральной машиной
Уход за распределителем моющих средств
Уход за люком и барабаном
Уход за насосом
Проверка водопроводного шланга

Предосторожности и рекомендации, 29

Общие требования по безопасности
Утилизация
Аварийное открытие люка
Условия хранения и транспортировки

Описание стиральной машины, 30-31

Панель управления
Дисплей

Порядок осуществления цикла мойки или сушки, 32

Программы и функции, 33

Таблица программ
Функции стирки

Стиральные вещества и типы белья, 34

Распределитель моющих средств
Подготовка белья
Специальные программы
Система балансировки белья

Неисправности и методы их устранения, 35

Сервисное обслуживание, 36

Установка

RU

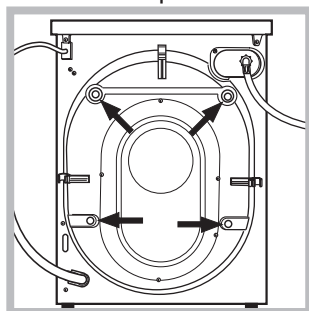
! Сохраните данное руководство. Оно должно быть в комплекте со стиральной машиной в случае продажи, передачи оборудования или при переезде на новую квартиру, чтобы новый владелец оборудования мог ознакомиться с правилами его функционирования и обслуживания.

! Внимательно прочитайте руководство: в нем содержатся важные сведения по установке и безопасной эксплуатации стиральной машины.

Распаковка и выравнивание

Распаковка

1. Распакуйте стиральную машину.
2. Убедитесь, что оборудование не было повреждено во время транспортировки. При обнаружении повреждений – не подключайте машину – свяжитесь с поставщиком немедленно.



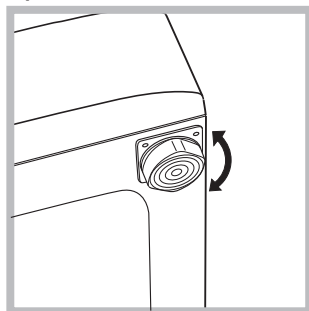
3. Удалите четыре транспортировочных винта и резиновые пробки с прокладками, расположенные в задней части стиральной машины (см. рис.).

4. Закройте отверстия прилагающимися пластиковыми заглушками.
5. Сохраняйте все детали: они Вам понадобятся при последующей транспортировке стиральной машины.

! Не разрешайте детям играть с упаковочными материалами.

Выравнивание

1. Установите стиральную машину на ровном и прочном полу, так чтобы она не касалась стен, мебели и прочих предметов.



2. После установки машины на место отрегулируйте ее устойчивое положение путем вращения передних ножек (см. рис.). Для этого сначала ослабьте контргайку, после завершения

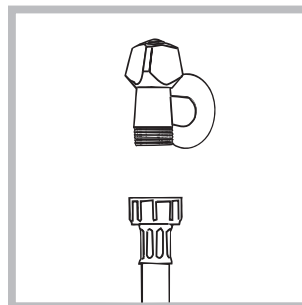
регулировки контргайку затяните.

После установки машины на место проверьте по уровню горизонтальность верхней крышки корпуса, отклонение горизонтали должно быть не более 2°.

Правильное выравнивание оборудования поможет избежать шума, вибраций и смещений во время работы машины. Если стиральная машина стоит на полу, покрытом ковром, убедитесь, что ее основание возвышается над ковром. В противном случае вентиляция будет затруднена или вовсе невозможна.

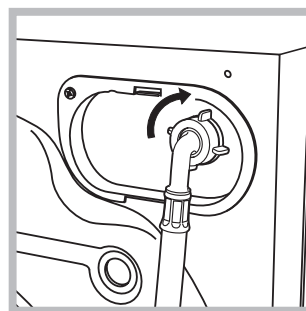
Подключение к водопроводной и электрической сети

Подсоединение заливного шланга



1. Прикрутите шланг подачи к крану холодной воды с резьбовым отверстием 3/4 gas (см. схему).

Перед подсоединением откройте водопроводный кран до тех пор, пока из него не потечет чистая вода.



2. Подсоедините заливной шланг к стиральной машине, навинтив его на водоприемник, расположенный в задней верхней части справа (см. рис.).

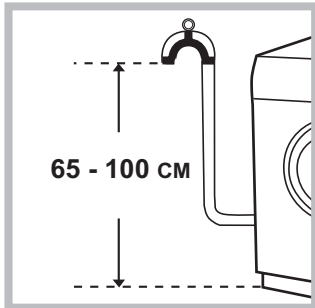
3. Убедитесь, что шланг не перекручен и не пережат.

! Давление воды должно быть в пределах значений, указанных в таблице Технических характеристик (см. с. 27).

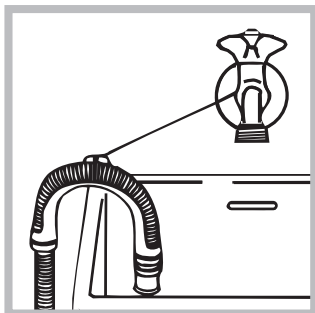
! Если длина водопроводного шланга окажется недостаточной, обратитесь в Авторизованный сервисный центр.

! Никогда не используйте шланги, бывшие в употреблении.

Подсоединение сливного шланга



Подсоедините сливной шланг, не перегибая его, к сливной трубе или к настенному сливному отверстию, распложенному на высоте от 65 до 100 см от пола,



Или поместите шланг в раковину или в ванну, закрепив прилегающую направляющую крану (см. схему). Свободный конец сливного шланга не должен быть погружен в воду.

! Не рекомендуется

использовать удлинители для сливного шланга. При необходимости удлинение должно иметь такой же диаметр, что и оригинальный шланг, и его длина не должна превышать 150 см.

Подключение к электросети

Перед включением изделия в розетку электросети необходимо проверить следующее:

- заземляющий контакт двухполюсной розетки должен быть соединён с заземлением и соответствовать нормативам;
- розетка электросети должна быть рассчитана на максимальную мощность стиральной машины, указанную в таблице Технические данные (см. таблицу сбоку);
- напряжение электросети должно соответствовать значениям, указанным в таблице Технические данные (см. таблицу сбоку);
- электрическая розетка и штепсельная вилка стиральной машины должны быть одного типа. В противном случае необходимо заменить розетку.

! Запрещается устанавливать стиральную машину на улице, даже под навесом, так как опасно подвергать ее воздействию дождя и грозы.

! Стиральная машина должна быть расположена таким образом, чтобы доступ к розетке электросети оставался свободным.

! Не используйте удлинители и тройники.

! Сетевой кабель изделия не должен быть согнут или сжат.

! Замена сетевого кабеля может осуществляться только уполномоченными сервисными центрами.

Внимание! Фирма снимает с себя всякую ответственность в случае несоблюдения вышеописанных правил.

Первый цикл стирки

По завершении установки, перед началом эксплуатации необходимо произвести один цикл стирки со стиральным порошком, но без белья, по программе АВТО-ОЧИСТКА (см. "Уход за стиральной машиной").

Технические данные

Модель	RDPD 96407 J
Страна-изготовитель	Италия
Габаритные размеры	ширина 59,5 см. высота 85 см. глубина 54 см.
Вместимость	От 1 до 9 кг белья для цикла стирки От 1 до 6 кг белья для цикла сушки
Номинальное значение напряжения электропитания или диапазон напряжения	220-240 V ~
Условное обозначение рода электрического тока или номинальная частота переменного тока	50 Hz
Класс защиты от поражения электрическим током	Класс защиты I
Водопроводное подсоединение	максимальное давление 1 МПа (10 бар) минимальное давление 0,05 МПа (0,5 бар) емкость барабана 58 литра
Скорость отжима	до 1400 оборотов в минуту
Программы управления в соответствии с Директивой EN 50229	Стирка: программа 8; температура 60°C; загрузка 9 кг белья. Сушка: высушивание высокой нагрузке (6 кг) должны быть выполнены путем выбора уровня сушительную "Дополнительно". Сушка остального белья должна выполняться в режиме "Дополнительно": в загрузку белья должно входить 3 простыни, 2 наволочка и 1 полотенце.
	Данное изделие соответствует следующим Директивам Европейского Сообщества: - 2004/108/CE (Электромагнитная совместимость); - 2006/95/CE (Низкое напряжение); - 2012/19/EU (WEEE)
	В случае необходимости получения информации по сертификатам соответствия или получения копий сертификатов соответствия на данную технику, Вы можете отправить запрос по электронному адресу cert.rus@indesit.com.
Дату производства данной техники можно получить из серийного номера, расположенного под штрих-кодом (S/N XXXXXXXX), следующим образом	- 1-ая цифра в S/N соответствует последней цифре года, - 2-ая и 3-я цифры в S/N - порядковому номеру месяца года, - 4-ая и 5-ая цифры в S/N - день
Степень защиты от попадания твердых частиц и влаги, обеспечиваемая защитной оболочкой, за исключением низковольтного оборудования, не имеющего защиты от влаги: IPX4	
Класс энергопотребления	A


Техническое обслуживание и уход

RU

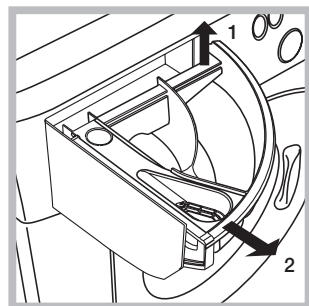
Отключение воды и электрического тока

- Перекрывайте водопроводный кран после каждой стирки. Таким образом сокращается износ водопроводной системы машины и сокращается риск утечек.
- Выньте штепсельную вилку из электро розетки в процессе чистки и технического обслуживания стиральной машины.

Уход за стиральной машиной

- Для чистки наружных и резиновых частей стиральной машины используйте тряпку, смоченную теплой водой с мылом. Не используйте растворители или абразивные чистящие средства.
- Стиральная машина укомплектована программой «АВТО-ОЧИСТКА» внутренних деталей, которую необходимо **выполнять без какого-либо белья в барабане**. Стиральное вещество (в объеме 10% от рекомендуемого для очень грязного белья) или специальные добавки для чистки стиральной машины можно использовать в качестве вспомогательных в программе стирки. Рекомендуется выполнять программу чистки машины каждые 40 циклов стирки. Для активации программы удерживайте нажатой в течение 5 секунд кнопку , после чего нажмите кнопку ПУСК/ПАУЗА, в результате чего запустится программа длительностью приблизительно 70 минут.

Уход за распределителем моющих средств



Выньте распределитель, приподняв его и потянув наружу (см. схему). Промойте распределитель теплой водой. Эта операция должна выполняться регулярно.

Уход за люком и барабаном

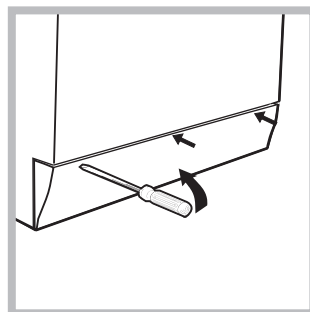
- После использования стиральной машины всегда следует оставлять люк полуоткрытым во избежание образования неприятных запахов в барабане.

Уход за насосом

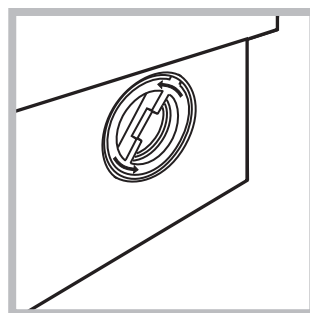
Стиральная машина оснащена самочищающимся насосом, не нуждающимся в техническом обслуживании. Тем не менее мелкие предметы (монеты, пуговицы) могут упасть за кожух, предохраняющий насос, расположенный в его нижней части.

! Проверьте, чтобы цикл стирки завершился, и выньте штепсельную вилку из сетевой розетки.

Для доступа к кожуху:



1. снимите переднюю панель стиральной машины при помощи отвертки (см. схему);



2. отвинтите крышку, повернув ее против часовой стрелки (см. схему): небольшая утечка воды является нормальным явлением;

3. тщательно прочистите внутри кожуха;
4. закрутите крышку на место;
5. установите на место переднюю панель, проверив перед ее прикреплением к машине, чтобы крюки вошли в соответствующие петли.

Проверка водопроводного шланга

Проверяйте шланг подачи воды не реже одного раза в год. При обнаружении трещин или разрывов шланга замените его: в процессе стирки сильное давление воды в водопроводе может привести к внезапному отсоединению шланга.

! Никогда не пользуйтесь б/у шлангами.

! Стиральная машина спроектирована и изготовлена в соответствии с международными нормативами по безопасности. Необходимо внимательно прочитать настоящие предупреждения, составленные в целях вашей безопасности.

Общие требования к безопасности

- После использования машины **обязательно** отключайте ее от сети переменного тока и закрывайте водопроводный кран.
 - Данное изделие предназначено исключительно для домашнего использования.
 - Данное изделие может быть использовано детьми старше 8 лет и лицами с ограниченными физическими, сенсорными или умственными способностями или лицами, не обладающими достаточными знаниями, без контроля опытных лиц или без предварительного обучения правилам безопасного использования изделия и связанным с этим опасностям. **Не разрешайте детям играть с изделием. Не поручайте детям обслуживание и уход за изделием без контроля взрослых.**
 - Не сушите в машине грязные вещи.
 - Вещи, испачканные маслом для жарки, ацетоном, спиртом, бензином, керосином, пятновыводителями, трементином, воском и веществами для его удаления, необходимо выстирать в горячей воде с большим количеством стирального вещества перед их сушкой в сушильной машине.
 - Вещи из вспененного материала (латекс), шапочки для душа, водонепроницаемая ткань, изделия, одна сторона которых – резиновая, одежда или подушки, содержащие латекс, сушить в сушильной машине нельзя.
 - Ополаскиватель или подобные вещества следует использовать в соответствии с инструкциями производителя.
 - Завершающая часть цикла сушильной машины производится без нагрева (цикл охлаждения) во избежание повреждения вещей.
- ВНИМАНИЕ:** Никогда не останавливайте сушильную машину до окончания программы сушки. В этом случае сразу же выгрузите все вещи и развесьте их для быстрого охлаждения.
- Не прикасайтесь к изделию влажными руками, босиком или с мокрыми ногами.
 - Не тяните за сетевой кабель для отсоединения штепсельной вилки изделия из сетевой розетки, возьмитесь за вилку рукой.
 - Не прикасайтесь к сливаемой воде, так как она может быть очень горячей.
 - Категорически запрещается пытаться открыть люк силой: это может привести к повреждению защитного механизма, предохраняющего от случайного открывания машины.
 - В случае неисправности категорически запрещается открывать внутренние механизмы изделия с целью их самостоятельного ремонта.
 - Следите, чтобы дети не приближались к работающей стиральной машине.
 - Перемещать машину следует осторожно, вдвоем или троим. Никогда не перемещайте машину в одиночку, так как машина очень тяжелая.
 - Перед помещением в стиральную машину белье проверьте, чтобы барабан был пуст.
 - В процессе сушки люк стиральной машины может нагреться.
 - **Не подвергайте автоматической сушке белье, выстиранное с применением возгораемых растворителей (например, триелина).**
 - **Не сушите в автоматической сушке паралоновые изделия или подобные эластомеры.**
 - В процессе сушки проверьте, чтобы водопроводный кран был открыт.

- **Не разрешайте детям младше 3 лет приближаться к сушильной машине без постоянного контроля.**
- **Выньте все предметы из карманов, такие как зажималки и спички.**

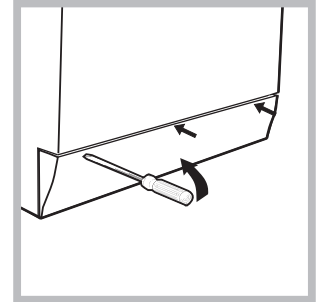
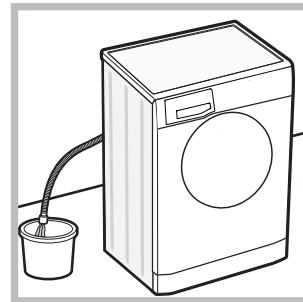
Утилизация

- Уничтожение упаковочных материалов: соблюдайте местные нормативы с целью вторичного использования упаковочных материалов.
- Согласно Европейской Директиве 2012/19/EU касательно утилизации электронных и электрических электроприборов электроприборы не должны выбрасываться вместе с обычным городским мусором. Выведенные из строя приборы должны собираться отдельно для оптимизации их утилизации и рекуперации составляющих их материалов, а также для безопасности окружающей среды и здоровья. Символ «зачеркнутая мусорная корзина», имеющийся на всех приборах, служит напоминанием об их отдельной утилизации. За более подробной информацией о правильной утилизации бытовых электроприборов пользователи могут обратиться в специальную государственную организацию или в магазин.

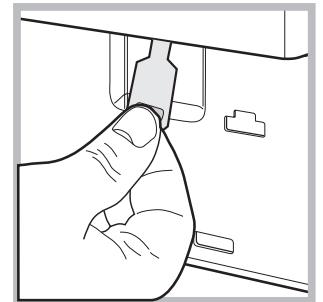
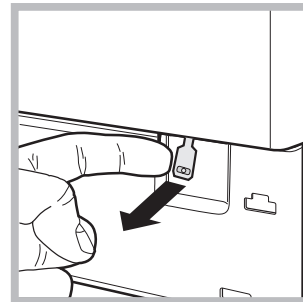
Аварийное открытие люка

Если по причине отключения электроэнергии невозможно открыть люк машины, чтобы выгрузить чистое белье, действуйте следующим образом:

1. выньте штепсельную вилку машины из электро розетки.



2. проверьте, чтобы уровень воды в машине был ниже отверстия люка. В противном случае слейте излишек воды через сливную трубу в ведро, как показано на схеме.
3. снимите переднюю панель стиральной машины при помощи отвертки (см. схему).



4. потяните наружу язычок, показанный на схеме, вплоть до освобождения пластикового блокировочного винта. Затем потяните его вниз и одновременно откройте люка.
5. установите на место переднюю панель, проверив перед ее прикреплением к машине, чтобы крюки вошли в соответствующие петли.

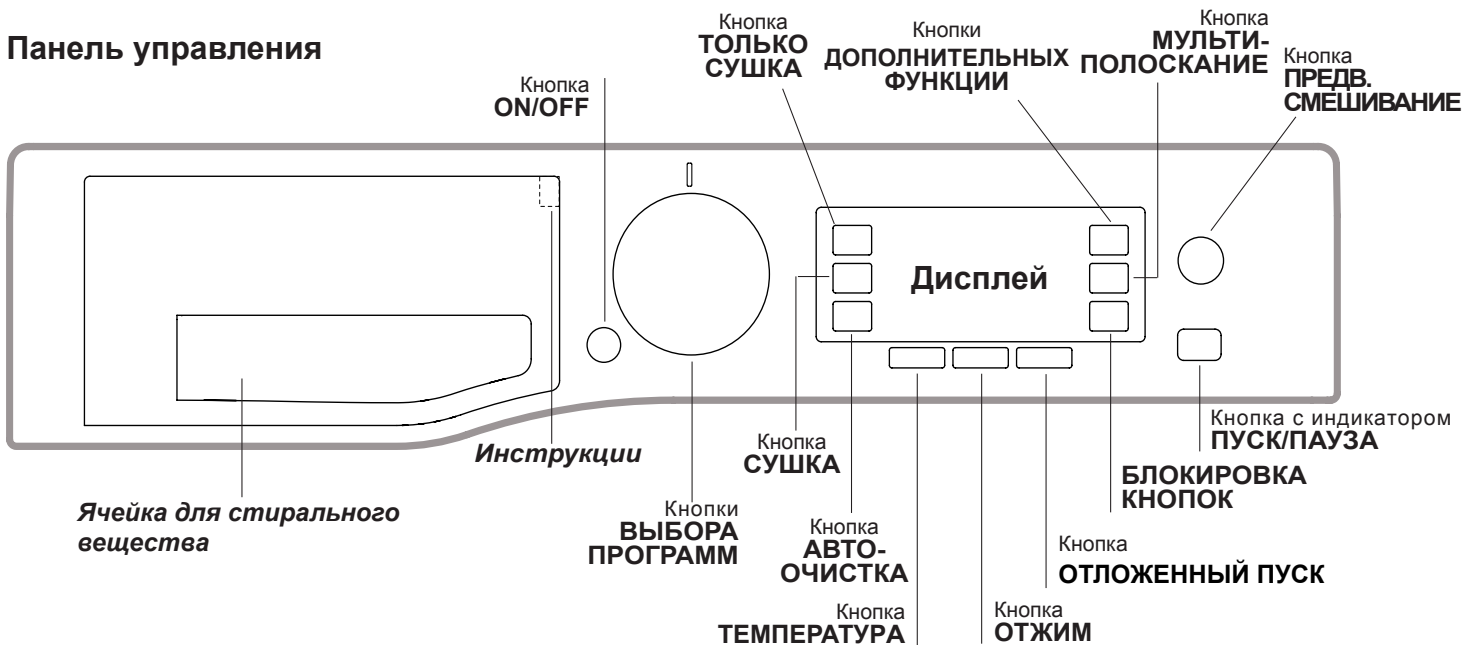
Условия хранения и транспортировки

- Упакованную стиральную машину следует хранить при относительной влажности не более 80% в закрытых помещениях с естественной вентиляцией. Если машина длительное время не будет использоваться и будет храниться в не отапливаемом помещении, необходимо полностью удалить из машины воду. Перед транспортировкой машины необходимо установить транспортные винты со втулками, чтобы исключить повреждение бака стиральной машины. Транспортировать машину необходимо в рабочем положении (вертикально) любым видом крытого транспорта, надежно закрепив её. **ЗАПРЕЩАЕТСЯ** подвергать стиральную машину ударным

Описание стиральной машины


RU

Панель управления



Ячейки для стирального вещества: для загрузки стиральных веществ и добавок (см. «Стиральные вещества и типы белья»).

Инструкции: внутри дозатора моющих средств имеются инструкции для всех имеющихся программ, а также графические инструкции по использованию отдельных ячеек дозатора.


Кнопка **ON/OFF** : быстро нажмите эту кнопку для включения или выключения машины. Индикатор ПУСК/ПАУЗА, редко мигающий зеленым цветом, означает, что машина включена. Для выключения стиральной машины в процессе стирки необходимо держать нажатой кнопку, примерно 3 секунды. Короткое или случайное нажатие не приведет к отключению машины. В случае выключения машины в процессе стирки текущий цикл отменяется.


Кнопки **ВЫБОРА ПРОГРАММ**: служат для выбора нужной программы (см. «Таблица программ»).

Кнопки **ДОПОЛНИТЕЛЬНЫХ ФУНКЦИЙ**: нажмите кнопку для выбора нужной вам функции. На дисплее загорится соответствующий индикатор.


Кнопка **АВТО-ОЧИСТКА**: нажмите для осуществления очистки внутренних частей машины (см. «Уход за стиральной машиной»).

Кнопка **ПРЕДВ. СМЕШИВАНИЕ**: позволяет выбрать функцию ПРЕДВ. СМЕШИВАНИЕ.


Кнопка **МУЛЬТИ-ПОЛОСКАНИЕ** : нажать для выбора нужного режима ополаскивания.


Кнопка **ОТЖИМ** : нажмите эту кнопку для сокращения скорости или полного исключения отжима – значение показывается на дисплее.

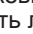
Кнопка **ТЕМПЕРАТУРА** : нажмите эту кнопку для уменьшения значения температуры: значение показывается на дисплее.

Кнопка **СУШКА** : нажмите для сокращения продолжительности или исключения сушки; выбранный режим и продолжительность сушки показываются на дисплее.

Кнопка **ТОЛЬКО СУШКА** : позволяет выполнить только сушку

БЛОКИРОВКА КНОПОК : для включения блокировки консоли управления держите кнопку нажатой примерно 2 секунды. Отображение на дисплее надписи «БЛОКИРОВКА КНОПОК ВКЛЮЧЕНА» означает, что панель управления заблокирована (за исключением кнопки ON/OFF). Таким образом, программа не может быть случайно изменена, особенно если в доме дети. Для отключения блокировки консоли управления держите кнопку нажатой примерно 2 секунды.

Кнопка **ОТЛОЖЕННЫЙ ПУСК** : нажмите для программирования времени задержки пуска выбранной программы. Время задержки показывается на дисплее.

Кнопка с индикатором **ПУСК/ПАУЗА**: когда зеленый индикатор редко мигает, нажмите кнопку для запуска цикла стирки. После пуска цикла индикатор перестает мигать. Для прерывания стирки вновь нажмите эту кнопку; индикатор замигает оранжевым цветом. Если символ  не горит, можно открыть люк машины. Для возобновления стирки с момента, когда она была прервана, вновь нажмите эту кнопку.

Режим ожидания

Настоящая стиральная машина отвечает требованиям новых нормативов по экономии электроэнергии, укомплектована системой автоматического отключения (режим сохранения энергии), включающейся через 30 минут простоя машины. Нажмите один раз кнопку ON/OFF, и подождите, пока машина вновь включится.

*Энергопотребление в выключенном состоянии: 0,5 W
Энергопотребление в режиме Left-on: 8 W*

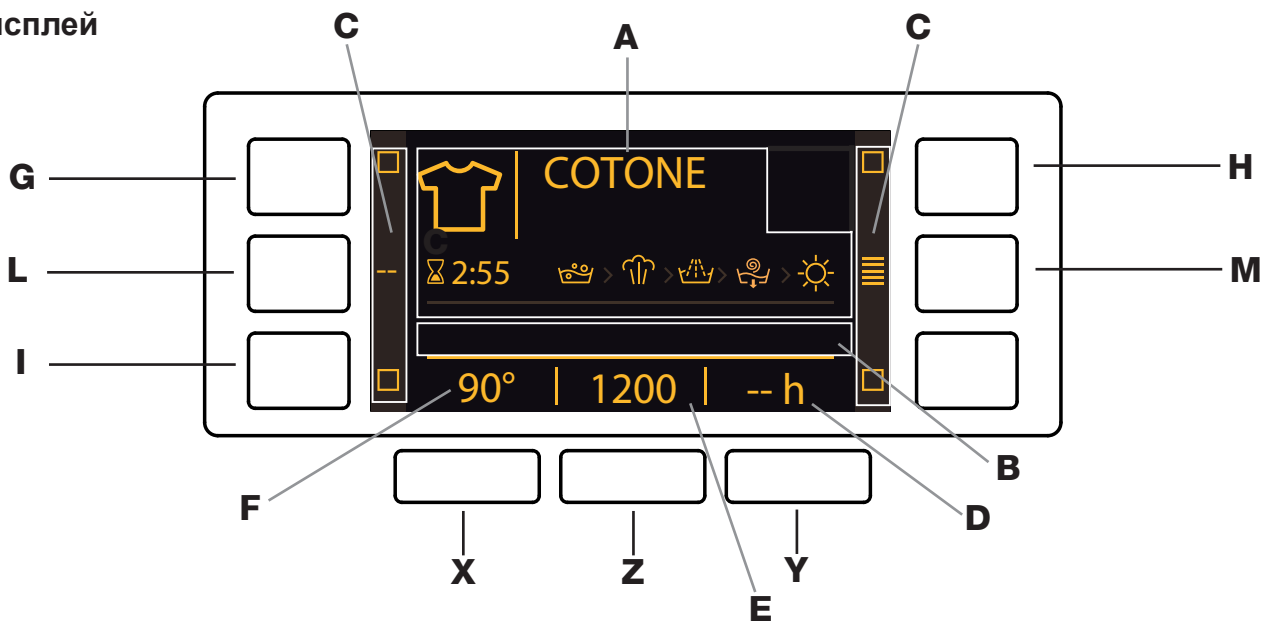
Антимикробное уплотнение

Уплотнение люка изготовлено из специальной смеси, обеспечивающей антимикробную защиту, сокращая размножение бактерий на 99,99%. Уплотнение люка содержит Zinc pyritione, пестицидное вещество, сокращающее размножение вредных микробов (*) таких как бактерии и плесень, которые могут привести к появлению пятен, неприятных запахов и повреждению изделия.

(*) **Согласно тестам, проведенным в Университете Перуджи на: *Staphylococcus aureus, Escherichia coli, Pseudomonas aeruginosa, Candida albicans, Aspergillus niger, Penicillium digitatum.***

В редких случаях длительный контакт с уплотнением может вызвать кожную аллергию.

Дисплей



Дисплей служит для программирования машины и предоставляет пользователю множество сведений.

В области **A** высвечиваются иконка и выбранная программа, фазы стирки и сушки, а также время, оставшееся до завершения цикла.

В области **B** высвечиваются два уровня интенсивности, соответствующие опции ПРЕДВ. СМЕШИВАНИЕ.

В областях **C** находятся светоиндикаторы, соответствующие доступным функциям.

В области **D** высвечивается время до запуска выбранной программы, в случае если был задан ОТЛОЖЕННЫЙ ПУСК.

На строке **E** показывается максимальное значение скорости отжима, который машина может выполнить в зависимости от выбранной программы; Если программа не предусматривает активации центрифуги, на панели отображается тусклым светом символ "--".

В области **F** высвечивается значение температуры, которую можно установить в соответствии с установленной программой; если программа не предусматривает установки температуры, на панели отображается тусклым светом символ "--".

Символ заблокированного люка

Включенный символ означает, что люк заблокирован во избежание его случайного открывания. Во избежание повреждений, перед тем как открыть люк, необходимо дождаться, пока погаснет символ.

ПРИМЕЧАНИЕ: если включена функция ОТЛОЖЕННЫЙ ПУСК, люк открыть нельзя. Для этого необходимо переключить машину в режим паузы при помощи кнопки ПУСК/ПАУЗА.

! При первом включении машины потребуется выбрать язык, и дисплей автоматически покажет страницу меню выбора языка.

Для выбора нужного языка нажмите кнопки **X** и **Y**, для подтверждения выбора нажмите кнопку **Z**.




Если требуется сменить язык, выключите машину, нажмите одновременно кнопки **G**, **H**, **I** подождите до звукового сигнала, откроется меню выбора языка.

! В случае если Вы желаете изменить интенсивность освещения дисплея, которая по умолчанию установлена на самом высоком уровне, выключите машину, одновременно нажмите кнопки **G**, **L**, **M** до звукового сигнала. Нажмите кнопки **X** и **Y** для выбора желаемого уровня яркости, для подтверждения выбора нажмите кнопку **Z**.

! Если во время цикла стирки или заданного ОТЛОЖЕННЫЙ ПУСК с дисплеем не выполняются никакие действия в течение 1 минуты, активируется функция "ХРАНИТЕЛЯ ЭКРАНА". Для возврата к предыдущему окну дисплея достаточно нажать любую клавишу.

Порядок осуществления цикла мойки или сушки


RU

- 1. ПОРЯДОК ВКЛЮЧЕНИЯ МАШИНЫ.** Нажмите кнопку , на дисплее появится надпись "HOTPOINT.". Индикатор ПУСК/ПАУЗА редко мигает зеленым цветом.
- 2. ПОРЯДОК ЗАГРУЗКИ БЕЛЬЯ.** Откройте люк машины. Загрузите в барабан белье, не превышая максимальный допустимый вес, указанный в таблице программ на следующей странице.
- 3. ДОЗИРОВКА МОЮЩЕГО СРЕДСТВА.** Выньте распределитель и засыпьте моющее средство в специальные ячейки, как описано в разделе «*Стиральные вещества и типы белья*».
- 4. ЗАКРОЙТЕ ЛЮК.**
- 5. ВЫБОР ПРОГРАММ.** Нажмите одну из кнопок ВЫБОРА ПРОГРАММ для выбора нужной программы. Название программы появится на дисплее. Вместе с программой будет показана температура и скорость отжима, которые могут быть изменены. На дисплее показывается продолжительность данного цикла.
- 6. ПЕРСОНАЛИЗАЦИЯ ЦИКЛА СТИРКИ.** Нажмите соответствующие кнопки:
Порядок изменения температуры и/или скорости отжима. Машина автоматически устанавливает максимальные температуру и скорость отжима, допустимые для выбранной программы, следовательно, эти значения не могут быть увеличены. При помощи кнопки  можно постепенно уменьшить температуру вплоть до стирки в холодной воде (На дисплее высвечивается символ "—"). При помощи кнопки  можно постепенно уменьшить скорость отжима вплоть до его исключения (На дисплее высвечивается символ "--"). При еще одном нажатии этих кнопок вернутся максимальные допустимые значения.
! Исключение: при выборе программы 5 температура может быть увеличена до 40°.
! Исключение: при выборе программы 7 температура может быть увеличена до 90°.
! Исключение: при выборе программы 9 температура может быть увеличена до 60°.

Программирование задержка запуска.

Для программирования задержки пуска выбранной программы нажмите соответствующую кнопку вплоть до получения нужного значения задержки. Для отмены задержки пуска нажмите кнопку вплоть до появления на дисплее надписи "-- h".

Программирование сушки.

Нажав кнопку СУШКА , один или несколько раз, можно выбрать нужный режим сушки. Машина предусматривает два режима:

A - Режим сушки в зависимости от степени влажности белья:
Под Утюг: рекомендуется для белья, которое затем требуется гладить. Степень остаточной влажности смягчает складки и делает глажку более легкой.

На Вешалку: идеально подходит для вещей, не нуждающихся в полной сушке.

В Шкаф: подходит для белья, сразу складываемого в шкаф без глажки.

Дополнительно: подходит для белья, нуждающегося в полной сушке, такого как махровые полотенца и халаты.



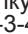
B - По продолжительности: от **30** до **180** минут.

Для исключения сушки нажмите соответствующую кнопку до тех пор, пока на дисплее не появится надпись **OFF**. В случае, если вес белья, предназначенного для стирки и сушки, превышает максимальную допустимую загрузку, выполните цикл стирки, и по его завершении, разделите белье на части и производите его сушку частями. Затем следуйте инструкциям, описывающим функцию «**Только сушка**».

Повторите те же операции для сушки оставшегося белья.

ПРИМЕЧАНИЕ: по завершении сушки всегда производится цикл охлаждения белья.

Только сушка

Нажмите кнопку  для выполнения только сушки. Выбрав нужную программу, совместимую с типом белья, при нажатии кнопки  исключается стирка и активируется сушка на максимальном уровне, предусмотренном выбранной программой. Можно изменить и задать уровень или продолжительность сушки, нажав кнопку . (Несовместима с программами 1-2-3-4 и 14).

Как задать режим ополаскивания.

Дополнительная функция  позволяет выбрать нужный режим полоскания для чувствительной кожи. При первом нажатии кнопки задается режим «**Доп. полоскание +1**», позволяющий выбрать дополнительное полоскание помимо стандартного цикла полоскания, для удаления всех остатков стирального вещества. В зависимости от нажатия кнопки задается режим «**Доп. полоскание +2**», позволяющий выбрать два дополнительных режима полоскания помимо стандартного цикла полоскания, что рекомендуется для наиболее чувствительной кожи. При третьем нажатии кнопки задается «**Доп. полоскание +3**» режим, позволяющий выбрать 3 ополаскивания в дополнение к ополаскиванию стандартного цикла. Если это дополнительная функция активируется в программах с температурой 40°C, она позволяет удалить основные аллергены, такие как кошачья и собачья шерсть и пыль, в программах с температурой выше 40°C достигается отличный уровень защиты от аллергенов. Новь нажмите кнопку для возврата к «**Обычное полоскание**» режиму полоскания. Если невозможно задать или изменить данную настройку, на дисплее отображается «**НЕ ВЫБРАН**» или «**БЕЗ ИЗМЕНЕНИИ**».

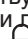

Изменение параметров цикла.

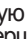
- Нажмите кнопку для включения функции; На дисплее загорается соответствующий светоиндикатор.
- Вновь нажмите кнопку для отключения функции; На дисплее гаснет соответствующий светоиндикатор.

! В случае если выбранная функция не совместима с установленной программой, тусклым светом загорится соответствующий светоиндикатор, кроме того, о такой несовместимости предупредит звуковая сигнализация (3 сигнала), а на дисплее появится надпись «**НЕ ВЫБРАН**».

! В случае если выбранная функция не совместима с предыдущей установленной функцией, на дисплее высвечивается надпись «**НЕ ВЫБРАН**», активация функции будет невозможной.

! Дополнительные функции могут изменить рекомендуемую загрузку машины и/или продолжительность цикла.





- 7. ПУСК ПРОГРАММЫ.** Нажмите кнопку ПУСК/ПАУЗА: Соответствующий индикатор загорится зеленым светом, и люк заблокируется (символ ЛЮК ЗАБЛОКИРОВАН  загорится). В процессе стирки на дисплее показывается название текущей фазы. Для изменения программы в процессе выполнения цикла переключите машину в режим паузы при помощи кнопки ПУСК/ПАУЗА (индикатор ПУСК/ПАУЗА редко мигает оранжевым цветом). Затем выберите новый цикл и вновь нажмите кнопку ПУСК/ПАУЗА. Если требуется открыть люк после пуска цикла, нажмите кнопку ПУСК/ПАУЗА. Когда погаснет индикатор, ЛЮК ЗАБЛОКИРОВАН , можно открыть люк. Вновь нажмите кнопку ПУСК/ПАУЗА для возобновления программы с момента, в который она была прервана.
- 8. ЗАВЕРШЕНИЕ ПРОГРАММЫ.** Показывается сообщением на дисплее «**КОНЕЦ ЦИКЛА**». После того, как погаснет символ ЛЮК ЗАБЛОКИРОВАН , можно будет открыть люк. Откройте люк, выгрузите белье и выключите машину.

! Для отмены уже запущенного цикла нажмите на несколько секунд кнопку . Цикл прервется и машина выключится.

Технология Direct Injection

Стиральная машина оснащена новой технологией предварительного смешивания «Direct Injection», которая с первых минут стирки смешивает воду с моющим средством, превращая его в активный мусс и мгновенно активируя его очищающие свойства. Активный мусс подается в барабан стиральной машины и более эффективно проникает в волокна ткани, удаляя даже трудно выводимые загрязнения при низкой температуре, сохраняя при этом ткань и её цвет. Режим «**ЭФФЕКТИВНОСТЬ**» подходит для достижения лучшего результата стирки, режим «**ЭКОНОМИЯ ЭНЕРГИИ**» для снижения потребления электроэнергии.

Таблица программ

Программы	Описание программы	Макс темп. (°C)	Макс. скорость (об./мин.)	Сушка	Стиральные средства		Макс. загрузка (кг)	Продолжительность цикла	
					Стирка	Ополаскиватель			
ANTI CREASE									
1	Стирка+Сушка Daily Mix	40°	800	●	●	●	3	Продолжительность программ стирки можно проверить по дисплею.	
2	Стирка+Сушка Рубашек	40°	1000	●	●	●	2		
3	Пре-Глажка	-	-	-	-	-	1,5		
4	Освежить Паром	-	-	-	-	-	2		
DAILY CLEAN									
5	Удал. Пятен Турбо 45 Мин	20° (Max. 40°C)	1200	●	●	●	4		
6	Удал. Пятен Ультра 20°C	40°	1400	●	●	●	9		
7	Хлопок: сильнозагрязненное белое и деликатное цветное бельё.	40° (Max. 90°C)	1400	●	●	●	9		
8	Эко Хлопок  (1-2): сильнозагрязненное белое и прочное цветное бельё.	60°	1400	●	●	●	9		
9	Синтетика (3): Сильнозагрязненное прочное цветное бельё.	40° (Max. 60°C)	1000	●	●	●	4,5		
SPECIALS									
10	Цветные Ткани	40°	1400	●	●	●	9		
11	Ультра Деликатное	30°	--	●	●	●	1		
12	Шерсть: Для шерсти, кашемира и т.д.	40°	800	●	●	●	2		
13	Спорт	40°	600	●	●	●	4		
14	Быстр.Стирка 30 минут (**): Для быстрого освежения малозагрязнённого белья (не для шерсти, шелка и изделий ручной стирки).	30°	800	●	●	●	3,5		
ДОПОЛНИТЕЛЬНЫЕ									
	Полоскание	-	1400	●	-	●	9		
	Отжим + Слив	-	1400	●	-	-	9		
	Только Слив *	-	--	-	-	-	9		

* При выборе программы  с исключением отжима машина выполняет только слив.

** Если задается также цикл сушки, машина выполнит программу "стирка+сушка" продолжительностью 45 мин. на максимальных оборотах отжима, при весе загруженного белья 1 кг.

Продолжительность цикла, показанная на дисплее или указанная в инструкциях является расчетом, сделанным на основании стандартных условий. Фактическая продолжительность может варьировать в зависимости от многочисленных факторов таких как температура и давление воды на подаче, температура помещения, количество моющего средства, количество и тип загруженного белья, балансировка белья, выбранные дополнительные функции.

- 1) Программы управления в соответствии с Директивой EN 50229: задайте программу 8 с температурой 60°C.
- 2) Длинная программа для х/б белья: Выберите программу 8 с температурой 40°C и нажмите кнопку ПРЕДВ. СМЕШИВАНИЕ в режиме "ЭФФЕКТИВНОСТЬ".
- 3) Синтетический длинный программа: установить программу 9 с температурой 40° C.


Функции стирки

! В случае если выбранная функция не совместима с установленной программой, тусклым светом загорится соответствующий светоиндикатор, кроме того, о такой несовместимости предупредит звуковая сигнализация (3 сигнала), а на дисплее появится надпись "НЕ ВЫБРАН".

! В случае если выбранная функция не совместима с предыдущей установленной функцией, на дисплее высвечивается надпись "НЕ ВЫБРАН", активация функции будет невозможной.

Обработка Паром

При выборе этой функции повышается эффективность стирки за счет выделения пара, который в процессе цикла удаляет также возможные бактерии из тканей, в то же время стирая их.

Загрузите белье в корзину, выберите совместимую программу и выберите функцию .

! В процессе работы стиральной машины люк может запотеть из-за парообразования.

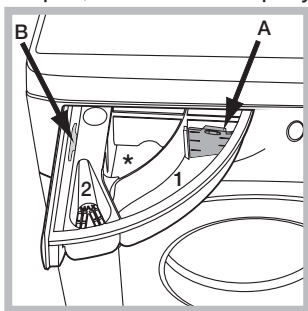
Стиральные вещества и типы белья

RU

Распределитель моющих средств

Хороший результат стирки зависит также от правильной дозировки стирального вещества: избыток стирального вещества не гарантирует более эффективную стирку, напротив, способствует образованию налетов внутри стиральной машины и загрязнению окружающей среды.

! Не используйте моющие средства для ручной стирки, так как они образуют слишком много пены.



Выньте распределитель и поместите в него моющее средство или добавку в следующем порядке.

! Не помещайте моющее средство в центральный лоток (*).

Отделение 1: моющее средство для стирки (порошок или жидкое)

В случае использования

жидкого стирального вещества рекомендуется использовать прилагающийся дозатор **A** для правильной дозировки. Для использования стирального порошка вставьте дозатор в нишу **B**.
Отделение 2: добавки (ополаскиватель и т.д.)
Не наливайте ополаскиватель выше решетки отделения.

Подготовка белья

- Разделите белье по следующим признакам:
 - тип ткани / обозначения на этикетке.
 - цвет: отделите цветное белье от белого.
- Выньте из карманов все предметы и проверьте пуговицы.
- Не превышайте значения, указанные в «Таблице программ», указывающие вес сухого белья:

Сколько весит белье?

- 1 простыня 400-500 гр.
- 1 наволочка 150-200 гр.
- 1 скатерть 400-500 гр.
- 1 халат 900-1200 гр.
- 1 полотенце 150-250 гр.

Специальные программы

Стирка+Сушка Daily Mix: использовать программу 1 для стирки и сушки вещей смешанного состава (Хлопок и Синтетика). При выборе этого цикла можно постирать и высушить вплоть до 3 кг белья; *рекомендуется использовать жидкое стиральное средство.*

Благодаря использованию пара программа оптимизирована на снижение складок на вещах, с целью более легкой последующей глажки.

Стирка+Сушка Рубашек: использовать программу 2 для стирки и сушки рубашек и джемперов разных составов и цветов, гарантируя максимально бережное отношение к ним. При выборе этого цикла можно постирать и высушить вплоть до 2 кг вещей. Для получения оптимальных результатов используйте жидкое стиральное вещество; предварительно обработайте манжеты, воротнички рубашек и пятна. Благодаря использованию пара программа оптимизирована на снижение складок на вещах, с целью более легкой последующей глажки.

Пре-Глажка: использовать эту программу непосредственно перед глажкой; макс. загрузка составляет 1,5 кг.

Благодаря использованию пара программа оптимизирована на снижение складок на вещах, с целью более легкой последующей глажки.

Освежить Паром: для освежения белья, устранения неприятных запахов и расслабления волокон путем подачи в барабан пара. В конце цикла белье будет влажным.

Удал. Пятен Турбо 45 Мин: этот цикл гарантирует отличную способность удаления пятен даже при 20°C всего за 45 минут. Для этого цикла можно повысить температуру до 40°C.

Удал. Пятен Ультра 20°C: эта программа обеспечивает максимальную способность удаления пятен без необходимости их предварительной обработки, при низкой температуре, сохраняя качество тканей и цвета.

Цветные Ткани: для стирки цветных изделий из хлопка. Данная программа оптимизирована для поддержания яркости цветов даже после нескольких стирок.

Ультра Деликатное: используйте программу 11 для стирки очень деликатного белья со стразами или блестками.

Рекомендуется вывернуть наизнанку белье перед стиркой и поместить мелкое белье в специальный мешочек для стирки деликатного белья. Для оптимизации результатов рекомендуется использовать жидкое стиральное вещество для деликатного белья. При выборе режима сушки только по времени по завершении стирки выполняется особо деликатная сушка за счет легкого вращения барабана и потока воздуха с температурой, контролируемой особым образом.

Рекомендуемая продолжительность:

- 1 кг синтетического белья --> 165 мин.
- 1 кг синтетического и х/б белья --> 180 мин.
- 1 кг х/б белья --> 180 мин.

Степень сушки зависит от объема загруженного белья и от типа белья.

ШЕРСТЬ - Woolmark Apparel Care - Green:

Цикл стирки «Шерсть» данной стиральной машины получил утверждение Компании Woolmark для стирки шерстяных изделий, имеющих классификацию «ручная стирка», при условии, что стирка выполняется согласно инструкциям, указанным на этикетке вещи, и инструкций поставщика настоящей стиральной машины.



Спорт: предназначена для стирки слабо загрязненной спортивной одежды (спортивные костюмы, полотенце, носки и др.); для достижения оптимальных результатов рекомендуем не превышать максимальный размер загрузки, указанный в «Таблице программ». Рекомендуем использовать жидкие моющие средства в количестве, соответствующем половине загрузки.

Система балансировки белья

Перед каждым отжимом во избежание чрезмерных вибраций и для равномерного распределения белья в барабане машина производит вращения со скоростью, слегка превышающей скорость стирки. Если после нескольких попыток белье не будет правильно сбалансировано, машина произведет отжим на меньшей скорости по сравнению с предусмотренной.

Если ваша стиральная машина не работает. Прежде чем обратиться в Центр Сервисного обслуживания (см. *Сервисное обслуживание*), проверьте, можно ли устранить неисправность, следуя рекомендациям, приведенным в следующем перечне.

Неисправности:

Стиральная машина не включается.

Возможные причины / Методы устранения:

- Штепсельная вилка не соединена с электро розеткой или отходит и не обеспечивает контакта.
- В доме отключено электричество.

Цикл стирки не запускается.

- Люк машины закрыт неплотно.
- Не была нажата кнопка ON/OFF.
- Не была нажата кнопка ПУСК/ПАУЗА.
- Перекрыт водопроводный кран.
- Была запрограммирована задержка запуска цикла.

Стиральная машина не заливает воду (На дисплее показывается сообщение «НЕТ ВОДЫ, Открыть кран»).

- Водопроводный шланг не подсоединен к крану.
- Шланг согнут.
- Перекрыт водопроводный кран.
- В доме нет воды.
- Недостаточное водопроводное давление.
- Не была нажата кнопка ПУСК/ПАУЗА.

Машина непрерывно заливает и сливает воду.

- Сливной шланг не находится на высоте 65 – 100 см. от пола (см. «Установка»).
- Конец сливного шланга погружен в воду (см. «Установка»).
- Настенное сливное отверстие не оснащено вантузом для выпуска воздуха. Если после вышеперечисленных проверок неисправность не будет устранена, следует перекрыть водопроводный кран, выключить стиральную машину и обратиться в Центр Сервисного Обслуживания. Если ваша квартира находится на последних этажах здания, могут наблюдаться явления сифона, поэтому стиральная машина производит непрерывный залив и слив воды. Для устранения этой аномалии в продаже имеются специальные клапаны против явления сифона.

Стиральная машина не сливает воду и не отжимает белье.

- Выбранная программа не предусматривает слив воды: для некоторых программ необходимо включить слив вручную.
- Сливной шланг согнут (см. «Установка»).
- Засорен сливной трубопровод.

Стиральная машина сильно вибрирует в процессе отжима.

- В момент установки стиральной машины барабан был разблокирован неправильно (см. «Установка»).
- Стиральная машина установлена неровно (см. «Установка»).
- Машина зажата между стеной и мебелью (см. «Установка»).

Утечки воды из стиральной машины.

- Плохо прикручен водопроводный шланг (см. «Установка»).
- Засорен распределитель моющего средства (порядок его чистки см. в параграфе «Техническое обслуживание и уход»).
- Сливной шланг плохо закреплен (см. «Установка»).

Машина заблокирована, дисплей мигает и показывает код неисправности (наприм., F-01, F-..).

- Выключите машину и выньте штепсельную вилку из сетевой розетки, подождите 1 минуту и вновь включите машину. Если неисправность не устраняется, обратитесь в Сервисную Службу.

В процессе стирки образуется слишком обильная пена.

- Моющее средство непригодно для стирки в стиральной машине (на упаковке должно быть указано «для стирки в стиральной машине», «для ручной и машинной стирки» или подобное).
- В распределитель было помещено чрезмерное количество моющего средства.

Стиральная машина не производит сушку.

- Штепсельная вилка не соединена с электро розеткой или отходит и не обеспечивает контакта.
- В доме отключено электричество.
- Люк машины закрыт неплотно.
- Была запрограммирована задержка запуска цикла.
- СУШКА находится в положении OFF.

Сервисное обслуживание

RU

Мы заботимся о своих покупателях и стараемся сделать сервисное обслуживание наиболее качественным. Мы постоянно совершенствуем наши продукты, чтобы сделать Ваше общение с техникой простым и приятным.

Уход за техникой

Продлите срок эксплуатации и снизьте вероятность поломки техники.

Воспользуйтесь профессиональными средствами для ухода за техникой от Indesit Professional для наиболее простого, эффективного и легкого ухода за Вашей бытовой техникой.

Продукты Indesit Professional производятся в Италии с соблюдением высоких европейских стандартов в области качества, экологии и безопасности использования и созданы с учетом многолетнего опыта производителя техники. Узнайте подробнее на сайте www.hotpoint-ariston.com в разделе «Сервис» и спрашивайте в магазинах Вашего города.

Авторизованные сервисные центры

Чтобы быть ближе к нашим потребителям, мы создали широкую сервисную сеть, особенностью которой является высокая подготовка, профессионализм и честность сервисных мастеров. На сегодняшний день она насчитывает около 350 сервисных центров на территории России и СНГ.

Их контакты Вы можете найти в сервисном сертификате и на сайте www.hotpoint-ariston.com в разделе «Сервис».

Если вам надо обратиться в сервисный центр:

Внимание! При ремонте требуйте использования оригинальных запасных частей.

Перед тем как обратиться в Службу Сервиса:


- Проверьте, нельзя ли устранить неисправность самостоятельно (см. «Неисправности и методы их устранения»);
- Вновь запустите программу для проверки исправности машины;
- В противном случае обратитесь в Авторизованный Сервисный Центр по телефонам, указанным в гарантийном таллоне.

! Никогда не обращайтесь к неавторизованным сервисным центрам.

При обращении в Сервисную Службу необходимо сообщить:

- тип неисправности;
- номер гарантийного документа (сервисной книжки, сервисного сертификата и т.п.);
- модель машины (Мод.) и серийный номер (S/N), указанные в информационной табличке, расположенной на задней панели стиральной машины.

Другую полезную информацию и новости Вы можете найти на сайте www.hotpoint-ariston.com в разделе «Сервис».

!  Бұл таңба осы пайдаланушы нұсқаулығын оқуды еске салады.

KZ

KZ

Қазақша

RDPD 96407 J

Мазмұны

Орнату, 38-39

Қаптамадан алу және түзулеу
Ток пен суды қосу
Бірінші жуу циклы
Техникалық деректері

Күтім және пайдалану, 40

Су мен тоқты өшіру
Кір жуғыш машинаны тазалау
Жуғыш зат тартпасын тазалау
Құрылғының есігі мен барабанына күтім көрсету
Сорғыны тазалау
Судың кіріс түтігін тексеру

Сақтандырулар мен кеңестер, 41

Жалпы қауіпсіздік
Қоқысқа тастау
Сақтау және тасымалдау шарттары
Есікті қолмен ашу

Кір жуғыш машина сипаттамасы, 42-43

Басқару тақтасы
Дисплей

Жуу циклын немесе кептіру циклын іске қосу» тарауын қараңыз, 44

Жуу циклдары мен функциялары, 45

Жуу циклдарының кестесі
Жуу функциялары

Жуғыш заттар мен кірлер, 46

Жуғыш зат тартпасы
Кірлерді дайындау
Арнайы жуу циклдары
Жүкті теңестіру жүйесі

Ақаулықтарды жою, 47

Қызмет көрсету, 48

Hotpoint
ARISTON

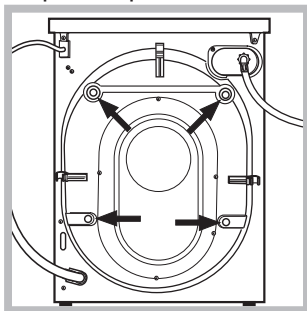
! Бұл нұсқаулықты кейін қарау үшін жоғалып қалмайтындай бір жерге сақтап қою керек. Кір жуғыш машина сатылса, тасымалданса немесе көшірілсе, нұсқаулық құрылғымен бірге болатынын қамтамасыз етіңіз, солайша жаңа иесі оның жұмысы мен мүмкіндіктерімен танысады.

! Осы нұсқаулықты мұқият оқып шығыңыз: оның ішінде құрылғыны қауіпсіз орнату және қолдану туралы маңызды ақпараттар қамтылған.

Қаптамадан алу және түзулеу

Қаптамадан алу

1. Кір жуғыш машинаны қаптамасынан алыңыз.
2. Тасымалдау барысында кір жуғыш машина зақымдалмағанын тексеріңіз. Ол зақымдалған болса, сатушыға хабарласыңыз және орнату үдерісін тоқтатыңыз.



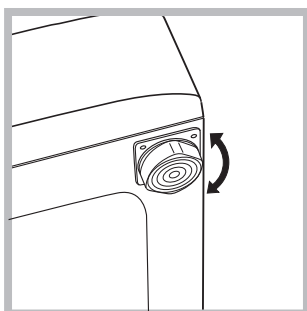
3. Құрылғының артқы жағында орналасқан 4 қорғаныш бұрандасын (тасымалдау кезінде қолданылады) және тиісті төсемі бар резеңке тығырықты алып тастаңыз (суретті қараңыз).

4. Тесіктерді бірге берілген пластикалық тығындармен жабыңыз.
5. Барлық бөлшектерді сақтап қойыңыз: кір жуғыш машинаны басқа жерге тасымалданатын болса, олар керек болады.

! Қаптама материалдарын балалардың ойыншығы ретінде қолдануға болмайды.

! Ораушы және жеке оның элементтері азықпен байланысу үшін арналмаған.

Түзулеу



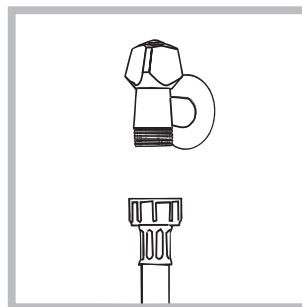
1. Кір жуғыш машинаны қабырғаға, жиһазға, шкафқа немесе басқа кез келген затқа сүйемей, тегіс әрі қалыпты еденге орнатыңыз.

2. Еден түзу болмаса, алдыңғы аяқтарды қатайту немесе босату арқылы құрылғыны түзулеңіз (суретті қараңыз); құрылғының үстіңгі жағымен салыстырып өлшенген еңкею бұрышы 2°-тан аспауы керек.

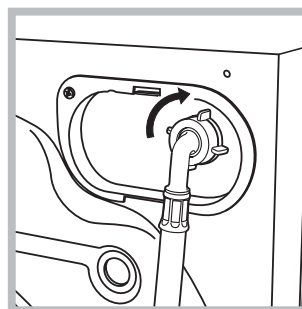
Құрылғы дұрыс түзулеу оған тұрақтылық береді, дірілдеу мен шамадан тыс шуылдың болмауына көмектеседі және жұмыс істеген кезде қозғалуына жол бермейді. Құрылғы кілемге немесе кілемшеге қойылса, аяқтарын оның астында вентиляция үшін жеткілікті орын болатындай реттеу керек.

Ток пен суды қосу

Судың кіріс түтігін жалғау



1. Су жеткізу түтігін суық су шүмегіне 3/4 газдық бұранда қосылымын пайдалана отырып бұрап жалғаңыз (суретті қараңыз). Жалғамас бұрын су тап-таза болғанша, оны ағызып алыңыз.



2. Кіріс түтігін кір жуғыш машинаның артқы жағының жоғарғы оң жағында орналасқан тиісті су кірісіне бұрап жалғаңыз (суретті қараңыз).

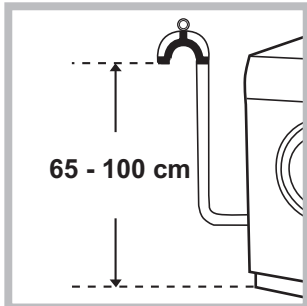
3. Түтік бүктелмегеніне немесе майыстырылмағанына көз жеткізіңіз. Шүмектегі су қысымы Техникалық мәліметтер кестесінде көрсетілген мәндер аралығында болуы тиіс (келесі бетті қараңыз).

! Кіріс түтігінің ұзындығы жеткіліксіз болса, мамандырылған дүкенге немесе куәландырылған маманға хабарласыңыз.

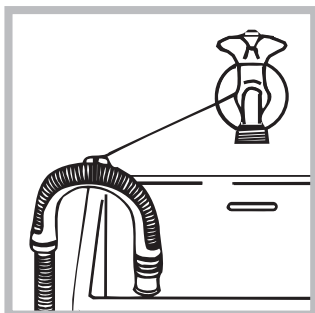
! Бұрын қолданылған түтіктерді пайдаланушы болмаңыз.

! Құрылғымен бірге берілген түтіктерді қолданыңыз.

Ағызу түтігін жалғау



Ағызу түтігін майыстырмай, еденнен 65-100 см жоғары орналасқан ағызу құбырына немесе қабырғадағы канализация құбырына жалғаңыз;



немесе, оны ваннаға салып, берілген түтікті шүмекке бекітіңіз (*суретті қараңыз*). Түтіктің шеті су астында болмауы тиіс.

! Түтікті ұзартуға қарсымыз; бірақ басқа амалы болмаса, ұзарту түтігінің диаметрі бастапқы түтіктің диаметрімен бірдей болуы және оның ұзындығы 150 см-ден аспауы керек.

Электр қосылымдары

Құрылғыны розеткаға қоспас бұрын, мына жағдайларға көз жеткізіңіз:

- розетка жерге тұйықталған және қолданыстағы заңды ережелерге сәйкес келеді;
- розетка Техникалық деректер кестесінде көрсетілген құрылғының ең жоғарғы қуатына төзімді (*жанындағы ақпаратты қараңыз*);
- қуат көзінің кернеуі Техникалық деректер кестесіндегі мәндер ауқымында (*жанындағы ақпаратты қараңыз*);
- розетка кір жуғыш машинаның айырына сәйкес келеді. Олай болмаса, розетканы немесе айырды ауыстырыңыз.

! Жабық жер болса да, кір жуғыш машинаны сыртта орнатпау қажет. Құрылғыны жаңдайларында қалдыру аса қауіпті.

! Кір жуғыш машина орнатылғаннан кейін розеткаға оңай қол жеткізу мүмкін болуы тиіс.

! Бірнеше розеткалар мен ұзартқыш сымдарын пайдаланбаңыз.

! Сымды майыстыруға немесе оған қысым салуға болмайды.

! Ток сымын тек өкілетті мамандар ауыстыруы тиіс.

Ескерту! Осы ережелер сақталмаған жағдайда, компания жауапты болмайды.

Бірінші жуу циклы

Құрылғы орнатылғаннан кейін және оны алғаш рет пайдаланбас бұрын, "Өзін-өзі тазалау" жуу циклын қолдана отырып, жуғыш затпен кірлерді салмай-ақ, жуу циклын іске қосыңыз («Кір жуғыш машинаны тазалау»).

Техникалық деректері	
Үлгі	RDPD 96407 J
Өлшемдері	ені 59,5 см биіктігі 85 см тереңдігі 54 см
Сыйымдылығы	жуу бағдарламасы үшін 1-9 кг; кептіру бағдарламасы үшін 1-6 кг
Электр қосылымдары	құрылғыға бекітілген техникалық деректер тақтасын қараңыз
Су қосылымдары	ең жоғары қысым 1 МПа (10 бар) ең төмен қысым 0,05 МПа (0,5 бар) барабан сыйымдылығы 58 литр
Айналдыру жылдамдығы	1400 айналым/мин мәніне дейін
Қуатты есептеу бағдарламалары мына стандартқа сәйкес: EN 50229	Жуу: 8 (60°) бағдарламасы; 9 кг жүкті қолдана отырып. Кептіру: үлкен жүктеме (6кг) кебу деңгейін таңдау арқылы кептірілген тиіс "EXTRA". жүктеменің қалғанын "EXTRA" кептіру деңгейін таңдау арқылы кептіру қажет: жүктеме 3 ақжаймадан, 2 жастыққаптан және 1 қол орамалынан тұруы тиіс.
 	Бұл құрылғы төмендегі ЕО директиваларына сәйкес келеді: - 2004/108/ЕС (Электр магниттік үйлесімділік) - 2006/95/ЕС (Төмен кернеу) - 2012/19/EU (WEEE)

Күтім көрсету және техникалық қызмет көрсету

KZ


Су мен токты өшіру

- Әрбір жуу циклынан кейін су шүмегін жауып отырыңыз. Бұл кір жуғыш машинаның ішіндегі гидравликалық жүйенің тозуын шектейді және су ағып кетудің алдын алуға көмектеседі.
- Кір жуғыш машинаны тазалаған кезде және техникалық қызмет көрсету жұмыстарын орындаған кезде оны токтан ажыратыңыз.

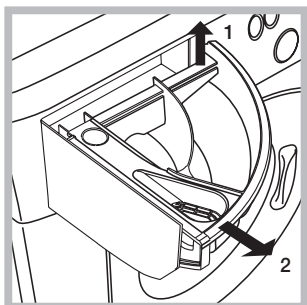
Кір жуғыш машинаны тазалау

• Құрылғының сыртқы жақтары мен резеңкеден жасалған құрамдас бөліктерін жылы сабынды сумен суланған жұмсақ шүберекпен тазалауға болады. Еріткіштерді немесе абразивті заттарды қолданбаңыз.

• Кір жуғыш машинада ішкі бөлшектеріне арналған «Өзін-өзі тазалау» бағдарламасы бар, оны **барабанға ешбір зат салмай** іске қосу керек.

Бұл циклды оңтайландыру үшін кір жуғыш машинаны тазалау мақсатында жуғыш затты (қатты ластанған киімдер үшін берілген мөлшердің 10%) немесе арнайы қосымша заттарды пайдалануға болады. Тазалау бағдарламасын әр 40 жуу циклында бір рет іске қосқан абзал. Бағдарламаны іске қосу үшін,  түймесін 5 секунд басып тұрыңыз, одан кейін **БАСТАУ/ТОҚТАТА ТҰРУ** түймесін басып, шамамен 70 минут орындалатын бағдарламаны бастаңыз.

Жуғыш зат тартпасын тазалау



Диспенсерді көтеріп, тарту арқылы шығарып алыңыз (*суретті қараңыз*). Оны су ағыны астында жуыңыз; бұл әрекетті жиі қайталап тұру керек.

Құрылғының есігі мен барабанына күтім көрсету

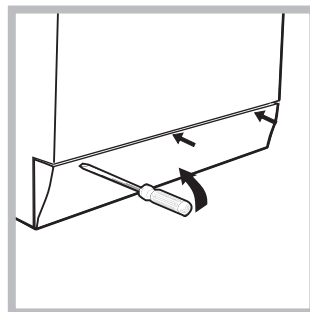
- Жағымсыз иістер пайда болмауы үшін есікті әрқашан сәл ашып қою керек.

Сорғыны тазалау

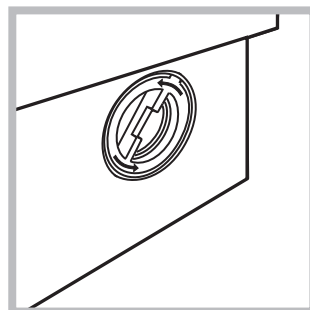
Кір жуғыш машина ешбір техникалық қызмет көрсетуді қажет етпейтін, өзін-өзі тазалайтын сорғымен жабдықталған. Кейде кіші заттар (тиындар немесе түймелер сияқты) сорғының төменгі жағындағы, оны қорғайтын алдыңғы камераға түсіп кетуі мүмкін.

! Жуу циклы аяқталғанына көз жеткізіңіз де, құрылғыны розеткадан ағытыңыз.

Алдыңғы камераға қол жеткізу үшін:



1. бұрағыштың көмегімен, кір жуғыш машинаның алдыңғы төмен бөлігіндегі қақпақ панелін алып тастаңыз (*суретті қараңыз*);



2. қақпақты сағат тіліне қарсы бағытта бұру арқылы бұрап шығарып алыңыз (*суретті қараңыз*): кішкене су ағып кетуі мүмкін. Бұл қалыпты жағдай;

3. ішін жақсылап тазалаңыз;
4. қақпақты орнына бұраңыз;
5. құрылғыға итеріп салмас бұрын, ілмектері орнына мықтап отырғанына көз жеткізіп, панельді орнына қойыңыз.

Судың кіріс түтігін тексеру

Кіріс түтігін кем дегенде жылына бір рет тексеріңіз. Шатынаған болса, оны дереу ауыстыру керек: жуу циклдарының барысында су қысымы өте жоғары болады және шатынаған түтік жарылып кетуі әбден мүмкін.

! Бұрын қолданылған түтіктерді пайдаланушы болмаңыз.

! Бұл кір жуғыш машина халықаралық қауіпсіздік ережелеріне сай өңделіп шығарылған. Төмендегі ақпарат қауіпсіздік ережелерін ескерту мақсатында берілген және оны мұқият оқып шығу қажет.

Жалпы қауіпсіздік

- Бұл құрылғыны қауіпсіз түрде қолдану бойынша кеңес не нұсқау берілген және ықтимал қауіп-қатерлерді түсінетін жағдайда, оны 8-ге толған балалар мен дене, сезіну немесе ой қабілеті төмен немесе тәжірибесі мен білімі жеткіліксіз адамдар қолдана алады.
 - Кептіргіш ішінде жуылмаған заттарды кептірмеңіз.
 - Ас майы, ацетон, спирт, бензин, керосин, дақ кетіргіштер, скипидар, балауыз бен балауыз кетіргіштері сияқты заттармен кірленген нәрселерді кептіргіште кептіруден бұрын көбірек жуғыш зат қосып, ыстық суда жуу керек.
 - Пенопласт (латекс көбігі), душ қалпақтары, су өткізбейтін маталар, резеңке қосылған маталар мен киімдер немесе пенопласт төсемдері бар жастықтарды кептіргіште кептіруге болмайды.
 - Кондиционерлерді немесе оған ұқсас өнімдерді кондиционер нұсқауларына сәйкес қолдану керек.
 - Кептіргіш циклының соңғы бөлігі қызусыз орындалады (салқындату циклы), солайша заттар зақымдалмайтын температурада ұсталатыны қамтамасыз етіледі.
- **ЕСКЕРТУ:** Барлық заттар жылдам алынып, қызу шашылып кететіндей таратылмаса, кептіру циклы аяқталмағанша кептіргішті тоқтатушы болмаңыз.
- Бұл құрылғы тек үйде пайдаланылуға арналған.
- Құрылғыны жалаң аяқ немесе қолыңыз немесе аяғыңыз ылғал болғанда ұстамаңыз.
- Құрылғыны розеткадан ағытқан кезде ток кабелінен ұстап тартпаңыз. Айырды ұстап тартыңыз.
- Құрылғы жұмыс істеп тұрған кезде жуғыш зат тартпасын ашпаңыз.
- Ағызылған суға тиемеңіз, себебі оның температурасы өте жоғары болуы мүмкін.
- Есікті күштеп тартпаңыз. Әйтпесе, кездейсоқ ашудан қорғауға арналған қауіпсіздік құлпы механизмі зақымдалуы мүмкін.
- Құрылғы бұзылып қалса, ешбір жағдайда өз бетіңізбен жөндеу мақсатында ішкі бөліктерге тиюші болмаңыз.
- Өрқашанда балаларды құрылғыдан алыс ұстаңыз.
- Жуу циклы барысында есік қатты қызып кетуі мүмкін.
- Құрылғыны жылжыту керек болса, екі немесе үш адамнан тұратын топпен жұмыс істеңіз және де өте абай болыңыз. Мұны жалғыз өзіңіз орындаушы болмаңыз, себебі құрылғы өте ауыр.
- Кірлерді кір жуғыш-кептіргіш машинаға салмас бұрын, барабан бос екеніне көз жеткізіңіз.
- Кептіру кезеңі барысында есік өте қызып кетуі мүмкін.
- Жанғыш еріткіштермен (мысалы, трихлорэтилен) жуылған киімдерді кептіру үшін құрылғыны пайдаланбаңыз.
- Құрылғыны пенопластты немесе оған ұқсас эластомерлерді кептіру үшін қолданбаңыз.
- Кептіру циклдары барысында су шумегі ашық екеніне көз жеткізіңіз.
- Қалталардан барлық заттарды алып тастаңыз, мысалы шақпақтар немесе сіріңке.
- Өрдайым бақылап отырмаған жағдайда, 3-ке толмаған балаларды құрылғыдан аулақ ұстау керек.

Қоқысқа тастау

- Орама материалдарын қоқысқа тастау: ораманың қайта пайдаланылуы мүмкін болатындай жергілікті ережелерді орындаңыз.
- Электр және электроникалық құралдардың қалдықтарына қатысты 2012/19/EU - WEEE Еуропа заңнамасына сәйкес үй құрылғылары қалыпты сортталмаған қалалық қалдық ағымымен бірге жойылмауы тиіс. Қоршаған орта мен адам денсаулығына тиетін зиянның алдын ала отырып, ескі құрылғылар қайта пайдалануды және қайта өңдеуді оңтайландыру мақсатында бөлек жиналуы керек. Өнімдегі сызылған «доңғалақты қоқыс жәшік» сізге құрылғыны тастаған уақытта бөлек жиналуы туралы есіңізге салады. Ескі құрылғыларды дұрыс тастау жөнінде ақпарат алу үшін пайдаланушылар жергілікті өкілдеріне немесе сатушыларына хабарласулары керек.

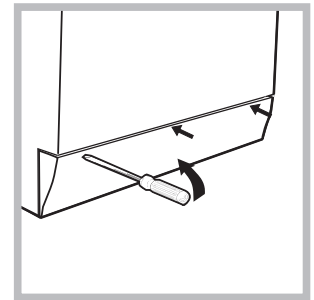
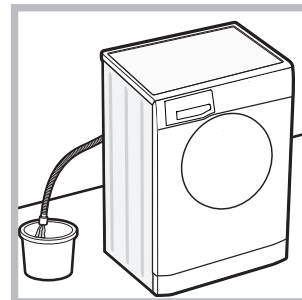
Сақтау және тасымалдау шарттары

- Буып түйілген кір жуғыш машина табиғи түрде желдетілетін, ылғалдығы 80 %-дан аспайтын жабық жайда сақталуы тиіс. Кір жуғыш машина ұзақ уақыт бойы қолданылмайтын болса және жылытылатын жайда сақталса, ішіндегі суды толығымен ағызу керек. Тасымалдамас бұрын кір жуғыш машинаның барабанына зақым келмеуі үшін, тасымалдау бұрандаларын машинадағы төлкелерге бекіту керек. Кір жуғыш машина бір орынға мықтап бекітіліп, кез келген жабық көлікпен тік қалыпта (жұмыс істеген кездегі қалпы) тасымалдануы тиіс. Тиеген және түсірген кезде кір жуғыш машинаға механикалық соққы тигізуге ТЫЙЫМ САЛЫНАДЫ.

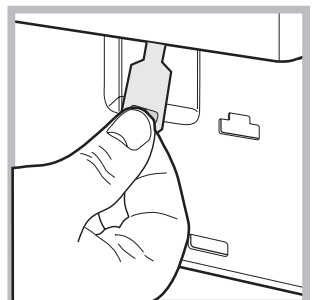
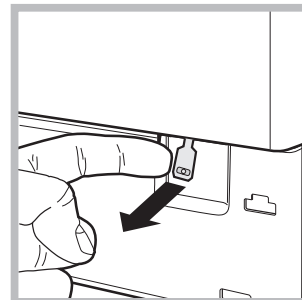
Есікті қолмен ашу

Ток өшіп қалғанға байланысты есікті ашу мүмкін болмаса және кірлерді алғыңыз келсе, төмендегі әрекеттерді орындаңыз:

1. айырды розеткадан ағытыңыз.



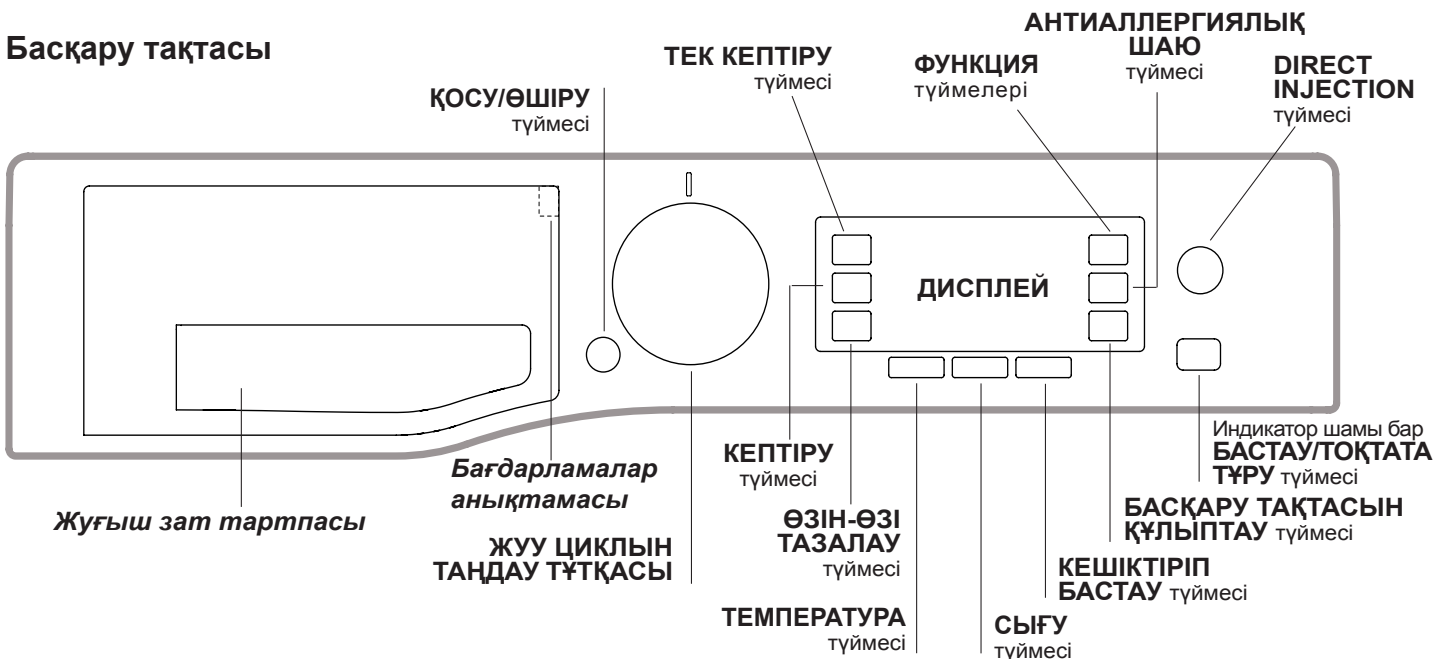
2. құрылғы ішіндегі судың деңгейі есік саңылауынан төмен екеніне көз жеткізіңіз; олай болмаса, ағызу түтігінің көмегімен, суретте көрсетілгендей, артық суды шелекке ағызып алыңыз.
3. бұрағыштың көмегімен, кір жуғыш машинаның алдыңғы төмен бөлігіндегі қақпақ панелін алып тастаңыз (суретті қараңыз).



4. пластикалық арқалық өзінің тоқтау позициясынан босағанша, суретте көрсетілгендей, ілмектің көмегімен сыртқа қарай тартыңыз; төмен қарай тартып, бір уақытта есікті ашыңыз.
5. құрылғыға итеріп салмас бұрын, ілмектері орнына мықтап отырғанына көз жеткізіп, панельді орнына қойыңыз.

Кір жуғыш машина сипаттамасы

Басқару тақтасы



Жуғыш зат тартпасы: жуғыш заттар мен жуғыш қосындыларды енгізу үшін пайдаланылады («Жуғыш заттар мен кірлер» тарауын қараңыз).

Бағдарламалар анықтамасы: жуғыш зат диспенсерінің ішіндегі Бағдарламалар анықтамасында қолдануға болатын барлық бағдарламалар және диспенсердің бөліктерін қолдану жөніндегі сызбалық нұсқаулық көрсетілген.

ҚОСУ/ӨШІРУ түймесі: оны құрылғыны қосу немесе өшіру үшін аз уақыт басыңыз. БАСТАУ/ТОҚТАТА ТҰРУ индикатор шамы жасыл түспен баяу жыпылықтап тұрса, демек құрылғы қосылған. Жуу циклы барысында кір жуғыш машинаны өшіру үшін, түймені шамамен 3 секунд басып ұстап тұрыңыз; егер түйме аз уақыт немесе кездейсоқ басылса, құрылғы өшпейді. Құрылғы жуу циклы барысында өшірілсе, бұл жуу циклы доғарылады.

ЖУУ ЦИКЛЫН ТАҢДАУ ТҮТҚАСЫ: қажетті жуу циклын орнату үшін пайдаланылады («Бағдарламалар мен жуу циклдарының кестесін» қараңыз).

ФУНКЦИЯ түймелері: қажетті функцияны таңдау үшін түймені басыңыз. Дисплейдегі тиісті индикатор шамы жанады.

ӨЗІН-ӨЗІ ТАЗАЛАУ түймесі: құрылғының ішкі бөліктерін тазалау үшін басыңыз («Кір жуғыш машинаны тазалау»).

DIRECT INJECTION түймесі: DIRECT INJECTION опциясын таңдау үшін басыңыз.

АНТИАЛЛЕРГИЯЛЫҚ ШАЮ түймесі : қажетті шаю түрін таңдау үшін басыңыз.

СЫҒУ түймесі : сығу циклын азайту немесе толығымен алып тастау үшін басыңыз – мәні дисплейде көрсетіледі.

ТЕМПЕРАТУРА түймесі : температураны азайту үшін басыңыз: мән дисплейде көрсетіледі.

КЕПТІРУ түймесі : кептіруді азайту немесе алып тастау үшін басыңыз, таңдалған құрғақтық деңгейі немесе кептіру уақыты дисплейде көрсетіледі.

ТЕК КЕПТІРУ түймесі : кептіру циклін ғана орындау үшін басыңыз.

БАСҚАРУ ТАҚТАСЫН ҚҰЛЫПТАУ түймесі : басқару тақтасының құлпын қосу үшін түймені шамамен 2 секунд басып ұстап тұрыңыз. Дисплейде «KEY LOCK ON» (ТҮЙМЕЛЕР ҚҰЛПЫ қосылды) жазуы көрсетілгенде, басқару панелі құлыпталады (ҚОСУ/ӨШІРУ батырмасын қоспағанда). Яғни, жуу циклдарын кездейсоқ түрде өзгертуден қорғауға болады, әсіресе, үйде балалар болса. Басқару тақтасының құлпын өшіру үшін түймені шамамен 2 секунд басып ұстап тұрыңыз.

КЕШІКТІРІП БАСТАУ түймесі : таңдалған жуу циклы үшін кешіктіріп бастауды орнату үшін басыңыз. Кешіктіру уақыты дисплейде көрсетіледі.

Индикатор шамы бар **БАСТАУ/ТОҚТАТА ТҰРУ** түймесі: жасыл индикатор шамы баяу жыпылықтап тұрғанда, жуу циклын бастау үшін түймені басыңыз. Цикл басталғаннан кейін индикатор шамы бір қалыпта жанып тұрады. Жуу циклын тоқтата тұру үшін, түймені тағы бір рет басыңыз; индикатор шамы қызғылт сары түспен жыпылықтайды. таңбасы жанса, демек есікті ашуға болады. Жуу циклын тоқтатылған жерінен бастау үшін түймені тағы бір рет басыңыз.

Күту режимі

Осы кір жуғыш машина, жаңа қуатты үнемдеу ережелеріне сәйкес, ешбір әрекет байқалмаса, шамамен 30 минуттан кейін қосылатын автоматты күту жүйесімен жабдықталған. ҚОСУ-ӨШІРУ түймесін аз уақыт басып, құрылғының іске қосылуын күтіңіз.

Өшірулі режимдегі тұтыну: 0,5 W
Қосулы режимдегі тұтыну: 8 W

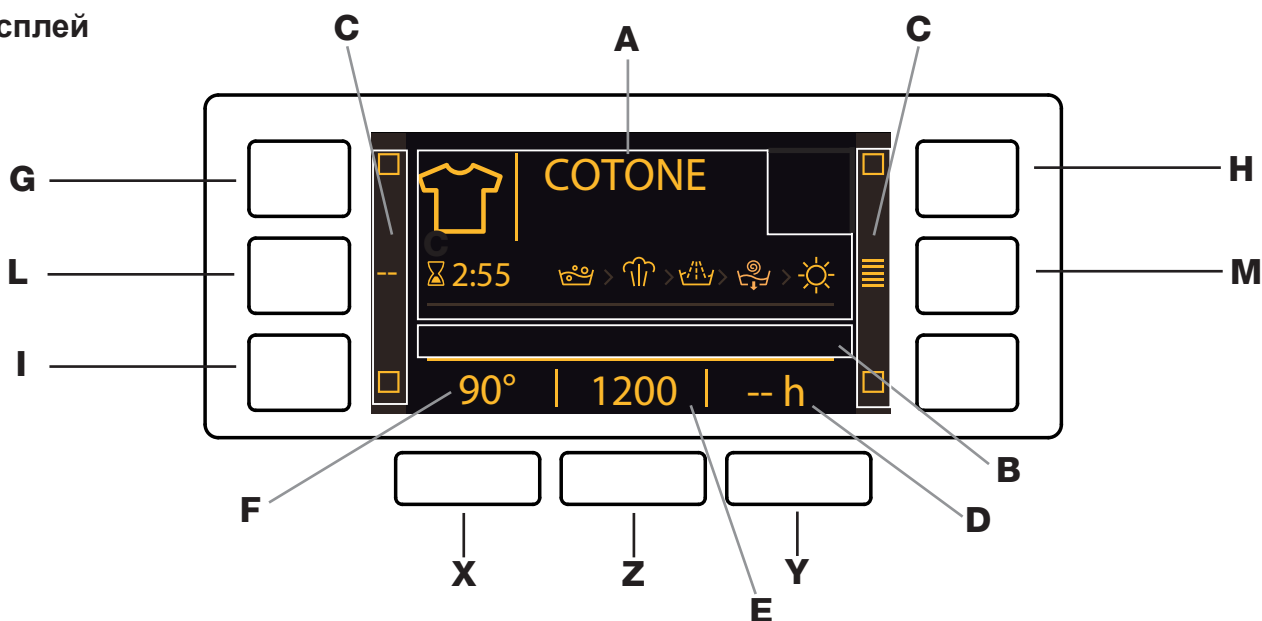
Антимикробтық тығыздағыш

Есікті айналдыра орнатылған тығыздағыш микробтардан қорғауды қамтамасыз етіп, бактериялардың өсуін 99,99 % азайтатын арнайы қоспадан жасалған. Тығыздағыштың құрамында дақтардың, жағымсыз иістердің пайда болуына және өнімнің нашарлауына себеп болатын бактериялар мен мүк сияқты зиянды микробтардың (*) өсуін азайтатын биоцидтік зат — цинк-пиритион бар.

(*) **Италиядағы Перуджа университеті өткізген сынақтарға сәйкес:** *Staphylococcus aureus*, *Escherichia coli*, *Pseudomonas aeruginosa*, *Candida albicans*, *Aspergillus niger*, *Penicillium digitatum*.

Сирек кездесетін кейбір жағдайларда, тығыздағыш адам терісіне ұзақ уақыт тисе, аллергиялық реакция байқалуы мүмкін.

Дисплей



Дисплей құрылғыны бағдарламалаған кезде пайдалы және өте көп ақпарат береді.

A аймағында мыналар көрсетіледі: белгіше мен таңдалған бағдарлама, жуу және кептіру кезеңдері, сондай-ақ циклдің аяқталуына дейін қалған уақыт.

B аймағында DIRECT INJECTION опциясына байланысты екі қарқындылық деңгейі болады.

Қолдануға болатын функциялардың тиісті индикатор шамдары **C** аймағында көрсетіледі.

КЕШІКТІРІП БАСТАУ функциясы орнатылған болса, **D** аймағында таңдалған бағдарламаның басталуына дейін қалған уақыт көрсетіледі.

E жолы ең көп сығу жылдамдығының мәнін көрсетеді (ол таңдалған жуу циклына байланысты болады); Бағдарламада сығу циклі болмаса, аймақта күңгірт "--" таңбасы көрсетіледі.

F аймағында орнатылған бағдарламаға қарай таңдауға болатын температура мәні көрсетіледі; бағдарламаның температурасын таңдау мүмкін болмаса, аймақта күңгірт "--" таңбасы көрсетіледі.

Есік құлыптаулы таңбасы

Таңба жанып тұрса, ол кір жуғыш машина есігінің кездейсоқ ашылуына жол бермеу үшін оның құлыпталғанын білдіреді. Кез келген зақымдалудың алдын алу үшін құрылғы есігін ашпас бұрын таңбаның өздігінен өшуін күтіңіз. Ескертпе: КЕШІКТІРІП БАСТАУ функциясы іске қосылған болса, есікті ашу мүмкін болмайды; оны ашу керек болса, БАСТАУ/ТОҚТАТА ТҰРУ түймесін басу арқылы құрылғыны тоқтатып қойыңыз.

! Құрылғы алғаш рет қосылғанда, сізден тілді таңдау сұралады және тілді таңдау мәзірі автоматты түрде көрсетіледі.

Қажетті тілді таңдау үшін **X** және **Y** түймелерін басыңыз; таңдауды растау үшін **Z** түймесін басыңыз.


Тілді өзгерту үшін құрылғыны өшіріңіз де, дыбыс сигналы естілгенше **G**, **H**, **I** түймелерін бір уақытта басыңыз: тілді таңдау мәзірі қайтадан көрсетіледі.



! Әдепкі мәні бойынша ең жоғарғы мәнге орнатылатын дисплей жарықтығын өзгерту үшін, құрылғыны өшіріп, сигнал берілгенше **G**, **L** және **M** түймелерін бірге басып тұрыңыз. Қажетті жарықтық деңгейін таңдау үшін, **X** және **Y** түймелерін басыңыз, одан кейін **Z** түймесін басып растаңыз.

! Жуу циклінің барысында немесе КЕШІКТІРІП БАСТАУ опциясы қосылған жағдайда, пайдаланушы дисплейді 1 минуттан астам уақыт қолданбаса, ЭКРАН ҚОРҒАУЫШЫ қосылады. Алдыңғы терезеге оралу үшін, кез келген түймені бассаңыз болғаны.

Жуу циклын немесе кептіру циклын іске қосу» тарауын қараңыз

KZ

- ҚҰРЫЛҒЫНЫ ҚОСЫҢЫЗ.**  түймесін басыңыз; дисплейде «HOTPOINT» мәтіні пайда болады және БАСТАУ/ТОҚТАТА ТҰРУ индикатор шамы жасыл түспен баяу жыпылықтайды.
- КІРЛЕРДІ САЛЫҢЫЗ.** Есікті ашыңыз. Келесі беттегі бағдарламалардың кестесінде көрсетілген ең көп жүк мәнінен асып кетпеуге назар аударып, кірлерді салыңыз.
- ЖУҒЫШ ЗАТТЫ ӨЛШЕҢІЗ.** Жуғыш зат тартпасын ашып, «Жуғыш заттар мен кірлер» тарауында айтылғанмен сәйкес жуғыш затты тиісті бөлікке салыңыз.
- ЕСІКТІ ЖАБЫҢЫЗ.**
- ЖУУ ЦИКЛЫН ТАҢДАҢЫЗ.** Қажетті жуу циклын таңдау үшін ЖУУ ЦИКЛЫН ТАҢДАУ тұтқасын қолданыңыз. Әрбір жуу циклы үшін температура мен сығу жылдамдығы орнатылған; оларды реттеуге болады. Дисплейде циклдың мерзімі көрсетіледі.

- ЖУУ ЦИКЛЫН ӨЗГЕРТІҢІЗ.** Тиісті түймелерді қолданыңыз:
Температура және/немесе сығу жылдамдығын өзгерту. Құрылғы таңдалған жуу циклы үшін орнатылған ең жоғары температура мен сығу жылдамдығын автоматты түрде таңдайды; сондықтан, бұл мәндерді арттыру мүмкін емес.  түймесін басу арқылы температураны суық сумен жуу циклының (дисплейде “--” таңбасы көрсетіледі) параметріне жеткенше төмендетуге болады.  түймесін басу арқылы сығу жылдамдығын толығымен өшірілгенше, біртіндеп төмендетуге болады (дисплейде “--” таңбасы көрсетіледі). Бұл түймелер тағыда басылса, ең жоғарғы мәндер қалпына келеді.

! Қиыс жағдай 5 бағдарламасы таңдалса, температураны 40°C-қа дейін көтеруге болады.


! Қиыс жағдай 7 бағдарламасы таңдалса, температураны 90°C-қа дейін көтеруге болады.

! Қиыс жағдай 9 бағдарламасы таңдалса, температураны 60°C-қа дейін көтеруге болады.

Кешіктіріп бастауды орнату.

Таңдалған бағдарлама үшін кешіктіріп бастауды орнату үшін, қажетті кешіктіру мерзіміне дейін жеткенше тиісті түймені қайта-қайта басыңыз. Кешіктіріп бастау функциясын алып тастау үшін дисплейде “-- h” мәтіні көрсетілгенше түймені басыңыз.

Кептіру циклын орнату

 түймесі алғаш рет басылған кезде құрылғы таңдалған жуу циклымен үйлесімді максималды кептіру циклын автоматты түрде таңдайды. Одан кейін басқан кезде кептіру деңгейі мен кептіру уақыты азайтылады, соңында цикл толығымен өшіріледі («OFF»). Кептіруді төмендегідей орнатуға болады:

A- кірлердің қажетті құрғақтық деңгейі негізінде:

Үтіктеу: кейін үтіктелетін киімдер үшін қолайлы.

Қалған ылғалдық қыртыстарды жұмсартып, оларды кетіруді жеңілдетеді.




Ілгекке ілінетіндей құрғақ: толығымен кептіруді қажет етпейтін киімдер үшін қолайлы.

Шкафқа қойылатындай құрғақ: үтіктемей шкафқа қоятын заттар үшін қолайлы.

Қосымша: губкалар мен халаттар сияқты толығымен кептірілуі тиіс киімдер үшін қолайлы.

B- орнатылған уақыт аралығы негізінде: **30–180** минут. Жуылып кептірілетін кірлердің салмағы белгіленген ең көп салмақтан едәуір көп болса, жуу циклын орындаңыз және цикл аяқталған кезде, киімдерді топтарға бөліп, кейбіреуін барабанға қайта салыңыз. Осы жерде, «Тек кептіру» циклы үшін берілген нұсқауларды орындаңыз. Қалған киімдер үшін осы үдерісті қайталаңыз. Әрбір кептіру циклының соңына әрқашан салқындау мерзімі қосылады.

Тек кептіру

Тек кептіру циклын орындау үшін  түймесін басыңыз. Қажетті циклды (киім түрімен үйлесімді) таңдағаннан кейін, жуу фазасын алып тастап, таңдалған цикл үшін кептіру фазасын ең жоғары деңгейде бастау үшін  түймесін басыңыз. Кептіру деңгейін не уақытын  кептіру түймесін басу арқылы

орнатуға және өзгертуге болады (1-2-3-4- және 14-циклдармен үйлесімді емес).

Шаю түрін орнату.

 опциясы сезімтал теріні қорғау үшін қажетті шаю түрін таңдауға мүмкіндік береді. “**Extra +1**” (Қосымша шаю) дәрежесін таңдау үшін түймені бір рет басыңыз, ол стандартты циклдың шаюына қоса қосымша шаюды таңдауға және жуғыш заттың барлық қалдықтарын жоюға мүмкіндік береді. “**Extra +2**” (Сезімтал тері) дәрежесін орнату үшін түймені тағы бір рет басыңыз, ол стандартты циклдың шаюына қоса қосымша екі шаюды таңдауға мүмкіндік береді; ол өте сезімтал теріге қолданылуға ұсынылады. Түйме үшінші рет басылған кезде, “**Extra +3**” деңгейі орнатылады, сөйтіп стандартты цикл шаюына қоса 3 шаю циклын таңдау мүмкін болады. 40 °C температурасындағы циклдар іске қосқан опция тозаң, мысық не ит қылдары сияқты негізгі аллергияларды кетіруге мүмкіндік береді. Температурасы 40 °C-тан асатын циклдар қолданылғанда, аллергия қарсы қорғаудың жоғары деңгейі қамтамасыз етіледі. “**Normal Rinse**” (Қалыпты) шаю түріне оралу үшін түймені тағы бір рет басыңыз. Ағымдағы параметрді орнату немесе өзгерту мүмкін болмаса, дисплейде “**No Selection**” (Таңдау мүмкін емес) немесе “**No Change**” (жоқ өзгерту) мәтіні көрсетіледі.




Цикл параметрлерін өзгерту.

- Функцияны қосу үшін түймені басыңыз; дисплейдегі тиісті индикатор шамы жанады.
- Функцияны өшіру үшін түймені тағы бір рет басыңыз; дисплейдегі тиісті индикатор шамы сөнеді.

! Таңдалған функция орнатылған бағдарламамен үйлесімді болмаса, тиісті индикатор шамы күңгірт болып жанады; оған қоса үйлесімді емес екенін білдіру үшін сигнал беріліп (3 рет), дисплейде «**No Selection**» (Таңдау мүмкін емес) жазуы көрсетіледі.

! Таңдалған функция бұрын орнатылған басқа функциямен үйлесімді болмаса, дисплейде «**No Selection**» (Таңдау мүмкін емес) жазуы көрсетіледі, ал функция қосылмайды.

! Функциялар ұсынылатын жүк мәніне және/немесе циклдың мерзіміне әсер етуі мүмкін.





- 7. БАҒДАРЛАМАНЫ БАСТАУ.** БАСТАУ/ТОҚТАТА ТҰРУ түймесін басыңыз. Тиісті индикатор шамы жасыл түспен қалыптты түрде жанып тұрады және есік құлыпталады (ЕСІК ҚҰЛЫПТАУЛЫ  таңбасы жанады). Жуу циклының барысында, орындалып жатқан кезең аты дисплейде көрсетіледі. Орындалып жатқан жуу циклын өзгерту үшін БАСТАУ/ТОҚТАТА ТҰРУ түймесінің көмегімен кір жуғыш машинаны тоқтатып қойыңыз (БАСТАУ/ТОҚТАТА ТҰРУ индикатор шамы қызғылт сары түспен баяу жыпылықтайды); одан кейін қажетті циклды таңдап, БАСТАУ/ТОҚТАТА ТҰРУ түймесін тағы бір рет басыңыз. Цикл орындалып жатқан кезде есікті ашу үшін БАСТАУ/ТОҚТАТА ТҰРУ түймесін басыңыз; ЕСІК ҚҰЛЫПТАУЛЫ  таңбасы өшсе, есікті ашуға болады. Жуу циклын тоқтатылған жерінен қайта бастау үшін БАСТАУ/ТОҚТАТА ТҰРУ түймесін тағы бір рет басыңыз.
- 8. ЖУУ ЦИКЛЫНЫҢ СОҢЫ.** Мұны дисплейдегі «END OF CYCLE» мәтіні білдіреді; ЕСІК ҚҰЛЫПТАУЛЫ  таңбасы өшкенде есікті ашуға болады. Есікті ашып, кірлерді алыңыз да, құрылғыны өшіріңіз.

! Басталып қойған циклды доғару қажет болса,  түймесін басып ұстап тұрыңыз. Цикл тоқтатылады және құрылғы өшеді.

Direct Injection

Кір жуғыш машина «Direct Injection» деп аталатын инновациялық технологиямен жабдықталған. Ол су мен жуғыш затты алдын ала араластыру арқасында жуғыш заттың тазалау мүмкіндіктерін дереу іске қосады. Осы белсенді эмульсия кір жуғыш машинаның барабанына тікелей енгізіліп, бұйымдардың талшықтарына тиімдірек еніп, түстер мен маталарға зақым келтірмей, тіпті төмен температураларда қатты кірленген киімдерді тазалайды. “Power” (Эффективность) режимі ең жақсы тазалау өнімділігін қамтамасыз етеді, ал “EcoEnergy” (Экономия Энергии) режимі қуат үнемдеуге мүмкіндік береді.

Жуу циклдарының кестесі

Жуу циклдары	Жуу циклының сипаттамасы	Ең жоғ. темп. (°C)	Ең жоғ. жылдамдық (айн/мин)	Кептіру	Жуғыш заттар		Ең жоғ. жүк (кг)	Цикл мерзімі	
					Негізгі жуу	Мата кондиционері			
ANTI CREASE									
1	Күнделікті жуу және кептіру	40°	800	●	●	●	3	Жуу циклдарының мерзімін дисплейде көруге болады.	
2	Көйлектер мен футболкалар	40°	1000	●	●	●	2		
3	Үтіктеу алдындағы бағдарлама	-	-	-	-	-	1,5		
4	Освежить Паром	-	-	-	-	-	2		
DAILY CLEAN									
5	Дақтарды кетіру Turbo 45'	20° (Max. 40°C)	1200	●	●	●	4		
6	Дақтарды кетіру Power 20°C	40°	1400	●	●	●	9		
7	Мақта: қатты ластанған ақ заттар мен нәзік түрлі түсті кірлер.	40° (Max. 90°C)	1400	●	●	●	9		
8	Есо Мақта  (1-2): қатты ластанған ақ заттар мен төзімді түрлі түсті кірлер.	60°	1400	●	●	●	9		
9	Синтетика (3): қатты ластанған төзімді түрлі түсті кірлер.	40° (Max. 60°C)	1000	●	●	●	4,5		
SPECIALS									
10	Цветное	40°	1400	●	●	●	9		
11	Нәзік киімдер	30°	--	●	●	●	1		
12	Жүн: жүн, кашемир және т.б. үшін.	40°	800	●	●	●	2		
13	Спорт	40°	600	●	●	●	4		
14	Микс 30' (**): қатты кірлемеген киімді тез сергіту үшін (жүн, жібек маталарға және қолмен жууға арналмаған).	30°	800	●	●	●	3,5		
Толық емес циклдар									
	Шаю	-	1400	●	-	●	9		
	Сығу + Ағызу	-	1400	●	-	-	9		
	Тек ағызу *	-	--	-	-	-	9		

*  бағдарламасын таңдап, сығу циклын алып тастасаңыз, құрылғы сықпай, тек суды ағызады.

** Кептіру циклі де бағдарламаланатын болса, құрылғы ең жоғары айналу жылдамдығы және 1 кг кір жүктемесімен 45' орындалатын «жуу+кептіру» бағдарламасын қосады.

Дисплейде немесе осы кітапшада көрсетілген циклдың мерзімі тек шамамен берілген және ол стандартты жұмыс жағдайларына сәйкес есептеледі. Нақты мерзім су температурасы мен қысымы, қолданылған жуғыш зат мөлшері, салынған кірлердің мөлшері мен түрі, жүктің теңестірілуі және таңдалған кез келген опциялар сияқты ықпалдарға байланысты болады.


- 1) Жуу циклын EN 50229 стандартына сәйкес тексеріңіз: 8 жуу циклын 60°C температурасымен таңдаңыз.
- 2) M/m бұйымдарына арналған ұзақ программа: 8-бағдарламаны 40°C орнатып, "Power" (Эффективность) режимінде DIRECT INJECTION түймесін басыңыз.
- 3) Синтетикалық ұзақ бағдарлама: 40° C температурада бағдарлама 9 орнату.

Жуу функциялары

! Таңдалған функция орнатылған бағдарламамен үйлесімді болмаса, тиісті индикатор шамы күңгірт болып жанады; оған қоса үйлесімді емес екенін білдіру үшін сигнал беріліп (3 рет), дисплейде «No Selection» (Таңдау мүмкін емес) жазуы көрсетіледі.

! Таңдалған функция бұрын орнатылған басқа функциямен үйлесімді болмаса, дисплейде «No Selection» (Таңдау мүмкін емес) жазуы көрсетіледі, ал функция қосылмайды.

Бу гигиенасы

Бұл опция жуу циклі барысында жуылатын талшықтарды өңдеп, олардан бактерияларды жоятын бу өндіру арқылы жуу өнімділігін арттырады. Кірді барабанға салып, үйлесімді иісті бағдарламаны таңдап, одан кейін  опциясын таңдаңыз.

! Кір жуғыш машина жұмыс істегенде өндірілетін будан есік шынысы булануы мүмкін.

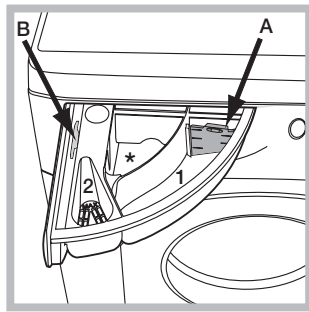
Жуғыш заттар мен кірлер

KZ

Жуғыш зат тартпасы

Ойдағыдай жуу нәтижесіне қол жеткізу жуғыш заттың дұрыс мөлшеріне де байланысты болады: тым көп жуғыш зат қосылса, жуу міндетті түрде тиімдірек болмайды және шынында құрылғы ішінде қалдықтардың түзілуіне және қоршаған ортаны ластауға әкелуі мүмкін.

! Қолмен жууға арналған жуғыш заттарды қолданбаңыз; олар тым көп көбік түзеді.



Жуғыш зат тартпасын ашып, жуғыш затты немесе жуғыш қосындыны төмендегідей салыңыз.

! Ортаңғы бөлікке жуғыш зат салмаңыз (*).

1-бөлік: Жуғыш зат (ұнтақ немесе сұйық)
Сұйық жуғыш зат

пайдаланылса, дұрыс мөлшерлеу үшін ауыстырмалы пластикалық **A** өлшеу бөлігін қолданған жөн. Ұнтақ жуғыш зат пайдаланылса, бөлікті **B** ұясына қойыңыз.

2-бөлік: Қосындылар (кондиционерлер және т.б.)
Кондиционер белгіден асып кетпеуі керек.

Кірлерді дайындау

- Кірлерді мына жағдайларға байланысты бөліңіз:
 - мата түрі/жапсырмадағы таңба
 - түстер: түрлі-түсті киімдерді ақ киімдерден бөліңіз.
- Қалталарды босатып, түймелерді тексеріңіз.
- «Жуу циклдарының кестесі» атты кестедегі мәндерден асырып жібермеңіз, онда кірлердің құрғақ кездегі салмағы берілген.

Кірлердің салмағы қандай?

- 1 ақжайма 400-500 г
- 1 жастыққап 150-200 г
- 1 асжаулық 400-500 г
- 1 монша халаты 900-1200 г
- 1 орамал 150-250 г

Арнайы жуу циклдары

Күнделікті жуу және кептіру: аралас киімдерді (мақта мен синтетика) жуу және кептіру үшін 1-бағдарламаны қолданыңыз. Бұл циклді 3 кг дейінгі жүктемелерді жуу және кептіру үшін қолдануға болады; *сұйық жуғыш зат қолдануды ұсынамыз.*

Осы бағдарламада қолданылатын бу оңтайландырып, киімдерде қыртыстардың пайда болуын азайтып, олардың үтіктелуін жеңілдетеді.

Көйлектер мен футболкалар: ең жоғары күтімді қамтамасыз ету үшін, әр түрлі маталардан жасалған және түстері әр түрлі көйлектер мен футболкаларды жуу және кептіру үшін 2-бағдарламаны қолданыңыз. Бұл циклді 2 кг дейінгі жүктемелерді жуу және кептіру үшін қолдануға болады. Оңтайлы нәтижелерге қол жеткізу үшін сұйық жуғыш затты қолданыңыз, сондай-ақ, жеңдерді, жағаларды және дақтарды алдын ала өңдеңіз. Осы бағдарламада қолданылатын бу оңтайландырып, киімдерде қыртыстардың пайда болуын азайтып, олардың үтіктелуін жеңілдетеді.

Үтіктеу алдындағы бағдарлама: осы бағдарламаны үтіктемес бұрын қолданыңыз; ең көбі 1,5 кг жүктеме. Осы бағдарламада қолданылатын бу оңтайландырып, киімдерде қыртыстардың пайда болуын азайтып, олардың үтіктелуін жеңілдетеді.

Освежнтъ Паром: Барабанға бу айдау арқылы киімдерді, бейтарап жағымсыз иістерді жаңарту немесе талшықтарды босаңсыту. Бұл циклдің соңында киімдер ылғал болады.

Дақтарды кетіру Turbo 45°: бұл цикл тіпті 20°C 45 минуттың ішінде-ақ дақтардың керемет кетірілуін қамтамасыз етеді. Бұл циклдің температурасын 40°C дейін көтеруге болады.

Дақтарды кетіру Power 20°C: бұл бағдарлама алдын ала өңдемей-ақ төмен температураларда маталар мен түстерге зақым келтірмей дақтарды кетіру үшін ең тиімді бағдарлама.

Цветное: түсті мақта киімдерді жууға арналған. Бұл бағдарлама тіпті қайталап жуудан кейін де киім түстерін сақтап қалуды оңтайландырады.

Нәзік киімдер: Асыл тас немесе жарқылдақтар тігілген өте нәзік киімдерді жуу үшін **11** бағдарламасын қолданыңыз.

Жуудан бұрын киімдердің ішін сыртқа қарату және кіші заттарды арнайы нәзік киімдерді жууға арналған сөмкеге салу жөн. Ең жақсы нәтижеге қол жеткізу үшін сұйық жуғыш затты пайдаланыңыз.

Тек уақытқа негізделген кептіру функциясын таңдаған кезде абайлап өңдеу мен су ағынының температурасын тиісті түрде басқару арқасында аса нәзік болатын жуу циклының соңында кептіру циклы орындалады.

Ұсынылған мерзімдер мынадай:

- 1 кг синтетикалық киімдер --> 165 мин
- 1 кг синтетикалық және мақта киімдер --> 180 мин
- 1 кг мақта киімдер --> 180 мин

Құрғақтық деңгейі жүктеме мен мата құрамына байланысты болады.

Жүн - Woolmark Apparel Care - Green:

Осы құрылғының «Жүн» жуу циклы киім жапсырмасындағы нұсқауларды және осы кір жуғыш машина өндірушісінің нұсқауларын орындау шартымен, The Woolmark Company тарапынан «қолмен жуу» деп белгіленген жүн киімдерін жууға расталған.



Спорт: Бұл бағдарлама шамалы қатты спорт киімдерін (спорт күртешелері, кеудешелер, т.б.) жууға арналған. Үздік нәтижелер үшін «Жуу циклдарының кестесі» ішінде көрсетілген максималды жүктемеден аспайды. Сұйық тазалау құралы ұсынылады; жартылай жүктеме дозасын пайдаланыңыз.

Жүкті теңестіру жүйесі

Әрбір сығу циклынан бұрын, әрбір сығудан бұрын шамадан тыс дірілдеудің алдын алу және жүкті біркелкі түрде тарату үшін, барабан жуу кезіндегі айналуды жылдамдығын сәл көбірек жылдамдықпен айналып тұрады. Егер бірнеше әрекеттен кейін жүк дұрыс теңестірілмесе, құрылғы төмендетілген сығу жылдамдығында айналдырады. Егер жүк тым теңестірілмеген болса, құрылғы сығу орнына тарату үдерісін орындайды. Жүктің таралуы мен теңестірілуін жақсарту үшін кіші және үлкен киімдерді аралас салуды ұсынамыз.

Кір жуғыш машина жұмыс істемей қалуы мүмкін. Техникалық көмек көрсету орталығына хабарласпас бұрын («Көмек» тарауын қараңыз), төмендегі тізімді қолдана отырып ақаулықты оңай шешу мүмкін емес екендігіне көз жеткізіңіз.

Ақаулық:

Кір жуғыш машина қосылмайды.

Ықтимал себептері / шешімдері:

- Құрылғы розеткаға толығымен қосылмаған немесе түйіспейді.
- Үйде ток жоқ.

Жуу циклы басталмайды.

- Кір жуғыш машина есігі дұрыс жабылмаған.
- ҚОСУ/ӨШІРУ түймесі басылмаған.
- БАСТАУ/ТОҚТАТА ТҰРУ түймесі басылмаған.
- Су шүмегі ашылмаған.
- Кешіктіріп бастау орнатылған.

Кір жуғыш машина суды алмайды (дисплейде «NO WATER, Turn tap on» (СУ ЖОҚ, СУ ЖЕТКІЗУ ТҮТІГІН ТЕКСЕРІҢІЗ) мәтіні көрсетіледі).

- Судың кіріс түтігі шүмекке қосылмаған.
- Түтік майыстырылған.
- Су шүмегі ашылмаған.
- Үйде су жоқ.
- Қысым тым төмен.
- БАСТАУ/ТОҚТАТА ТҰРУ түймесі басылмаған.

Кір жуғыш машина сумен толып, оны ағызып тұра береді.

- Ағызу түтігі еденнен 65-100 см биіктікте орналастырылмаған («Орнату» тарауын қараңыз).
- Түтіктің бос шеті су астында («Орнату» тарауын қараңыз).
- Қабырғадағы канализация жүйесі сапун құбырымен жабдықталмаған. Осы тексерулерден кейін де проблема шешілмесе, су шүмегін жауып, құрылғыны өшіріңіз де, Көмек беру қызметіне хабарласыңыз. Егер ғимараттың жоғарғы қабаттарының бірінде тұратын болсаңыз, суды ағызуға байланысты проблемалар болуы мүмкін, оның нәтижесінде кір жуғыш машина сумен толып, оны ағызып тұра беруі мүмкін. Дүкендерде арнайы ағызуға қарсы клапандар бар, олар бұл проблеманы шешуге көмектеседі.

Кір жуғыш машина суды ағызбайды не сықпайды.

- Жуу циклында ағызу жоқ. Кейбір жуу циклдары ағызу кезеңінің қолмен басталуын қажет етеді («Жуу циклдары мен опциялары» тарауын қараңыз).
- Ағызу түтігі майысқан («Орнату» тарауын қараңыз).
- Ағызу түтігі бітелген.

Кір жуғыш машина сығу циклы барысында көп дірілдейді.

- Орнату кезінде барабанның бұғаты дұрыс алынбаған («Орнату» тарауын қараңыз).
- Кір жуғыш машина тұзу емес («Орнату» тарауын қараңыз).
- Кір жуғыш машина шкафтар мен қабырғалар арасына қойылған («Орнату» тарауын қараңыз).

Кір жуғыш машинадан су ағады.

- Судың кіріс түтігі дұрыс бұралып мықталмаған («Орнату» тарауын қараңыз).
- Жуғыш зат тартпасы бітелген (оны тазалау туралы нұсқауларды «Күтім көрсету және техникалық қызмет көрсету» тарауынан қараңыз).
- Ағызу түтігі дұрыс бекітілмеген («Орнату» тарауын қараңыз).

Кір жуғыш машина құлыпталады және дисплей жыпылықтап, қате кодын көрсетеді (мысалы, F-01, F-..).

- Құрылғыны өшіріп, оны токтан ағытыңыз, одан кейін шамамен 1 минут күтіңіз де, оны қайтадан қосыңыз. Проблема шешілмесе, Техникалық көмек көрсету қызметіне хабарласыңыз.

Тым көп көбік болады.

- Жуғыш зат кір жуғыш машинаға қолайлы емес (онда «кір жуғыш машиналарға арналған», «қолмен жууға және кір жуғыш машинаға арналған» немесе осыған ұқсас жазу болуы керек).
- Тым көп жуғыш зат қолданылған.

Кір жуғыш-кептіргіш машина кептірмейді.

- Құрылғы розеткаға қосылмаған немесе түйісу үшін жеткілікті емес.
- Ток өшкен.
- Құрылғы есігі дұрыс жабылмаған.
- Кешіктіріп бастау орнатылған.
- КЕПТІРУ түймесі OFF параметріне қойылған.

Қызмет көрсету

KZ

Техникалық қолдау орталығына хабарласпас бұрын:

- Ақаулықты өзіңіз шеше алатыныңызды тексеріңіз («Ақаулықтарды жою» тарауын қараңыз);
- Ақаулық шешілгенін тексеру үшін бағдарламаны қайтадан бастаңыз;
- Олай болмаса, кепілдік куәлігінде берілген телефон нөмірі бойынша өкілетті Техникалық көмек беру орталығына хабарласыңыз.

! Тек уәкілетті мамандардан көмек сұраңыз.

Келесі мәліметтерді оңай жерде ұстаңыз:

- ақаулықтың түрі;
- құрылғының моделі (Мод.);
- сериялық нөмірі (С/Н).

Бұл ақпаратты кір жуғыш машинаның артқы жағына бекітілген және есікті ашу арқылы құрылғының алдынан көруге болатын техникалық деректер тақтасынан табуға болады.



Հայերեն

! Այս պայմանանշանը հիշեցնում է տվյալ տեխնիկական ուղեցույցին ծանոթանալու անհրաժեշտությունը:

Բովանդակություն

Տեղադրում, 50-51
Փաթեթավորման հեռացում և Միացումը ջրատարին և էլեկտրական ցանցին
Լվացման առաջին փուլ՝ Տեխնիկական տվյալներ

Տեխնիկական սպասարկում և խնամք, 52
Ջրի և էլեկտրականության անջատում
Լվացքի մեքենայի խնամքը
Լվացող նյութերի բաշխիչ տարրայի խնամքը
Մեքենայի դռնակի և թմբուկի խնամքը
Մոդիլի խնամքը
Ջրամատակարար խողովակի ստուգում

Զգուշացումներ և առաջարկություններ, 53
Անվտանգության ընդհանուր դրույթներ
Խոտանում
Տեղափոխման և պահպանման
Դռնակի վթարային բացում

Լվացքի մեքենայի նկարագիրը, 54-55
Կառավարման վահանակ
Էկրան

Ինչպես աշխատեցնել լվացման ցիկլը կամ չորացման ցիկլը, 56

Ծրագրեր և գործառույթներ, 57
Ծրագրերի աղյուսակ
Լվացման Գործառույթներ

Լվացող նյութեր և սպիտակեղենի տեսակներ, 58
Լվացող նյութերի բաշխիչ
Սպիտակեղենի նախապատրաստում
Հատուկ ծրագրեր
Սպիտակեղենի հավասարակշռեցման համակարգ

Անսարքություններ և դրանց վերացման մեթոդներ, 59

Սերվիսային սպասարկում, 60

RDPD 96407 J

Էներգոարդյունավետության դասերի համապատասխանեցում	
Ապրանքի վրա նշված Էներգոարդյունավետության մասին տեղեկատվություն	Ռուսաստանի օրենսդրությանը համապատասխան Էներգոարդյունավետության դաս
A	A
A+	A-10% (*)
A++	A-20% (*)
A+++	A-30% (*)
A+++ -10%	A-40% (*)
A+++ -20%	A-50% (*)

(*) տվյալ քանակության տոկոսներով Էներգոարդյունավետության ցուցանիշները ավելի լավ են, քան Ռուսաստանի Դաշնության նորմատիվ փաստաթղթերով սահմանված A դասինը



Տեղադրում

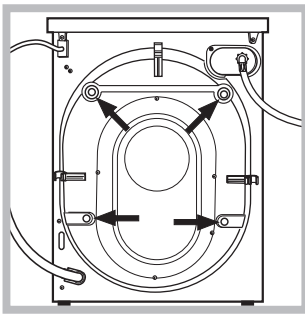
AM

! Պահպանեք տվյալ ձեռնարկը. Այն անհրաժեշտ է մեքենայի վաճառքի, փոխանակման, կամ այլ դեպքերում սարքի շահագործման և գործառնության պայմաններին ծանոթանալու համար:

! Ուշադիր կարդացեք ձեռնարկը՝ այն պարունակում է լվացքի մեքենայի տեղադրման և անվտանգ շահագործման կարևոր տեղեկություններ:

Փաթեթավորման հեռացում և հավասարակշռեցում Փաթեթի հեռացում

1. Հեռացրեք լվացքի մեքենայի փաթեթավորումը.
2. Համոզվեք, որ տեղափոխման ընթացքում սարքը չի փասավել: Վնասվածքների դեպքում մի միացրեք սարքը և անմիջապես կապվեք մատակարարի հետ:



3. Հեռացրեք մեքենայի ետնամասում գտնվող թվով 4 տեղափոխման պտուտակները և ռետինե խցանները իրենց միջադիրներով (տես նկ.)
4. Փակեք անցքերը ուղեկցող պլաստիկ խցաններով:

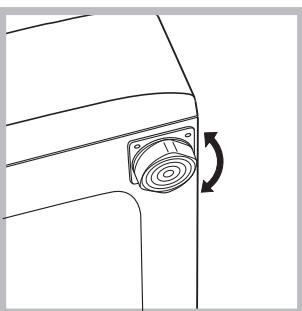
5. Պահեք բոլոր բաղադրիչները, նրանք պետք կգան լվացքի մեքենայի հետագա տեղափոխման ժամանակ:

!Թույլ մի տվեք երեխաներին խաղալ փաթեթավորման հետ:

! Փաթեթավորումը և նրա առանձին մասնիկները նախատեսված չեն սննդի հետ շփվելու համար:

Հավասարակշռեցում

1. Տեղադրեք մեքենան հարթ և ամուր հատակին այնպես, որ այն չդիպչի պատերին, կահույքին և այլ առարկաներին:



2. Տեղադրումից հետո հարմարեցրեք մեքենայի ոտնակները պտտելու միջոցով (տես նկ.) Դրա համար թուլացրեք հակամանեկը, իսկ կարգաբերումից հետո նորից ամրացրեք:

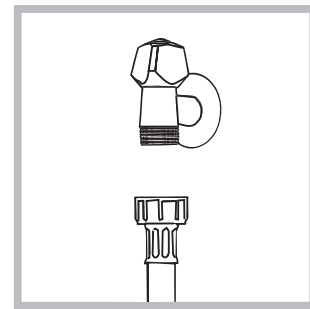
Մեքենայի տեղադրումից հետո ստուգեք նրա իրանի վերին մակերեսի հորիզոնականությունը, այն չպետք է զերազանցի 2°-ը:

Սարքի ճիշտ հավասարակշռեցումը կօգնի հետագայում մեքենայի աշխատանքի ընթացքում զերծ մնալ աղմուկից, վիբրացիայից և տեղաշարժերից:

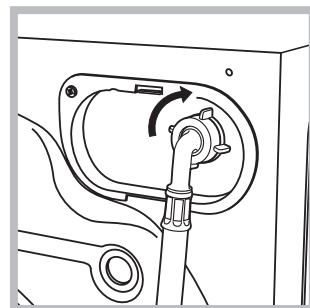
Եթե լվացքի մեքենան տեղակայված է խալով պատված հատակին համոզվեք, որ նրա իրանը բարձր է խալու ծածկույթից: Հակառակ դեպքում մեքենայի օդափոխությունը կխանգարվի կամ կընդհատվի:

Միացումը ջրատարին և էլեկտրական ցանցին

Ջրամուտքի խողովակի միացումը



1. Միացնել մատակարարման գուլպաներ հրավիրում է նրան, որ սատը ջրի թակել հետ 3/4 գազի խնդրում բերանը: (տես նկ.): Միացնելուց առաջ բացեք ծորակը և թույլ տվեք աղտոտված ջուրը հոսի:



2. Միացրեք ջրամուտքի խողովակը լվացքի մեքենային, ձգելով այն մեքենայի ետևի վերին աջ մասում գտնվող ջրընդունիչի վրա (տես նկ.):

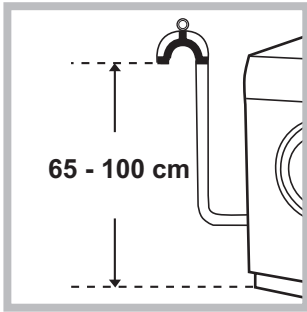
1. Համոզվեք, որ խողովակը ոլորված և սեղմված չէ:

! Անհրաժեշտ է, որ ջրի ճնշումը լինի Տեխնիկական բնութագրերի աղյուսակում բերված արժեքների սահմաններում (տես էջ 51):

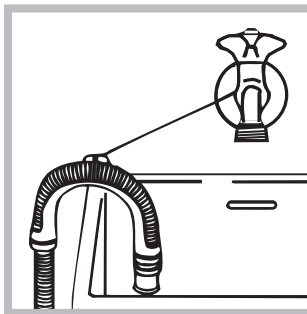
! Եթե ջրամուտքի խողովակի երկարությունը չբավարարի դիմեք Արտոնագրով սպասարկման կենտրոն:

! Երբեք մի օգտագործեք օգտագործված կամ հնամաշ խողովակներ:

Ջրահեռացման խողովակի միացումը



Միացրեք ջրահեռացման խողովակը ջրահեռացման համակարգին գետնից 65-100 սմ բարձրության վրա: Որպես այլընտրանք կախեք ջրահեռացման խողովակի ծայրը լվացարանի, լոգարանի կողքից և ուղղորդի միջոցով (մտնում է մատակարարման կոմպլեկտի մեջ), որը ամրացվում է ծորակին (տես նկ): Խողովակի ազատ ծայրը չպետք է գտնվի ջրի մեջ:



! Խորհուրդ չի տրվում ջրահեռացման խողովակի երկարացուցչի կիրառումը:

Անհրաժեշտության դեպքում թույլատրվում է դրա ավելացումը նույն տրամագծի խողովակով ոչ ավել, քան 150 սմ երկարության:

Էլեկտրականության միացումը Նախքան խրոցը միացնելը ցանցային վարդակին անհրաժեշտ է ստուգել հետևյալը

- ցանցային վարդակը պետք է լինի հողանցված և համապատասխանի չափորոշիչներին
- ցանցային վարդակը պետք է հաշվարկված լինի լվացքի մեքենայի առավելագույն հզորության համար, որը բերված է Տեխնիկական տվյալներ աղյուսակում (տես կողքի աղյուսակը):
- էլեկտրասնուցման լարումը պետք է համապատասխանի Տեխնիկական տվյալներ աղյուսակում բերված տվյալներին (տես կողքի աղյուսակը):
- ցանցային վարդակը պետք է համադրելի լինի մեքենայի խրոցին: Հակառակ դեպքում անհրաժեշտ է փոխարինել վարդակը կամ խրոց: **!** Արգելվում է լվացքի մեքենայի տեղադրումը փակ տարածքից դուրս անզամ ծածկի տակ, քանի որ արտակարգ վտանգավոր է մեքենան անձրևի և ամպրոպի ազդեցությանը ենթարկելը:
- !** Լվացքի մեքենան պետք է այնպես տեղադրվի, որպեսզի ապահովվի վարդակի ազատ մատչելիությունը:
- !** Մի օգտագործեք եռաբաշխիչ և երկարացման լարերով վարդակներ:
- !** Մարքի ցանցային լարը չպետք է լինի ծավալված կամ սեղմված:
- Մալուխի փոխարինումը պետք է իրականացվի միայն որակավորում ունեցող մասնագետի կողմից:
- Տոողջությանը և սեփականությանը պատճառված վնասներին համար արտադրողը պատասխանատվություն չի կրում, եթե դրանք առաջացել են տեղակայման նշվածված նորմերի չպահպանման արդյունքում:

Լվացման առաջին փուլ՝

Տեղադրման ավարտից հետո շահագործումից առաջ անհրաժեշտ է իրականացնել լվացքի մեկ փուլ լվացքի փոշիով, բայց առանց սպիտակեղենի «ԻՆՔՆԱՍՏԱՔՐՈՒՄ» ծրագրով (տես. «Լվացքի մեքենայի խնամքը»):

Տեխնիկական տվյալներ	
Մակնիշ	RDPD 96407 J
Արտադրող երկիր	Իտալիա
Գաբարիտային չափեր	լայնք՝ 59,5 սմ բարձրություն՝ 85 սմ խորություն՝ 54 սմ
Տարողունակություն	1-ից մինչև 9 կգ՝ լվացման փուլի համար 1-ից մինչև 6 կգ՝ չորացման փուլի համար
Լարման անվանական արժեքը կամ լարման միջակայքը	220-240 V ~
Առավելագույն հզորություն	1850 W
Էլեկտրական հոսանքի տեսակի պայմանական նշանակումը կամ փոփոխական հոսանքի անվանական հաճախականությունը	50 Hz
Էլեկտրական հոսանքի խոցելիությունից պաշտպանության դասը	պաշտպանության դասը I
Ջրատարի միացումը	առավելագույն ճնշումը 1ՄՊա (10 բար) նվազագույն ճնշումը 0,05 ՄՊա (0,5 բար) թմբուկի տարողություն 58 լիտր
Քամելու արագությունը	միջև 1400 պտույտ րոպեկում
Կառավարման ծրագրերը EN 50229 հրահանգի համապատասխան	ծրագիր՝ 8 ; ջերմաստիճան՝ 60°C ; բեռնում՝ 9 կգ սպիտակեղեն չորացում՝ բարձր բեռնվածությամբ (6կգ) չորացումը պետք է իրականացվի չորացման «Extra» մակարդակի ընտրությամբ: Մնացած սպիտակեղենի չորացումը պետք է իրականացվի «Extra»: Տեժիմով բեռնված սպիտակեղենի կազմը 3 սավան, 2 բարձի երես և 1 սրբիչ:
	Տվյալ ապրանքատեսակը համապատասխանում է Եվրոպական Հանրության հետևյալ հրահանգներին՝ - 2004/108/CE (էլեկտրամագնիսական համատեղելիություն); - 2006/95/CE (Ցածր լարում); - 2012/19/EU (WEEE)
Պինդ մասնիկների և խոնավության թափանցումից պաշտպանության աստիճանը, որն ապահովվում է պաշտպանիչ ծածկույթով, բացառությամբ խոնավությունից պաշտպանություն չունեցող ցածր լարման սարքավորումների՝ IPX4	
Տվյալ տխնիկայի արտադրման ամսաթիվը կարելի է ստանալ սերիական համարից, որը գտնվում է շարիխ-ծածկված տակ (S/N XXXXXXXXX), հետևյալ կերպ	- S/N ծածկվածի 1-ին թվը համապատասխանում է տարեթվի վերջին նիշին; - S/N ծածկվածի 2-րդ և 3-րդ թվերը՝ ամսվա հերթական համարին; - S/N ծածկվածի 4-րդ և 5-րդ թվերը՝ օրվան
Էներգային պարզության դաս	A


Տեխնիկական սպասարկում և խնամք

AM

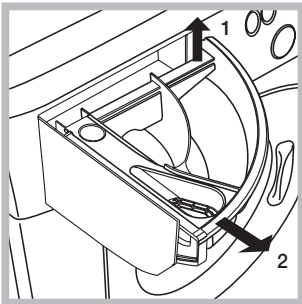
Ջրի և էլեկտրականության անջատում

- Փակեք ջրամատակարարման ծորակը յուրաքանչյուր լվացքից հետո: Այդպիսով կպակասի է մեքենայի ջրատար համակարգի մաշվածությունը և վերացվում է ջրի արտահոսքի հնարավորությունը:
- Պարտադիր հանեք խրոցը վարդակից լվացքի մեքենան լվանալուց և տեխնիկական սպասարկումից առաջ:

Լվացքի մեքենայի խնամքը

- Մեքենայի արտաքին և նետինն մասերը մաքրեք տաք օձառաջրով թրջած փափուկ կտորով: Մի օգտագործեք լուծիչներ կամ հղկիչ մաքրող նյութեր:
- Լվացքի մեքենան իր մեջ ներառում է ներքին դետալների «ԻՆՔՆԱՄԱՔՐՈՒՄ», որը պետք է իրականացնել առանց որևէ սպիտակեղենի Լվացքի ընթացքում որպես օգնող միջոց կարելի է օգտագործել լվացքող նրութեր (կեղտոտ լվացքին համապատասխան քանակի 10% չափով), կամ լվացքի մեքենայի մաքրման համար նախատեսված հատուկ նյութեր: Խորհուրդ է տրվում մեքենայի մաքրումը իրականացնել ամեն 40 փուլը մեկ: Օրագրի մեկնարկի համար միաժամանակ սեղմեք  կոճակները և սեղմած պահեք 5 վարկյան (տես նկ.)
- Օրագիրը կմեկնարկի և կտևի մոտ 70 րոպե: Փուլի դադարեցման համար սեղմեք ՄԵՎՆԱՐԿ/ԴԱԴԱՐ կոճակները:

Լվացող նյութերի բաշխիչ տարրայի խնամքը



Հրարձրացնելով և դուրս քաշելով հանեք բաշխիչ տարրան (տես գծագիրը): Լվացեք այն տաք ջրով: Այս գործընթացը պետք է կատարվի պարբերաբար:

Մեքենայի դռնակի և թմբուկի խնամքը

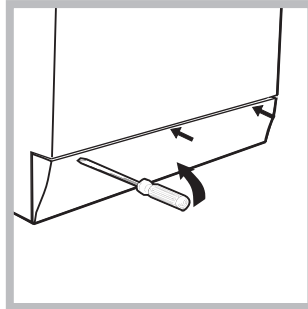
- Յուրաքանչյուր լվածքից հետո մեքենայի դռնակը թողեք կիսաբաց թմբուկում տհաճ հոտերի և բորբոսի առաջացումից խուսափելու համար:

Մղիչի խնամքը

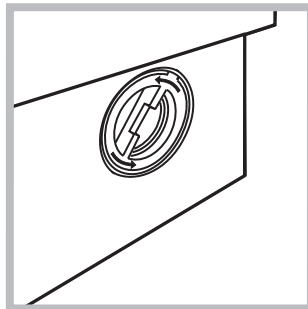
Լվացքի մեքենան զինված է ինքնամաքրվող ջրահեռացման մղիչով, որը չի պահանջում մաքրում կամ յուրահատուկ սպասարկում: Այնուամենայնիվ մանր իրերը (մետաղադրամներ, կոճակներ) կարող են պատահաբար ընկնել մղիչը պաշտպանող պատյանի մեջ, որը գտնվում է դրա ներքևի մասում:

! Հանդգվեք, որ լվացման փուլը ավարտված է, և անջատեք սարքը էլեկտրական ցանցից:

Պատյանին հասնելու համար



1. հանեք լվացքի մեքենայի առջևի վահանակը պտուտակի միջոցով(տես գծագիրը),



2. պտտեք պականը, թեքելով այն ժամալարին հակառակ ուղղությամբ (տես գծագիրը), քիչ քանակի ջրի հոսքը նորմալ երևույթ է,

3. մարակրկիտ մաքրեք պատյանի ներսը,
4. փականը ձգեք տեղը,
5. առջևի վահանակը տեղադրեք իր տեղը, մեքենային ամրացնելուց առաջ ստուգեք, որ կեռիկները մտնեն համապատասխան անցքի մեջ:

Ջրամատակարար խողովակի ստուգում

Ստուգեք խողովակը ոչ պակաս քան տարին մեկ անգամ: Ճաքերի և պատուվածքների հայտնաբերման ժամանակ փոխեք այն. լվացքի ժամանակ ջրի ուժեղ ճնշումը կարող է բերել դրա անսպասելի պոկման:

! Երբեք մի օգտագործեք հնամաշ խողովակներ:

! Լվացքի մեքենան նախագծված և արտադրված է անվտանգության միջազգային նորմերին համապատասխան: Ուշադիր կարդացեք այս զգուշացումները, որոնք կազմված են ձեր անվտանգության նկատառումներից ելնելով:

Անվտանգության ընդհանուր դրույթներ

- Տվյալ սարքավորումը նախատեսված է բացառապես տան պայմաններում օգտագործման համար:
- Այս սարքավորումը կարող էն օգտագործել 8 տարեկանից բարձր երեխաները և նվազ ֆիզիկական, զգայարանական կամ մտավոր կարողություններով օժտված կամ գիտելիքների կամ փորձի բացակայության տեղ մարդիկ, եթե նրանք գտնվում են հսկողության տակ կամ տեղեկացված են սարքի անվտանգ օգտագործման մասին և գիտակցում են դրա հետ կապված վտանգները: Մի թույլ տվեք երեխաներին խաղալ սարքավորման հետ: Երեխաներին արգելվում է մաքրել կամ վերանորոգել սարքավորումը՝ առանց հսկողության տակ լինելու:
- Մի չորացրեք կեղտոտ իրեր մեքենայի մեջ:
 - Ձեռքով, ացետոնով, ալկոհոլով, բենզինով, կերոսինով, կեղտաբծեր հեռացնող միջոցներով, բենզինով, մոմով, մոմը հեռացնող միջոցներով և նմանատիպ այլ նյութերով աղտոտված իրերը մինչև մեքենայի մեջ չորացնելը պետք է լվանալ տաք ջրի մեջ՝ մեծ քանակության լվացքի օգտագործմամբ:
 - Մեքենայում չի կարելի չորացնել ռետինե փրփուրից (լատեքսից) պատրաստված իրեր, լոգանքի գլխարկներ, անջրանցիկ գործվածքներ, իրեր, որոնց մի կողմը պատված է ռետինով, և լատեքս պարունակող հագուստ կամ բարձեր:
 - Գործվածքը փափկեցնող միջոցները կամ նմանատիպ արտադրանքները հարկավոր է օգտագործել հետևելով տվյալ միջոցի արտադրողի հրահանգներին:
 - Չորացման ցիկի ավարտական մասն իրականացվում է առանց տաքացման (սառեցնող ցիկ) իրերը չփասելու նկատառումներով:
- ՈՒՇԱՐԴՈՒԹՅՈՒՆ՝ Երբեք մի կանգնեցրեք մեքենան մինչև չորացման ցիկի ավարտը: Հակառակ դեպքում անմիջապես հանեք իրերը մեքենայից և փոքր արագ սառեցնելու համար:
- Մի դիպչեք մեքենային ոտաբոբիկ, կամ եթե ձեր ձեռքերը կամ ոտքերը խոնավ են:
- Մի քաշեք սնուցող մալուխը՝ խրոցը վարդակից հանելու համար: Բռնեք խրոցը և քաշեք:
- Մի բացեք լվացող միջոցների բաշխիչը լվացման ընթացքում:
- Մի դիպչեք հեռացվող ջրին՝ դրա ջերմաստիճանը կարող է շատ բարձր լինել:
- Երբեք մի բացեք դռնակը ուժով: Դա կարող է հանգեցնել բռնկվորման մեխանիզմի փասվելուն, որը նախատեսված է մեքենայի պատահական բացվելը կանխելու նպատակով:
- Անսարքության դեպքում ոչ մի պարագայում մի դիպչեք մեքենայի ներսի մասերին՝ փորձելով սարքել այն:
- Խուսափեք երեխաների շփումից աշխատող մեքենայի հետ:
- Լվացման ցիկի ընթացքում մեքենայի դռնակը կարող է տաքանալ:
- Եթե անհրաժեշտ է մեքենան տեղափոխել, կատարեք այդ գործողությունը երկու կամ երեք հոգով չափազանց զգուշությամբ: Երբեք մի փորձեք տեղափոխել մեքենան միայնակ՝ այն չափազանց ծանր է:
- Լվացքի մեքենայի մեջ սպիտակեղենի բեռումից առաջ հանոզվեք, որ թմբուկը դատարկ է:
- Չորացման ցիկի ընթացքում մեքենայի դռնակը կարող է տաքանալ:
- Մի չորացրեք իրերը մեքենայով, եթե դրանք լվացվել են դյուրավատ լուծող նյութերի կիրառմամբ (օրինակ տրիքլորետիլեն):
- Մի օգտագործեք սարքավորումը՝ ռետինե փրփուրից կամ նմանատիպ էլաստոմերներից պատրաստված իրեր չորացնելու համար:
- Չորացման ընթացքում ստուգեք, որ ջրի ծորակը բաց լինի:
- Մի թույլատրեք 3 տարեկանից ցածր երեխաներին մոտենալ սարքավորմանը՝ առանց մշտական հսկողության:
- Հանեք բոլոր իրերը գրպաններից, մասնավորապես կրակայրիչները և լուցկիները:

Խոտանում

- Փաթեթավորման նյութերի վերացում՝ պահպանեք փաթեթավորման նյութերի վերացման գործող պահանջները:
- Համաձայն 2012/19/EU Եվրոպական Հրահանգի էլեկտրական և էլեկտրոնային սարքավորումների խոտանման վերաբերյալ սարքավորումները չպետք է դնեն նետվեն քաղաքային աղբի հետ միասին: Շարքից դուրս եկած սարգերը պետք է առանձին հավաքվեն վերջիններիս խոտանման օպտիմալացման, ինչպես նաև շրջակա միջավայրի և առողջության անվտանգության նկատառումներից ելնելով: Բոլոր սարգերի վրա փակցված օնջված աղբաման պայմանանշանը ծառայում է որպես հիշեցում դրանց առանձին խոտանման մասին: Սարգերի խոտանման մասին ավելի մանրամասն տեղեկություններ ստանալու համար օգտատերերը կարող են դիմել հատուկ պետական կազմակերպություններ կամ խանութ:

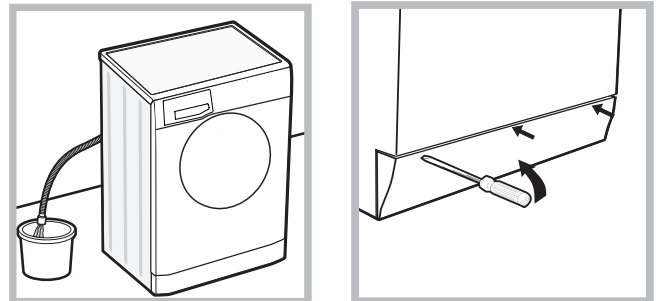
Տեղափոխման և պահպանման պայմանները

- Փաթեթավորած լվացքի մեքենան անհրաժեշտ է պահպանել 80%-ից ոչ ավելի հարաբերական խոնավության բնական օդափոխությամբ փակ տարածքներում: Եթե մեքենան երկար ժամանակ չի օգտագործվելու և պահպանվելու է չջեռուցվող տարացքում, անհրաժեշտ է մեքենայից ամբողջությամբ հեռացնել ջուրը:
- Մեքենան տեղափոխելուց առաջ անհրաժեշտ է տեղադրել տեղափոխման պտուտակները իրենց միջադիրներով, որպեսզի բացառվի լվացքի մեքենայի բացի վնասումը: Մեքենան անհրաժեշտ է տեղափոխել ուղահայաց դիրքով ապահով ամրացնելով այն փակ ծածկով տրանսպորտային միջոցին: Արգելվում է լվացքի մեքենան ենթարկել հարվածի բեռնափոխադրման աշխատանքների ժամանակ:

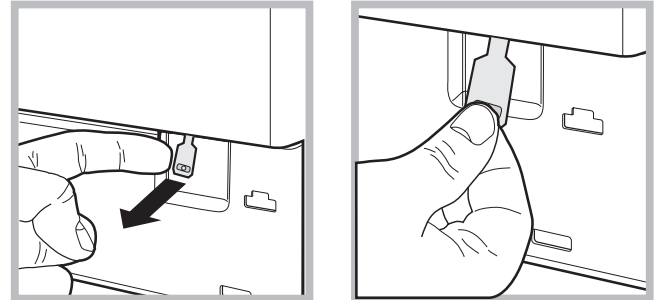
Դռնակի վթարային բացում

Եթե էլեկտրաէներգիայի անջատման պատճառով դռնակը հնարավոր չէ բացել, որպեսզի հանեք մաքուր սպիտակեղենը, վարվեք հետևյալ կերպ

1. վարդակից հանեք մեքենայի մալուխի խրոցը,



2. ստուգեք, որ ջրի մակարդակը մեքենայի դռնակից ցածր լինի, հակառակ դեպքում ջրի ավելցուկը ջրամուղ խողովակով փակեք դուրսի մեջ, ինչպես նշված է գծագրում,
3. պտուտակի օգնությամբ հանեք մեքենայի առջևի վահանակը

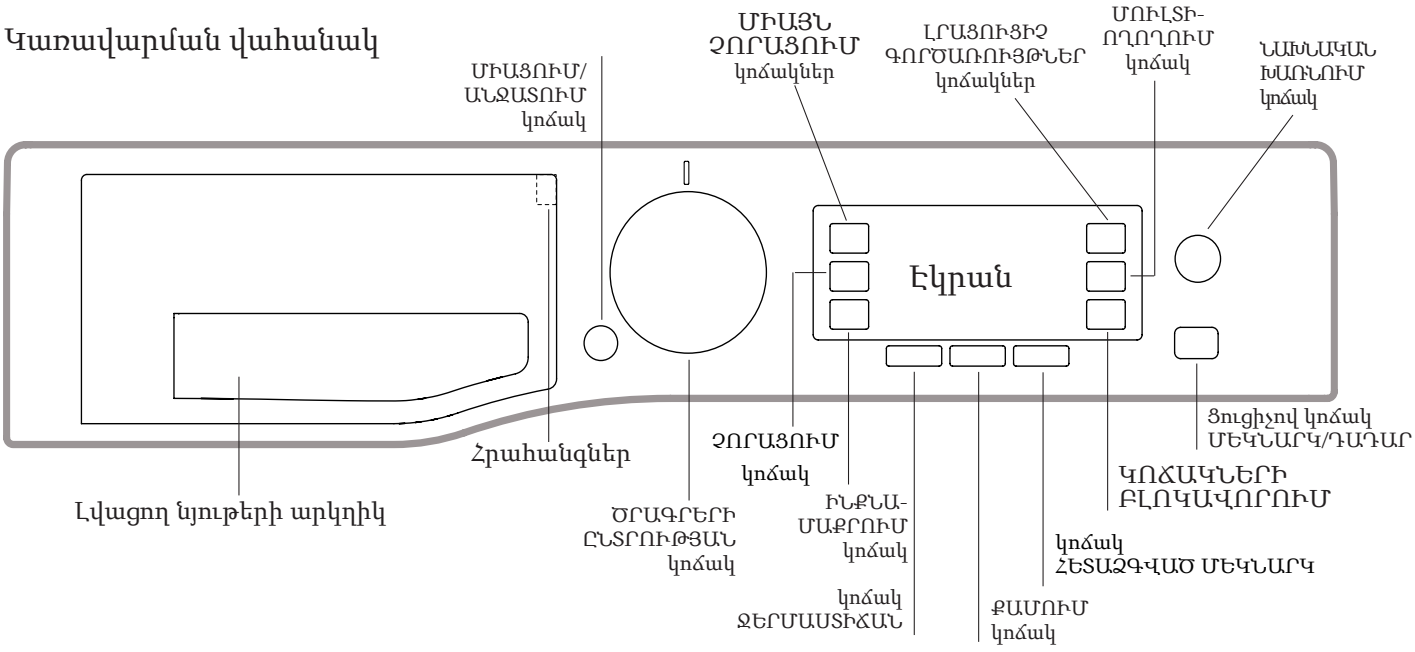


4. գծագրում ցույց տրված ձևով դուրս քաշեք լեզվակը մինչև պլաստիկ բռնկվորող մասնեկի ազատումը, հետո քաշեք այն ներքև և միաժամանակ բացեք դռնակը,
5. առջևի վահանակը տեղադրեք իր տեղը, մեքենային ամրացնելուց առաջ ստուգեք, որ կեռիկները մտնեն համապատասխան անցքի մեջ:

Լվացքի մեքենայի նկարագիրը

AM

Կառավարման վահանակ



Լվացող նյութերի խցիկ՝ լվացքի փոշու և փափկեցուցիչների բեռնման համար (տես «Լվացող նյութեր և սպիտակեղենի տեսակներ»):

Հրահանգներ՝ լվացող նյութերի խցիկի մեջ առկա է բոլոր հասանելի ծրագրերի հրահանգները, ինչպես նաև բաշխիչի առանձին խցիկների օգտագործման գրաֆիկական հրահանգները:

ՄԻԱՅՈՒՄ/ ԱՆՋԱՏՈՒՄ կոճակ : արագ սեղմեք կոճակին մեքենան միացնելու կամ անջատելու համար: Կանաչ գույնով հազվադեպ թարթող ՄԵԿՆԱՐԿ / ԴԱԴԱՐ ցուցիչը նշանակում է, որ մեքենան միացված է: Լվացման ընթացքում լվացքի մեքենան անջատելու համար անհրաժեշտ է մոտ 3 վայրկյան սեղմած պահել կոճակը: Թեթև կամ պատահական դիպչելը կոճակին չի հանգեցնի վերջինիս անջատման: Լվացման ընթացքում մեքենայի անջատելու դեպքում ընթացող փուլը չեղյալացվում է:

ԾՐԱԳՐԵՐԻ ԸՆՏՐՈՒԹՅԱՆ կոճակներ՝ ծառայում են ծրագրերի ընտրության համար (տես «Ծրագրերի աղյուսակ»):

ՀԱՎԵԼՅԱԼ ԳՈՐԾԱՌՈՒՅԹՆԵՐ կոճակներ՝ ծառայում են առկա լրացուցիչ գործառնությունների ընտրության համար: Ընտրված լրացուցիչ գործառնության համապատասխան ցուցիչը միանում է:

ԻՆՔՆՍՍԱՔՐՈՒՄ կոճակ՝ սեղմեք մեքենայի ներքին մասերի մաքրում իրականացնելու համար (տես «Լվացքի մեքենայի խնամք»):

ՆԱԽՆԱԿԱՆ ԽԱՌՆՈՒՄ կոճակ՝ թույլ է տալիս ընտրել ՆԱԽՆԱԿԱՆ ԽԱՌՆՈՒՄ գործառնությունը:

ՄՈՒԼՏԻ-ՈՂՈՂՈՒՄ կոճակ : սեղմել որոշման ճիշտ ռեժիմ ընտրելու համար:

ՔԱՍՈՒՄ կոճակ : Քամելու արագության նվազեցման և/կամ բացառման համար սեղմեք կոճակը՝ արժեքը արտացոլվում է էկրանին:

ԶԵՐՄԱՍՏԻՃԱՆ կոճակ : կոճակ՝ սեղմեք կոճակը ջերմաստիճանը նվազեցնելու համար՝ արժեքը արտացոլվում է էկրանին:

ԶՈՐԱՑՈՒՄ կոճակ : սեղմեք չորացման տևողության կրճատման կամ բացառելու համար; չորացման ընտրված ռեժիմը կամ տևողությունը ցուցադրվում է էկրանին:

ՄԻԱՅՈՒՄ ԶՈՐԱՑՈՒՄ կոճակ : սեղմեք կոճակը լվացքը միայն չորացնելու համար:

ԿՈՃԱԿՆԵՐԻ ԲԼՈԿԱՎՈՐՄԱՆ : Կառավարման վահանակի բոկավորումը միացնելու համար անհրաժեշտ է կոճակը սեղմած պահել մոտ 2 վայրկյան: «KEY LOCK ON» (ԿՈՃԱԿՆԵՐԻ ԲԼՈԿԱՎՈՐՈՒՄԸ ՄԻԱՅՎԱԾ Է) գրառումը էկրանի վրա նշանակում է, որ կառավարման վահանակը բոկավորված է (բացառությամբ ՄԻԱՅՈՒՄ/ԱՆՋԱՏՈՒՄ կոճակի): Այսպիսով հնարավոր չէ հանկարծակի փոփոխել ծրագիրը, հատկապես եթե տանը երեխաներ կան:

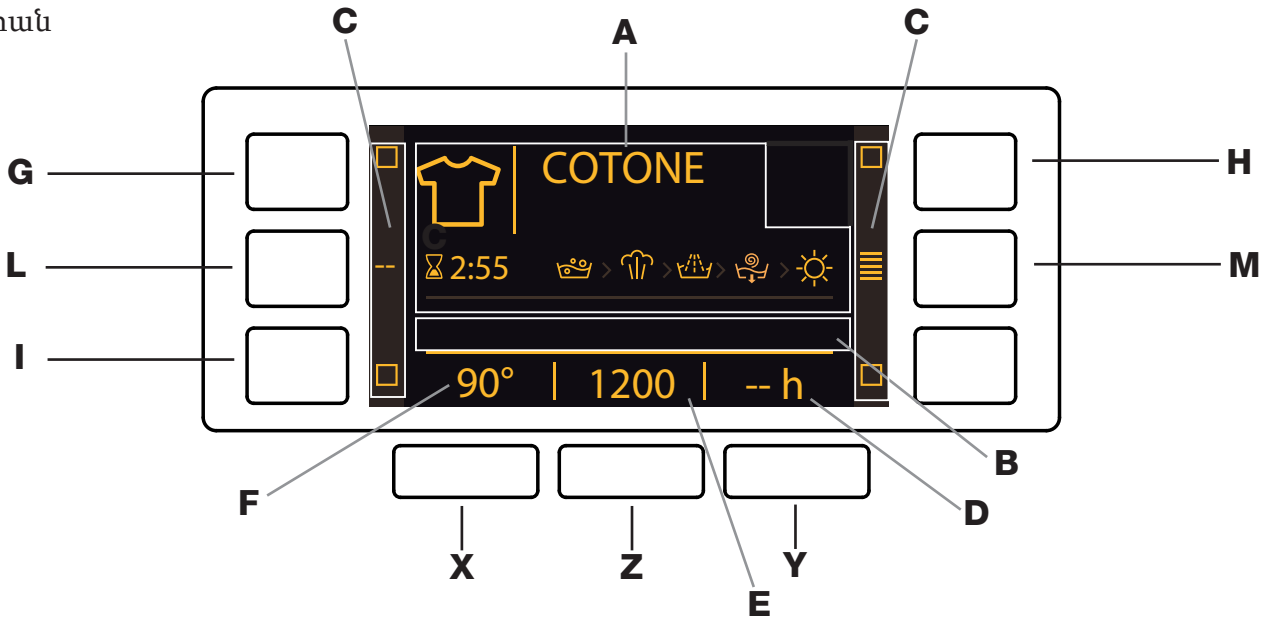
Կառավարման վահանակի բոկավորումը անջատելու համար կոճակը կրկին սեղմած պահեք մոտ 2 վայրկյան: ԶԵՏԱԶԳՎԱԾ ՄԵԿՆԱՐԿ կոճակ : սեղմեք ընրված ծրագրի մեկնարկի հետևած մասնակը ծրագրավորելու համար: Զետաձգման ժամանակը արտացոլվում է էկրանին:

ՄԵԿՆԱՐԿ/ԴԱԴԱՐ ցուցիչով կոճակ՝ երբ ցուցիչը թարթում է կանաչ լույսով, սեղմեք կոճակը լվացման փուլի մեկնարկի համար: Ընթացիկ փուլի ժամանակավոր կասեցման համար կրկին սեղմեք այդ կոճակը: Համապատասխան ցուցիչը կթարթի նարնջագույն լույսով, իսկ լվացքի ընթացիկ փուլի ցուցիչը կվառվի առանց թարթելու: Եթե ցուցիչը հանգչեց, կարելի է բացել դռնակը: Փուլի կասեցման պահից վերսկսման համար նորից սեղմեք ՄԵԿՆԱՐԿ/ԴԱԴԱՐ:

Սպասողական ռեժիմ Տվյալ լվացքի մեքենան համապատասխանում է էլեկտրաէներգիայի տնտեսման նոր նորմատիվների պահանջներին, կոմպլեկտավորված է ավտոմատ անջատման համակարգով (էներգիայի պահպանման ռեժիմ), որը միանում է մեքենայի պարապուրդի 30 րոպեյն լրանալիս: Մեկ անգամ սեղմեք ՄԻԱՅՈՒՄ/ԱՆՋԱՏՈՒՄ կոճակը և սպասեք մինչև մեքենան կրկին միանա: Հոսանքի սպառումը անջատված ռեժիմում՝ 0,5 Վտ Հոսանքի սպառումը միացված ռեժիմում՝ 8 Վտ

Հակամանրեային ներդիր Դռնակի ներդիրը պատրաստված է հատուկ խարնուրդից, որը ապահովում է հակամանրեային պաշտպանությունը 99,99%-ով կրճատելով մանրէների բազմացումը: Դռնակի ներդիրը պարունակում է Ցինկի պիրիտիոն պեստիցիդային նյութ, որը կրճատում է գասակար մանրէները (*), ինչպիսիք են բակտերիաները և բորբոսը, որոնք կարող են հանգեցնել լաքաների, տիած հոտերի առաջացման և փսասել իրը: (*) Համաձայն Պերուջիի Համալսարանում անցկացված թեստերին Staphylococcus aureus, Escherichia coll, Pseudomonas aeruginosa, Candida albicans, Aspergillus niger, Penicillium digitatum Հազվադեպ դեպքերում ներդիրի հետ երկարատև շփումը կարող է առաջաննել ալերգիա:

Էկրան



Էկրանը ծառայում է մեքենայի ծրագրավորման համար և տրամադրում է օգտատերերին բազմաթիվ տեղեկություններ:

Թիվ A հատվածում կցուցադրվեն հետևյալ տեղեկությունները՝ ընտրված պատկերակը և ծրագիրը, լվացման և չորացման փուլերը և ցիկլի ավարտին ժամանակը:

B հատվածում արտացոլվում են ՆԱԽՆԱԿԱՆ ԽԱՆՆԱԿԱՆ ՕՎԵՐՈՒՄ օպցիային համապատասխան ինտենսիվության 2 աստիճանները:

C հատվածներում գտնվում են լուսացուցիչները, որոնք համապատասխանում են հասանելի գործառնություններին:

D հատվածում արտացոլվում է բեռնված ծրագրի մեկնարկին ժամանակը, եթե ընտրված է ՀԵՏԱԶԳՎԱԾ ՄԵԿՆԱԿ գործառնությունը:

E հատվածում արտացոլվում է քամելու առավելագույն հնարավոր արժեքը կոնկրետ ընտրված ծրագրին համապատասխան: Եթե ծրագիրը չի նախատեսում քամում, ապա վահանակի վրա կարտացոլվի “--” պայմանանշանը:

F հատվածում արտացոլվում է ջերմաստիճանի առավելագույն հնարավոր արժեքը կոնկրետ ընտրված ծրագրին համապատասխան: Եթե ծրագիրը չի նախատեսում ջերմաստիճանի ընտրություն, ապա վահանակի վրա կարտացոլվի “--” պայմանանշանը:

🔒 Դռնակի բլոկավորման ցուցիչ՝

Միացված ցուցիչը ցույց է տալից, որ դռնակը բլոկավորված է հանկարծակի բացումից խուսափելու համար (սպասեք մոտ 3 րոպե): Դռնակի ժառանգից խուսափելու համար այն բացելուց առաջ անհրաժեշտ է սպասել մինչև ցուցիչը մարի, կարելի է բացել դռնակը: ԾԱՆՈՒՑՈՒՄ՝ Եթե միացված է ՀԵՏԱԶԳՎԱԾ ՄԵԿՆԱԿ գործառնությունը, դռնակը հնարավոր չէ բացել: Դրա համար մեքենան անհրաժեշտ է փոխարկել դադարի ռեժիմ ՄԵԿՆԱԿ/ԴԱԴԱԿ կոճակի օգնությամբ:

! Մեքենայի առաջին միացումից առաջ անհրաժեշտ է ընտրել լեզուն՝ էկրանին ավտոմատ կերպով կբացվի լեզվի ընտրության պատուհանը:

Լեզվի ընտրման համար սեղմեք X և Y կոճակները, ընտրությունը հաստատելու համար՝ Z:

Եթե անհրաժեշտ է փոխել լեզուն, անջատեք մեքենան, միաժամանակ սեղմեք G,H,I կոճակները, սպասեք մինչև կինչի ձայնային ազդանշանը և կարտացոլվի լեզվի ընտրության պատուհանը:

! Եթե դուք ցանկանում եք փոփոխել էկրանի լուսավորության ինտենսիվությունը՝ բեռնված է ամենաբարձր հարթության վրա, անջատեք մեքենան, միաժամանակ սեղմեք G,L,M կոճակները մինչև ձայնային ազդանշանի հնչելը:

Սեղմեք X և Y կոճակները, ընտրեք լուսավորության ցանկալի հարթություն, հաստատելու համար սեղմեք Z:

! Եթե լվացման փուլի կամ ՀԵՏԱԶԳՎԱԾ ՄԵԿՆԱԿ գործառնության ժամանակ 1 րոպեյի ընթացքում էկրանի հետ չեն կատարվում որոշակի գործողություններ, ակտիվանում է « ԷԿՐԱՆԻ ՊԱՀՊԱՆՈՒՄ » գործառնությունը: Նախորդ պատուհանին վերադառնալու համար սեղմեք որևէ կոճակ:

Ծրագրերի աղյուսակ

Լվացման ցիկեր	Լվացման ցիկերի նկարագրություն	Առավել. ջերմ. (°C)	Առավել. արագ. (պտույտ/ր)	Չորացում	Լվացող միջոցներ		Առավել. բեռնում (կգ)	Ցիկի տևողություն	
					Լվացում	Փափկեցուցիչ			
ANTI CREASE									
1	Սովորական խառը լվացում և չորացում	40°	800	●	●	●	3	:խոսքով վերականգնվող և արտադրվող ստանդարտի վրա	
2	Շապիկներ և վերնաշապիկներ	40°	1000	●	●	●	2		
3	Թեթև արդուկում	-	-	-	-	-	1,5		
4	Թարմացնող գոլորշի	-	-	-	-	-	2		
DAILY CLEAN									
5	Կեղտաբծերի տուրբո հեռացում 45°	20° (Առավել. 40°C)	1200	●	●	●	4		
6	Կեղտաբծերի ուլտրա հեռացում 20°C	40°	1400	●	●	●	9		
7	Բամբակ՝ թեթև աղտոտված և նուրբ գունավոր սպիտակեղեն:	40° (Առավել. 90°C)	1400	●	●	●	9		
8	Էկո Բամբակ (1-2)՝ խիտ աղտոտված և կայուն ներկված գունավոր սպիտակեղեն:	60°	1400	●	●	●	9		
9	Սինթետիկ (3): թեթև աղտոտված և կայուն ներկված գունավոր սպիտակեղեն:	40° (Առավել. 60°C)	1000	●	●	●	4,5		
SPECIALS									
10	Բազմագույն	40°	1400	●	●	●	9		
11	Ուլտրա նուրբ	30°	--	●	●	●	1		
12	Բուրդ՝ բրդի, կաշվի և ասիլ:	40°	800	●	●	●	2		
13	Սպորտ	40°	600	●	●	●	4		
14	Արագ 30' (**): թեթև աղտոտվածության հազուսուրբ արագ թարմացնելու համար (նախատեսված չէ բրդի, մետաքսի և ձեռքով լվացում պահանջող հագուստի համար):	30°	800	●	●	●	3,5		
ՄԱՍՆԱԿԻ ԾՐԱԳՐԵՐ									
	Պարզաջրում	-	1400	●	-	●	9		
	Քամում և ջրահեռացում	-	1400	●	-	-	9		
	Միայն ջրահեռացում *	-	--	-	-	-	9		

* Այս ծրագիրն ընտրելու և քամելու ցիկը բացառելու դեպքում մեքենան կկատարի միայն ջրահեռացումը:
 ** Չորացման ցիկը ներառելու դեպքում մեքենան կկատարի «լվացում+չորացում» ծրագիրը, որը կտևի 45 րոպե՝ պտույտների առավելագույն արագությամբ և 1 կգ լվացքի բեռնամբ:

Ցուցադրված վրա կամ այս թուղթի վրա նշված ցիկի տևողությունը մոտավոր է և հաշվարկվում է մեքենայի ստանդարտ աշխատանքի հիման վրա: Իրական տևողությունը կարող է տարբերվել, կախված տարբեր գործոններից, ինչպիսիք են ջերմուղու ջրի ջերմաստիճանը և ձևումը, լվացող նյութի քանակը, լվացվող իրերի ծավալը և գործվածքի տեսակը, բեռնման հավասարակշռությունը և լվացման ընտրված տարբերակները:

- 1) Լվացման փորձնական ցիկը EN 50229 կանոնի համաձայն՝ միացրեք թիվ 8 լվացման ցիկը 60°C ջերմաստիճանով:
- 2) Երկար լվացման ցիկը բամբակե իրերի համար՝ միացրեք ծրագիր 8-ը 40°C ջերմաստիճանով և սեղմեք DIRECT INJECTION կոճակը "Power" (Ուլտրա) ռեժիմի տակ:
- 3) Երկար լվացման ցիկը սինթետիկ իրերի համար՝ միացրեք թիվ 9 լվացման ցիկը 40°C ջերմաստիճանով:

ԼՎԱՑՄԱՆ ԳՈՐԾԱՌՈՒՅԹՆԵՐ

! Եթե ընտրված լրացուցիչ գործառույթը անհամատեղելի է ընտրված ծրագրի հետ, ապա կմիանա համապատասխան ցուցիչը և ձայնային ազդանշանը (3 անգամ), Էկրանին կհայտնվի "No Selection" (ԸՆՏՐՎԱԾ ՉԷ) գրառումը:

! Եթե ընտրված գործառույթը անհամատեղելի է ավելի վաղ ընտրված լրացուցիչ գործառույթի հետ, Էկրանին կհայտնվի "No Selection" (ԸՆՏՐՎԱԾ ՉԷ) գրառումը և գործառույթի մեկնարկը անհնար կլինի:

! Գոլորշով ախտահանում
 Լվացման այս տարբերակը իրականացվում է գոլորշու միջոցով՝ գործվածքի վրա առկա մանրէները ոչնչացնելու համար: Տեղադրեք լվացքը թմբուկի մեջ, ընտրեք համապատասխան ծրագիրը և նշեք այս տարբերակը :
! Այս տեսակի լվացման ընթացքում գոլորշին կարող է պատել մեքենայի դռնակը:

Լվացող նյութեր և սպիտակեղենի տեսակներ

AM

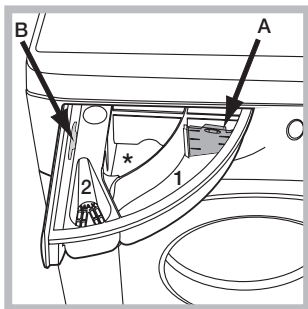
Լվացող նյութերի բաշխիչ

Լվացքի լավ արդյունքը կախված է նաև լվացող նյութերի ճիշտ չափաբանակից՝ վերջինիս ավելցուկը ոչ միայն չի երաշխավորում ավելի արդյունավետ լվացք, այլև կարող է հանգեցնել մեքենայի ներսում նստվածքների առաջացմանը և շրջակա միջավայրի աղտոտմանը:

! Օգտագործեք տարբեր լվացքի միջոցներ՝ բամբակյա իրերի, նախնական լվացքի և 60°C-ից բարձր ջերմաստիճանի լվացքի համար:

! Հետևեք լվացքի միջոցի փաթեթավորման վրա գրված հրահանգներին:

! Մի օգտագործեք ձեռքի լվացքի համար նախատեսված միջոցներ՝ դրանք առաջացնում են չափազանց քանակի փրփուր:



Քաշեք բաշխիչը և բեռները լվացող միջոցը կամ հավելումը հետևյալ կարգով:

! Մի լցրեք լվացքի միջոցը մեջտեղի խցիկում (*):

Խցիկ 1՝ Լվացման ցիկի համար նախատեսված լվացող միջոց (փռի կամ հեղուկ)

Հեղուկ նյութ օգտագործելու

դեպքում ճիշտ չափաբաժնի որոշման համար խորհուրդ ենք տալիս օգտագործել թիվ A շարժական պլաստիկ միջոցը (ներառված է սարքավորման լրակազմում):

Լվացքի փռի օգտագործելու դեպքում տեղադրեք միջոցը խորշ B-ում:

Խցիկ 2՝ Հավելումներ (գործվացքի փափկեցուցիչներ և այլն) Մի լցրեք փափկեցուցիչը ցանցից բարձր:

Լվացքի նախապատրաստում

- Բաժանեք սպիտակեղենը
 - ըստ գործվացքի տեսակների/սպիտակի վրայի նշումների
 - ըստ գույների՝ առանձնացրեք սպիտակը գունավորից:
- Դատարկեք գրպանների պարունակությունը և ստուգեք կոճակների ամրությունը:
- Մի գերազանցեք «Օրագրերի աղյուսակի» արժեքները, որտեղ նշված է չոր սպիտակեղենի քաշը:

Որքա՞ն է ձեր սպիտակեղենի քաշը:

- 1 սավան 400-500 գ
- 1 բարձի երես 150-200 գ
- 1 սփռոց 400-500 գ
- 1 խավթ 900-1200 գ
- 1 սրբիչ 150-250 գ

Լվացման հատուկ ցիկներ

Մովորական խառը լվացում և չորացում՝ օգտագործեք ծրագիր 1-ը՝ խառը (բամբակե և սինթետիկ) գործվացքներ լվանալու համար: Այս ցիկի միջոցով կարելի է լվանալ և չորացնել մինչև 3 կգ սպիտակեղեն: Խորհուրդ ենք տալիս օգտագործել հեղուկ լվացքի նյութ:

Գոլորշու կիրառում այս ծրագրում նախատեսված է ծալքերի գոյացումը նվազեցնելու և արդուկումը հեշտացնելու համար:

Շապիկներ և վերնաշապիկներ՝ օգտագործեք ծրագիր 2-ը՝ առավելագույն խնամքով տարբեր գործվացքների ու գույների շապիկներ և վերնաշապիկներ լվանալու և չորացնելու համար: Այս ցիկի միջոցով կարելի է լվանալ և չորացնել մինչև 2 կգ սպիտակեղեն: Լավագույն արդյունքներ ստանալու համար օգտագործեք հեղուկ լվացող միջոց և նախապես մշակեք մանժետները, օձիքները և կեղտաբծերը: Գոլորշու կիրառում այս ծրագրում նախատեսված է ծալքերի գոյացումը

նվազեցնելու և արդուկումը հեշտացնելու նպատակով: Թեթև արդուկում օգտագործեք այս ծրագիրն անմիջապես արդուկելուց առաջ՝ առավելագույնը 1,5 կգ սպիտակեղենի համար: Գոլորշու կիրառում այս ծրագրում նախատեսված է ծալքերի գոյացումը նվազեցնելու և արդուկումը հեշտացնելու նպատակով:

Թարմացնող գոլորշի՝ նախատեսված է հագուստի թարմացման համար, չեզոքացնում է տհաճ հոտերը և փափկեցնում գործվացքը գոլորշու միջոցով: Յիկլի վերջում հագուստը դառնում է խոնավ:

Կեղտաբծերի տուրքը հեռացում 45՝ այս ծրագիրը հիանալի կերպով հեռացնում է կեղտաբծերը 20°C ջերմաստիճանում ընդամենը 45 րոպեի ընթացքում: Օրագրի ջերմաստիճանը կարելի է բարձրացնել մինչև 40°C:

Կեղտաբծերի ուլտրա հեռացում 20°C՝ այս ծրագիրն առավելագույն կերպով հեռացնում է կեղտաբծերը առանց դրանց նախնական մշակման ցածր ջերմաստիճաններում պահպանելով գործվացքների որակը և գույները:

Բազմագույն գունավոր բամբակե հագուստ լվանալու համար: Այս ծրագիրը հնարավորություն է տալիս պահպանել գույները նույնիսկ կրկնակի լվացումից հետո: Ուլտրա նուրբ օգտագործեք ծրագիր 11-ը ստրագերով և փայլերով զարդարված շատ նուրբ հագուստ լվանալու համար:

Մինչև լվանալը խորհուրդ ենք տալիս շրջել հագուստը թարս կողմ և տեղադրել փոքր իրերը նուրբ հագուստի համար նախատեսված հատուկ պարկի մեջ: Լավագույն արդյունքի հասնելու համար օգտագործեք նուրբ հագուստի լվացման հեղուկ միջոցներ:

Միայն ժամանակի հիման վրա չորացման ռեժիմ ընտրելու դեպքում լվացքի վերջում կատարվում է բացառապես նուրբ չորացում թմբուկի թեթև պտույտի և հատուկ կերպով վերահսկվող օդի ջերմաստիճանի շնորհիվ:

Նախընտրելի տևողություն

- 1 կգ սինթետիկ հագուստ --> 165 րոպե
- 1 կգ սինթետիկ և բամբակե հագուստ --> 180 րոպե
- 1 կգ բամբակե հագուստ --> 180 րոպե

Չորացման աստիճանը կախված է բեռնված հագուստի ծավալից և գործվացքի տեսակից:

Բուրդ «Woolmark Apparel Care - Green» սպիտակ՝ «Բուրդ» ցիկը հավանություն է ստացել Woolmark Company ընկերության կողմից բրոյա իրերի լվացման համար, որոնք դասակարգվում են որպես «ձեռքով լվացք» այն պայմանով, որ այդ իրերը լվացվում են սպիտակեղենի վրա նշված և տվյալ մեքենայի արտադրողի հրահանգների համաձայն:



Սպորտ՝ թեթևակի աղտոտված սպորտային հագուստի համար (մարզահագուստ, շորտեր, սրբիչներ և այլն): Լավագույն արդյունքի հասնելու համար խորհուրդ ենք տալիս չգերազանցել «Օրագրերի աղյուսակում» նշված մեքենայի առավելագույն բեռնումը: Առաջարկում ենք օգտագործել հեղուկ լվացող միջոց և ավելացնել հեղուկի կես բեռնման ծավալը:

Սպիտակեղենի հավասարակշռման համակարգ

Չափազանց վիբրացիայից խուսափելու և սպիտակեղենի հավասարաչափ բաշխման նպատակով՝ ամեն անգամ քամելուց առաջ մեքենան կատարում է լվացքի արագությունը քիչ գերազանցող արագությամբ պտույտներ: Եթե մի քանի փորձից հետո սպիտակեղենը ճիշտ բաշխված չեղավ, քամումը կիրականացվի նախատեսվածից ցածր արագության տակ: Չափազանց անհավասար հավասարակշռման պատճառով մեքենան կարող է քամելու փոխարեն սպիտակեղենի դասավորում կատարի: Թմբուկի պարունակության արդյունավետ դասավորման համար խորհուրդ ենք տալիս մեքենան բեռնելիս խառնել փոքր և մեծ իրերը:

Եթե ձեր լվացքի մեքենան չի աշխատում: Նախքան Արտոնագրված սպասարկման կենտրոն դիմելը (տես Արտոնագրված սպասարկում) ստուգեք կարելի է արդյոք վերացնել անսարքությունները, հետևելով հետևյալ հավելվածում բերված խորհուրդներին:

Հայտնաբերված անսարքություն
Լվացքի մեքենան չի միանում.

- Հնարավոր պատճառներ/Վերացման մեթոդներ
- Խրոցը փակված չէ վարդակի կամ վատ է միացված, ինչը չի ապահովում շփում
 - Տանը անջատված է հոսանքը:

Լվացքի փուլը չի ակտիվանում.

- Վատ է փակված մեքենայի դռնակը
- Սեղմված չէ ՄԻԱՅՈՒՄ/ԱՆՋԱՏՈՒՄ կոճակը
- Սեղմված չէ ՄԵԿՆԱՐԿ/ԴԱԴԱՐ կոճակը
- Ջրի մատուցման խողովակը փակ է
- Ծրագրավորած է փուլի գործարկման հետաձգում

Մեքենայի մեջ ջուր չի լցվում
(Ցուցադրիչի վրա գրվում է «NO WATER, Turn tap on»):

- Ջրամատակարարման խողովակը միացված չի ծորակին
- Խողովակը ծալված է
- Փակ է ջրի մատակարարման ծորակը
- Տանը ջուր չկա
- Ջրմուղի ճնշումը բավականաչափ չէ
- Սեղմված չի եղել ՄԵԿՆԱՐԿ/ԴԱԴԱՐ կոճակը

Լվացքի մեքենան սխալ է լցնում և թափում ջուրը.

- Ջրահեռացման խողովակը գտնվում է գետնի մակերևույթից 65 ցածր կամ 100 սմ բարձր (տես Տեղադրում).
- Ջրահեռացման խողովակի ծայրը գտնվում է ջրի մեջ (տես Տեղադրում).
- Պատի ջրահեռացումը չունի օդահեռացման խողովակ Եթե վերը նշված ստուգումներից հետո անսարքությունը չհեռացվի, պետք է պակել ջրամատակարար խողովակը, անջատել լվացքի մեքենան և դիմել Արտոնագրված Սպասարկման Կենտրոն: Եթե ձեր բնակարանը գտնվում է շենքի վերին հարկերում, ապա կարող են դիտվել սիֆոնային երևույթներ, դրա համար էլ լվացքի մեքենան սխալ է իրականացնում ջրամատակարարում և ջրի հեռացում: Այս խնդրի հեռացման համար վաճառքում կան հատուկ փականներ սիֆոնային երևույթների համար:

Լվացքի մեքենան չի թափում ջուրը և չի քամում սպիտակեղենը

- Ընտրված ծրագիրը չի նախատեսում ջրի հեռացում, որոշ ծրագրերի համար անհրաժեշտ է իրականացնել հավելյալ ջրահեռացում
- Ջրահեռացման խողովակը ծալված է (տես. “Տեղադրում”).
- Կոյուղին խցանված է

Լվացքի մեքենան ուժեղ տատանվում է քամելու ժամանակ.

- Լվացքի մեքենայի տեղադրման ժամանակ թմբուկը սխալ է հակաբոկավորված (տես Տեղադրում)
- Լվացքի մեքենան անհավասար է տեղադրված (տես. “Տեղադրում”).
- Մեքենան սեղմված է պատի և կահույքի արանքում (տես “Տեղադրում”)

Լվացքի մեքենայից ջրի արտահոսք.

- Վատ է ամրեցված մատակարար խողովակը (տես. “Տեղադրում”)
- Լվացող նյութերի բաշխիչը աղբոտված է: Բաշխիչի մաքրում (տես (տես. “Տեխնիկական սպասարկում և խնամք”))
- Վատ է ամրեցրած ջրահեռացման խողովակը (տես. “Տեղադրում”)

Հավելյալ ֆունկցիաների ցուցիչը և ՄԵԿՆԱՐԿ/ԴԱԴԱՐ ցուցիչը արագ թարթում է, էկրանին ցույց է տալիս շեղման կոդը (օկ. F-01, F-...).

- Անջատեք մեքենան և հանեք խրոցը վարդակից, սպասեք 1 րոպե և նորից միացրեք մեքենան:
- Եթե անսարքությունը չի հեռացվել, դիմեք Արտոնագրված Սպասարկման կենտրոն

Լվացքի ժամանակ չափից շատ փրփուր է առաջանում.

- Լվացող նյութը նախատեսված չի լվացքի մեքենայի համար (փաթեթի վրա պետք է նշված լինի «լվացքի մեքենայի համար» կամ «ձեռքի և մեքենայի լվացքի համար»)
- Լվացող նյութի քանակի չափազանցում

Լվացքի մեքենան չի կատարում չորացում

- Խրոցը ագուցած չէ վարդակի կամ վատ է ագուցած, ինչը խափանում է կոնտակտը:
- Բնակարանում անջատված է էլ. հոսանքը
- Մեքենայի դռնակը ամուրջի փակված
- Ծրագրավորված է եղել փուլի հետաձգված մեկնարկ
- Չորացում կարգավորիչը գտնվում է OFF դիրքում:

Սերվիսային սպասարկում

AM

Մենք հոգ ենք տանում մեր գնորդների մահին և աշխատում ենք սերվիսային սպասարկումը դարձնել առավել որոկյալ: Մենք մշտապես կատարելագործում ենք մեր ապրանքը, որպեսզի Ձեր շփումը տեխնիկայի հետ դարձնենք պարզ և հաճելի:

Տեխնիկայի նկատմամբ խնամք
Երկարացրեք շահագործման ժամկետը և իջեցրեք տեխնիկայի կոտրվելու հավանականությունը:

Ձեր տեխնիկայի առավել հեշտ, պարզ և արդյունավետ խնամքի համար օգտվեք Indesit Professional մասնագիտացված փոփոխություններից:

Indesit Professional արտադրվում է Իտալիայում, պահպանելով եվրոպական բարձր չափանիշները որակի, բնապահպանության և անվտանգության ասպարեզներում և ստեղծված են հաշվի առնելով տեխնիկա: Մանրամասներն իմացեք www.hotpoint-ariston.com կայքից «Сервис» բաժնից և հարցրեք Ձեր քաղաքի խանութներում:

Արտոնագրված սպասարկման կենտրոններ
Որպեսզի մեր սպառողներին մոտ լինենք, մենք ստեղծել ենք սպասարկման մեծ ցանց, որի հիմքում ընկած է ծառայության վարպետների բարձր պատրաստվածությունը, վարպետությունը և ազնվությունը: Այսօր նրա կազմում հաշվառվում է շուրջ 350 կենտրոններ Ռուսաստանի և ԱՊՀ-ի տարածքում:
Դրանց հետ կապվելու փոփոխություններ Դուք կարող եք գտնել սպասարկման վկայականի վրա և e www.hotpoint-ariston.com կայքի «Сервис» բաժնում:
Եթե Ձեզ պետք է դիմել սպասարկման կենտրոն
Ուշադրություն: Վերանորոգման ժամանակ պահանջեք օրիգինալ պահեստային մասերի օգտագործում:

- Նախքան Սպասարկման Ծառայության դիմելը.
- Ստուգեք հնարավոր չէ արդյոք ինքնուրույն վերացնել անսարքությունը (տես. «Անսարքություններ և դրանց հեռացման մեթոդներ»),
 - Մեքենայի անսարքությունը ստուգելու համար նորից մացրեք ծրագիրը,
 - Հակառակ դեպքում դիմեք Արտոնագրված սպասարկման կենտրոն երաշխիքի կտրոնի վրա նշված հեռախոսահամարով:

! Երբեք մի դիմեք չարտոնագրված սպասարկման կենտրոններ:

- Սպասարկման Ծառայության դիմելիս անհրաժեշտ է հայտնել.
- անսարքության տեսակը,
 - երաշխիքային կտրոնի համարը (սպասարկման գրքույկ, սպասարկման վկայական և այլն),
 - մեքենայի մոդելը (Mod.) և սերիական համարը (S/N), որոնք նշված են լվացքի մեքենայի հետևի վահանակի տեղեկատվական աղյուսակում:


Այլ օգտակար տեղեկություններ և նորություններ Դուք կարող եք գտնել www.hotpoint-ariston.com կայքում «Сервис» բաժնում:

Пайдалануу боюнча нускама

Кир жуугуч машина

KGZ

Кыргыз

!  Бул символ Сизге бул техникалык колдонмону пайдалануу зарылчылыгы жөнүндө эскертет.

KGZ

RDPD 96407 J

Энергия натыйжалуулугу класстарынын шайкештиги	
Продуктта көрсөтүлгөн энергия натыйжалуулугунун классы жөнүндө маалымат	Россия мыйзамдарына ылайык энергия натыйжалуулугунун классы
A	A
A+	A-10% (*)
A++	A-20% (*)
A+++	A-30% (*)
A+++ -10%	A-40% (*)
A+++ -20%	A-50% (*)

(*) энергия натыйжалуулуктун көрсөткүчтөрүнүн пайыздарынын бул өлчөмү Россия Федерациясынын ченемдик документтери менен аныкталган, "А" классына караганда мыкты.

Мазмуну

Орнотуу, 62-63

Таңгагын чечүү жана тегиздөө
Суу түтүк жана электр тармагына туташтыруу
Жуунун биринчи циклы
Техникалык маалыматтар

Техникалык тейлөө жана кам көрүү, 64

Сууну жана электр тогун өчүрүү
Кир жуугуч машинага кам көрүү
Жуугуч каражаттарды бөлүштүргүчкө кам көрүү
Люкка жана барабанга кам көрүү
Соркыскычка кам көрүү
Суу түтүк ийкем түтүгүн текшерүү

Сактык жана сунуштар, 65

Коопсуздукка карата жалпы талаптар
Утилизациялоо
Сактоо жана ташуу шарттары
Люкту авариялык ачуу

Кир жуугуч машинанын сүрөттөө, 66-67

Башкаруу панели
Дисплей

Жуу циклин же кургатуу циклин кантип иштетиш керек, 68

Программалар жана кошумча функциялар, 69

Программалардын таблицасы
Кир жуунун кошумча функциялары

Жуугуч заттар жана кирдин түрлөрү, 70

Жуугуч каражаттарды бөлүштүргүч
Кирди даярдоо
Атайын программалар
Кирди тең салмактоо тутуму

Бузуктар жана аларды жоюу методдору, 71

Сервистик тейлөө, 72

Hotpoint
ARISTON



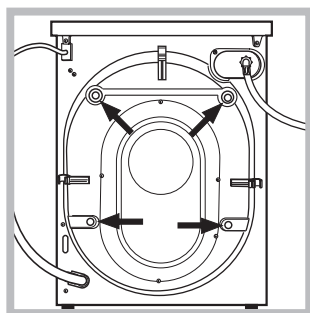
! Бул колдонмону сактап коюңуз. Ал жабдууну сатуу, берүү же жаңы батирге көчүү учурунда, жабдуунун жаңы ээси анын иштөөсүнүн жана тейлөөнүн эрежелери менен тааныша алуусу үчүн, кир жуугуч машина менен бирге комплектте болушу керек.

! Колдонмону жакшылап окуңуз: анда кир жуугуч машинаны орнотуу жана коопсуз пайдалануу боюнча маанилүү маалыматтар камтылган.

Таңгагын чечүү жана тегиздөө

Таңгагын чечүү

1. Кир жуугуч машинанын таңгагын чечиңиз.
2. Жабдуу ташуу убагында бузулбаганын текшериңиз. Бузулууларды аныктаганда – машинаны иштетпеңиз – дароо жеткирүүчү менен байланышыңыз.



3. Кир жуугуч машинанын төрт ташуу бурмаларын жана арткы жагында жайгашкан төшөмдөрү менен резина тыгынды алыңыз (сүрөттү кара.).

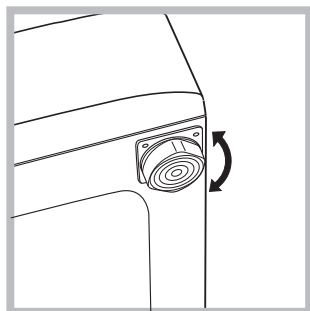
4. Тешиктерди сунушталуучу пластик тыгын менен жабыңыз.
5. Бардык деталдарын сактаңыз: алар кир жуугуч машинаны кийинки жолу ташууда Сизге керек болот.

! Балдардын таңгактоо материалдары менен ойноосуна жол бербейиз.

! Таңгак жана анын айрым элементтери тамак менен байланыштыруу үчүн арналган эмес.

Тегиздөө

1. Кир жуугуч машинаны тегиз жана бекем полго ал дубалга, эмерекке жана башка предметтерге тийбегендей орнотуңуз.



2. Машинаны орунга орноткондон кийин алдыңкы буттарын айлантуу аркылуу анын туруктуу абалын жөндөңүз (сүрөттү кара.). Бул үчүн алгач контргайканы бошотуңуз, жөнгө салууну аяктагандан кийин контргайканы бураңыз.

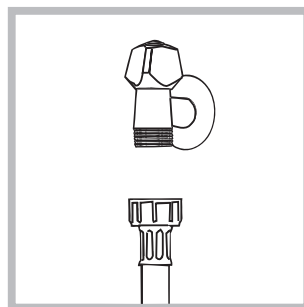
Машинаны орунга орноткондон кийин деңгээл боюнча корпустун жогорку капкагынын горизонталдуулугун текшериңиз, горизонталдын жантаюусу 2° көп болушу керек.

Жабдууну туура тегиздөө машина иштеп жаткан убактагы чурулдоодон, вибрациядан жана жылуудан алыс болууга жардам берет.

Эгерде кир жуугуч машина килем төшөлгөн полдо турса, анын негизи килемден жогору турганын текшериңиз. Болбосо желдетүү кыйындайт же таптакыр мүмкүн болбой калат.

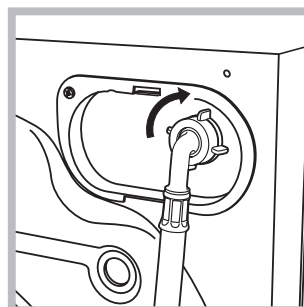
Суу түтүк жана электр тармагына туташтыруу

Суу куюучу ийкем түтүгүн туташтыруу



Суу куюучу ийкем түтүгүн туташтыруу

1. А төшөмүн суу куюучу ийкем түтүгүнүн учуна коюңуз жана аны $3/4$ дюйм сай тешиги менен муздак суу түтүгүнүн чыгуусуна бурап бекитиңиз (сүрөттү кара.). Туташтыруу алдында суу түтүк кранын ачыңыз жана кир сууну агызыңыз.



2. Суу куюучу ийкем түтүгүн кир жуугуч машинанын оң жагындагы арткы жогорку бөлүгүндө жайгашкан суу кабылдагычка бурап, кир жуугуч машинага туташтырыңыз (сүрөттү кара.).

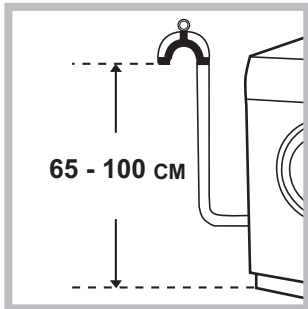
3. Ийкем түтүк оролуп калбаганын жана кысылбаганын текшериңиз.

! Суунун басымы Техникалык мүнөздөмөлөрдүн таблицасында көрсөтүлгөн маанилердин чегинде болушу керек (63-бетти кара).

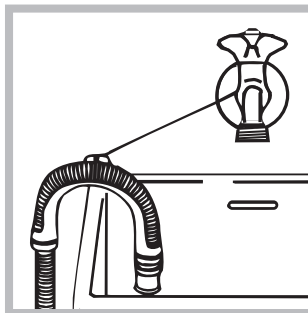
! Эгерде суу түтүк ийкем түтүгүнүн узундугу жетишсиз болсо, Авторлоштурулган тейлөө борборуна кайрылыңыз.

! Эч качан пайдалануудан чыккан ийкем түтүктү пайдаланбаңыз.

Суу төгүүчү ийкем түтүктү туташтыруу



Суу төгүүчү ийкем түтүктү ийбей туруп, полдон 65-100 см бийиктикте жайгашкан суу төгүүчү кубур түтүккө каарта же дубалдагы суу төккүчкө туташтырыңыз,



же ийкем түтүктүн учун кранга багыттагычты бекитип, раковинанын же ваннанын четине илиңиз (схеманы кара). Суу төгүүчү ийкем түтүктүн бош учу сууга салынбашы керек.

! Узартылган ийкем түтүктү колдонуу сунушталбайт. Узартуу зарыл болгондо анын диаметри түп нуска ийкем түтүктүкүндөй болушу керек жана анын узундугу 150 смдан ашпашы керек.

Электр тармагына туташтыруу

Буюмду розеткага туташтыруу алдында төмөндөгүлөрдү текшерүү керек:

- тармактык розетка жердетилип жана нормативдерге ылайык келиши керек;
- тармактык розетка Техникалык дайындар таблицасында көрсөтүлгөн, кир жуугуч машинанын максималдуу кубаттуулугуна эсептелиши керек (капталдагы таблицаны кара.)
- электр азыктандыруунун чыңалуусу Техникалык дайындар таблицасында көрсөтүлгөн, маанилерге шайкеш келиши керек (капталдагы таблицаны кара.)
- тармактык розетка кир жуугуч машинанын штепселдик айрысы менен сыйышуусу керек. Болбосо тармактык розетканы же штепселдик айрыны алмаштыруу керек.

! Кир жуугуч машинаны бастырманын алдына болсо дагы, көчөгө орнотууга болбойт, анткени аны жаандын жана чагылгандын таасирине кабылтуу коркунучтуу болуп саналат.

! Кир жуугуч машина тармактык розеткага жетүү мүмкүндүгү бош болгондой жайгашуусу керек.

! Узарткычтарды жана үчтүктөрдү пайдаланбаңыз.




! Буюмдун тармактык кабели бүгүлбөшү же кысылбашы керек.

! Тармактык кабелди алмаштырууну ыйгарым укуктуу техниктер гана ишке ашыра алышат.

Көңүл буруңуз! Өндүрүүчү компания жогоруда сүрөттөлгөн эрежелерди сактабоо учурунда өзүнөн бардык жоопкерчиликти алат.

Жуунун биринчи циклы

Орнотууну аяктагандан кийин, пайдалануунун алдында кир жуучу порошок менен, бирок кир кийим жок, “АВТОТАЗАЛОО” программасы боюнча кир жуунун бир циклын жүргүзүү керек (“Кир жуугуч машинага кам көрүүнү” кара).

Техникалык маалыматтар	
Модел	RDPD 96407 J
Өндүрүүчү өлкө	Италия
Габариттик өлчөмдөр	туурасы 59,5 см. бийиктиги 85 см. тереңдиги 54 см.
Сыйымдуулугу	Кир жуу циклы үчүн 1ден 9 кг чейин кир Кургатуу циклы үчүн 1ден 6 кг чейин кир
Электр азыктандыруунун чыңалуусунун номиналдык мааниси же чыңалуунун диапазон	220-240 V ~
максималдуу кубаттуулук	1850 W
Электр тогунун түрүнүн шарттуу белгиси же өзгөрмө токту номиналдуу жыштыгы	50 Hz
Электр тогуна урунуудан коргоо классы	I коргоо классы
Суу түтүк туташуусу	максималдуу басым 1 МПа (10 бар) минималдуу басым 0,05 МПа (0,5 бар) барабандын сыйымдуулугу 58 литр
Сыгуунун ылдамдыгы	Мүнөтүнө 1400 айланууга чейин
EN 50229 Директивасына ылайык башкаруу программасы	Кир жуу: 8 программа; температура 60°C; жүктөм 9 кг кир. Кургатуу: жогорку жүктөмдө (6кг) кургатуу “EXTRA”. кургатычтын деңгээлин тандоо менен аткарылышы керек. Калган кийимди кургатуу “EXTRA”: режиминде аткарылышы керек: кирди жүктөөгө 3 шейшеп, 2 жаздык тыш жана 1 сүлгү кирет.
  	Бул буюм Европа Коомдоштугунун төмөндөгү Директиваларына шайкеш келет: - 2004/108/CE (Электр магниттик шайкештик); - 2006/95/CE (Төмөнкү чыңалуу) - 2012/19/EU (WEEE)
Нымдан коргоого ээ болбогон, төмөнкү вольттуу жабдуудан тышкары, коргоочу кабык менен камсыздалуучу, катуу бөлүкчөлөрдүн жана нымдын түшүүсүнөн коргоо деңгээли: IPX4	
Бул техниканы өндүрүү датасын төмөндөгүдөй түрдө, штрих-код астында жайгашкан серия номеринен алууга болот (S/N XXXXXXXXX)	- S/N 1-саны жылдын акыркы санына туура келет, - S/N 2 жана 3-саны – ирет номери боюнча жылдын айына. - S/N 4 жана 5-сандары – күн.
Энергияны керектөө классы	A

Техникалык тейлөө жана кам көрүү

KGZ

Сууну жана электр тогун өчүрүү


• Ар бир жолу кир жуугандан кийин суу түтүк кранын жабыңыз. Мындай жол менен машинанын суу түтүк тутурумун эскириши кыскарат жана агып калуу тобокелдиги азаят.

• Кир жуугуч машинаны тазалоо жана техникалык тейлөө процессинде штепселдик айрыны тармактык розеткадан сууруңуз.

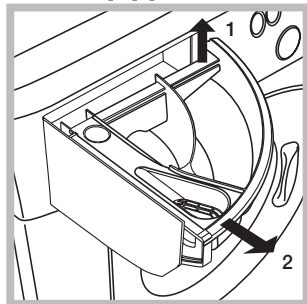
Кир жуугуч машинага кам көрүү

• Кир жуугуч машинанын тышкы жана резина бөлүктөрүн тазалоо үчүн самын менен жылуу сууга нымдалган чүпүрөктү пайдаланыңыз. Эриткичтерди же абразивдик тазалоочу каражаттарды пайдаланбаңыз.

• Кир жуугуч машина ички деталдарын “АВТОТАЗАЛОО” программасы менен себилденген, аны барабанда эч кандай кир жок аткаруу керек. Кир жуугуч машинаны тазалоо үчүн жуугуч затты (абдан кирдеген кийим үчүн сунушталгандын 10% көлөмүндө) же атайын кошулмаларды жуу программасында көмөкчү катары пайдаланууга болот. Машинаны тазалоо программасын ар бир 40 кир жуу циклынан кийин аткаруу сунушталат.

Программаны иштетүү үчүн бир убакта  баскычтарын 5 сек. басыңыз (схеманы кара). Программа автоматтык түрдө иштейт жана болжол менен 70 мүнөткө созулат. Циклды токтотуу үчүн ИШТЕТҮҮ/ТЫНЫГУУ баскычын басыңыз.

Жуугуч каражаттарды бөлүштүргүчкө кам көрүү



Бөлүштүргүчтү эки тарабынан басып жана сыртка тартып, чыгарыңыз (схеманы кара). Бөлүштүргүчтү жылуу суу менен жууңуз. Бул операция үзгүлтүксүз аткарылышы керек.

Люкка жана барабанга кам көрүү

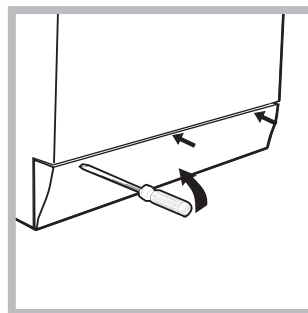
• Кир жуугуч машинаны пайдалангандан кийин барабанда жагымсыз жыттардын пайда болуусунан алыс болуу үчүн люкту жарым ачык калтыруу керек.

Соркыскычка кам көрүү

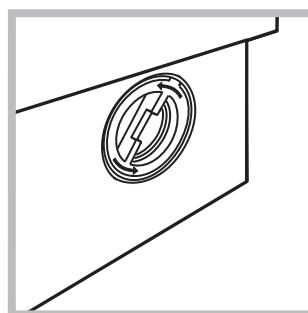
Кир жуугуч машина техникалык тейлөөгө муктаж болбогон, өзүн өзү тазалоочу соркыскыч менен жабдылган. Ошентсе дагы майда предметтер тыйын, топчу) төмөнкү бөлүгүндө жайгашкан, соркыскычты сактоочу каптоочко түшүп кетиши мүмкүн.

! Кир жуу циклы аяктаганын текшериниз жана штепселдик айрыны тармактык розеткадан сууруңуз.

Каптоочко жетүү үчүн:



1. кир жуугуч машинанын алдыңкы панелин бурагычтын жардамы менен алыңыз (схеманы кара);



2. капкакты саат жебесине каршы бурап, аны ачыңыз (схеманы кара): бир аз суунун агышы нормалдуу көрүнүш болуп саналат;

3. каптоочтун ичин жакшылап тазалаңыз;
4. капкакты ордуна бураңыз;
5. алдыңкы панелди машинага бекитүү алдында илмектери тийиштүү илгичтерге киргенин текшерип, аны ордуна орнотуңуз.

Суу түтүк ийкем түтүгүн текшерүү

Жылына бир жолудан көп эмес суу берүү ийкем түтүгүн текшериниз. Ийкем түтүктүн жараңкаларын же айрылууларын аныктаганда аны алмаштырыңыз: кир жуу процессинде суу түтүгүндөгү катуу басым ийкем түтүктүн капилет ажырап калуусуна алып келиши мүмкүн.

! Эч качан таңгагы жок ийкем түтүктөрдү пайдаланбаңыз.

! Кир жуугуч машина коопсуздук боюнча эл аралык нормативдерге ылайык долбоорлонгон жана даярдалган. Сиздин коопсуздугуңуз максатында түзүлгөн ушул эскертүүлөрдү көңүл коюп окуу керек.

Коопсуздукка карата жалпы талаптар

- Бул шайман үйдө колдонууга гана арналган.
- Бул шайманды 8 жаштагы жана андан улуу балдар, ошондой эле дене-боюндагы, сенсордук же менталдык мүмкүнчүлүктөрү чектелүү кишилер же тажрыйбасы же билими жетишпегендер шайманды коопсуз колдонуу тууралуу көзөмөл же үйрөтүү менен жана анын коркунучтарын билгенде урунса болот. Балдар бул шайман менен ойнобосун. Балдар көзөмөлсүз аны тазалап же тейлебеш керек.
 - Жуулбаган буюмдарды тоңгочук кургаткычта кургатпаңыз.
 - Тамак жасаган май, алкоголь, бензин, керосин, так кетиргич, скипидар, мом жана мом кетиргичтер сыяктуу заттар менен булганган буюмдарды тоңгочук кургаткычта кургатардан мурда ысык сууда детергенттин кошумча өлчөмү менен жууш керек.
 - көбүктүү резина (латекс көбүгү), чайынма топусу, суу өткөрбөгөн текстиль, резина менен ичтелген нерселер жана кийим же көбүктүү резина менен толтурулган ичтүү жаздыктарды тоңгочук кургаткычта кургатпаш керек.
 - Кездеме жумшарткыч же ошол сыяктуу өнүмдөр кездеме жумшарткычтын нускамасында көрсөтүлгөндөй колдонулушу керек.
 - Буюмдар зыянга учурабагашын камсыз кылган температурада чыгарылышын мүмкүн кылуу үчүн тоңгочук кургаткыч циклинин акыркы бөлүгү ысытуусуз болот (суутуу цикли).
- ЭСКЕРТҮҮ: Ысык тарап кетиши үчүн буюмдар бат алып чыгылып, жайылбаса, эч качан тоңгочук кургаткычты кургатуу цикли аяктай элекке токтотпоңуз.
- Жылаңайлак жүрсөңүз же колуңуз же бутуңуз суу болсо, эч качан шайманга тийбеңиз.
- Шайманды электр ажырымынан сууруп жатканда эч качан кубет жеткирүү кабелинен тартпаңыз. Айрыны кармап тартыңыз.
- Шайман иштеп жатканда детергент диспенсеринин суурмасын ачпаңыз.
- Агынды суу өтө жогорку температураларга жетиши мүмкүн болгондуктан, ага тийбеңиз.
- Тегерек эшикти эч качан күчкө салбаңыз. Бул кокустан ачылып кетүүгө жол бербегенге арналган коопсуздук кулпу механизмине доо келтириши мүмкүн.
- Шайман бузулуп калса, эч бир учурда аны өзүм оңдойм деп анын ички механизмдерине тийбеңиз.
- Шайман иштеп жатканда балдарды ага жетпегендей алыс кармаңыз.
- Жуу цикли учурунда эшик абдан ысык болушу мүмкүн.
- Шайманды жылдырыш керек болсо, эки же үч киши чогулуп, аны болушунча этияттап көтөрүлө. Аны эч качан жалгыз жасайм деп аракет кылбаңыз, себеби шайман өтө оор.
- Жуулчу кирди жуугуч-кургаткычтын ичине салардан мурда тегеренме көндөй бош экенин текшерип.
- Кургатуу фазасында эшик кыйла ысууга дуушар болот.
- Шайманды бат тутанма эриткичтер (мис., трихлорэтилен) менен жуулган кийимдерди кургатканга колдонбоңуз.
- Шайманды көбүктүү резина же ошол сыяктуу эластомерлерди кургатканга колдонбоңуз.
- Кургатуу циклдер учурунда суу краны ачык экенин текшерип.
- 3 жашка чыга элек балдарды же шаймандан алыс кармап, же көз алдынан чыгарбаш керек.
- Чөнтөктөрдөн жарык кылгыч жана ширеңке сыяктуу нерселердин баарын чыгарыңыз.

Утилизациялоо

- Таңгактоо материалдарын жок кылуу: таңгактоо материалдарын кайталап пайдалануу максатында жергиликтүү нормативдерди сактаңыз.

• Электрондук жана электр приборлорду утилизациялоого тиешелүү 2012/19/eU Европа Директивасына ылайык, электр приборлорду кадимки шаар таштандысы менен чогуу ыргытылбашы керек. Иштебей калган приборлор аларды утилизациялоону жана алардын курамдык материалдарынын рекуперациясын оптималдаштыруу үчүн, ошондой эле курчап турган чөйрөнүн жана ден соолуктун коопсуздугу үчүн өзүнчө топтолушу керек. Бардык приборлордо боло турган “чийилген таштанды челегинин” символу аларды өзүнчө утилизациялоо жөнүндө эскерткич катары кызмат кылат. Тиричилик электр приборлорун туура утилизациялоо жөнүндө кеңири маалымат алуу үчүн пайдалануучулар атайын мамлекеттик уюмга же дүкөнгө кайрыла алышат.

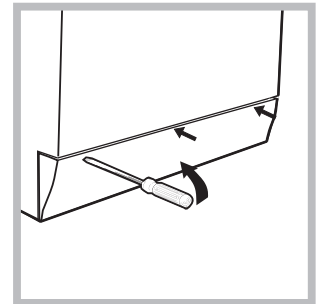
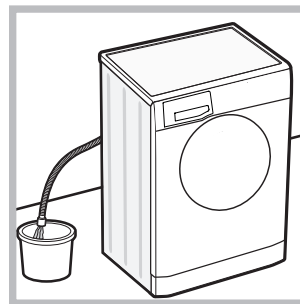
Сактоо жана ташуу шарттары

• Таңгакталган кир жуугуч машинаны табигый желдетүүсү бар жабык жайларда 80%дан көп эмес салыштырмалуу нымдуулукта сактоо керек. Эгерде машина узак убакыт пайдаланылбаса жана жылытылбаган жайда сактала турган болсо, машинаны суудан толук өчүрүү керек. Машинаны ташуу алдында кир жуугуч машинанын багынын бузулушуна жол бербөө үчүн, тыгыны менен транспорттук бурмаларды орнотуу керек. Машинаны жабык машинанын бардык түрү менен, аны бекем бекитип жумушчу абалында (вертикалдуу) ташуу керек. Кир жуугуч машинаны жүктөө-түшүрүү иштеринде урунууга кабылтууга ТЫЮУ САЛЫНАТ.

Люкту авариялык ачуу

Эгерде электр энергиясын өчүрүү себебинен улам машинанын люгун ачуу мүмкүн болбосо, таза кирди чыгаруу үчүн төмөндөгүдөй аракет кылыңыз.

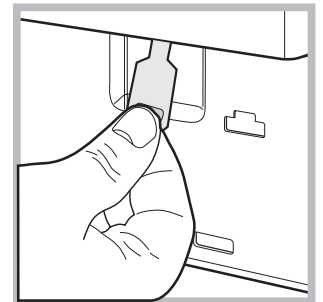
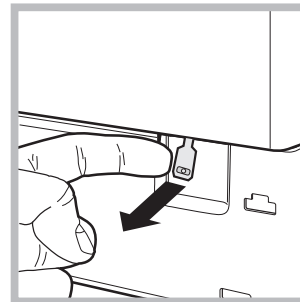
1. машинанын штепселдик айрысын тармактык розеткадан сууруңуз.



2. машинадагы суунун деңгээли люктун тешигинен төмөн экенин текшерип.

Болбосо схемада көрсөтүлгөндөй, суу төгүү түтүгү аркылуу ашыкча сууну чакага куюңуз.

3. кир жуугуч машинанын алдыңкы панелин чыгарыңыз (схеманы кара.)



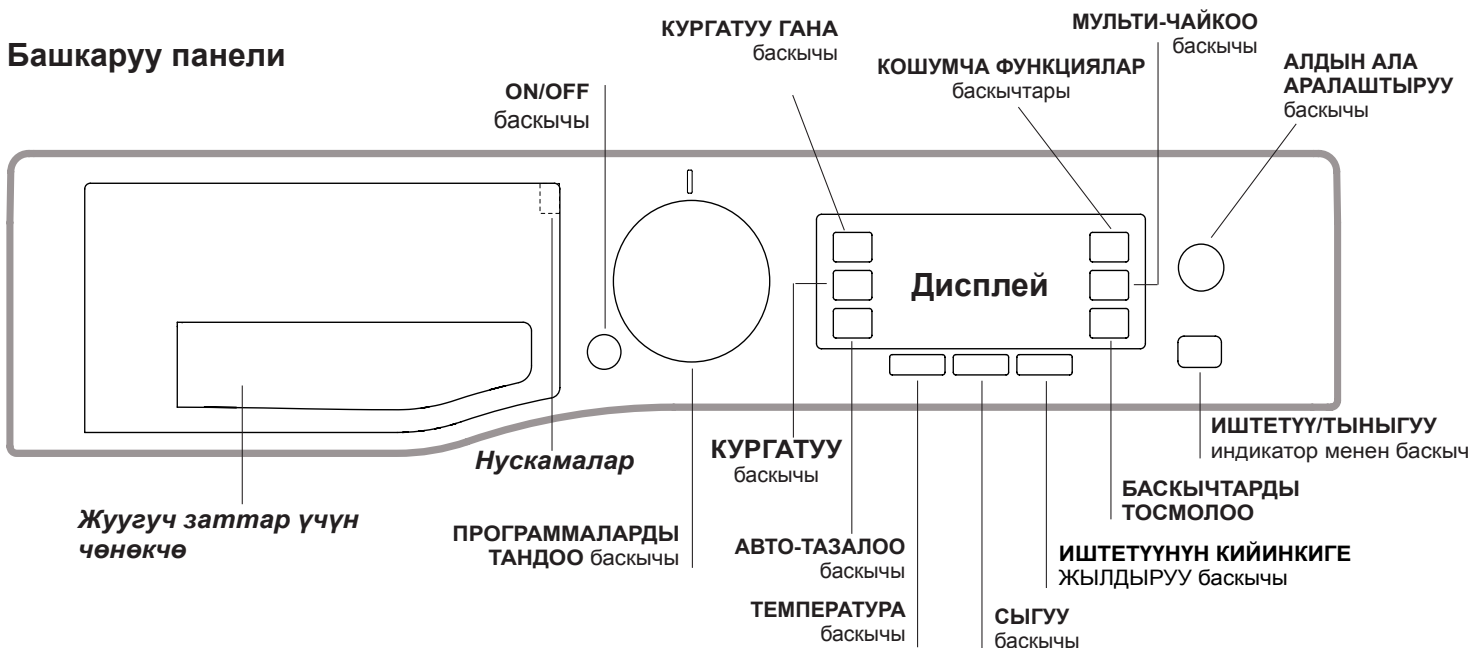
4. схемада көрсөтүлгөн тышындагы тилчесин пластик тосмолоо бурмасына чейин тартыңыз. Андан кийин аны ылдый тартыңыз жана ошол эле убакта люкту ачыңыз.

5. алдыңкы панелди машинага бекитүүнүн алдында илмектери тийиштүү илгичтерге киргенин текшерип, аны ордуна орнотуңуз.

Кир жуугуч машинаны сүрөттөө


KGZ

Башкаруу панели



Жуугуч заттар үчүн чөнөкчөлөр: жуугуч заттарды жана кошумчаларды жүктөө үчүн (“Жуугуч заттар жана кир кийимдин түрлөрү” кара.).

Нускамалар: жуугуч каражаттардын дозаторунун ичинде бардык программалар үчүн нускамалар, ошондой эле дозатордун айрым чөнөкчөлөрүн пайдалануу боюнча графикалык нускамалар бар.


ON/OFF баскычы : машинаны күйгүзүү же өчүрүү үчүн бул баскычты тез басыңыз. Сейрек жашыл түс менен бүлбүлдөгөн, ИШТЕТҮҮ/ТЫНЫГУУ индикатору машина күйгүзүлгөнүн түшүндүрөт. Кир жуу процессинде кир жуугуч машинаны өчүрүү үчүн баскычты болжол менен 3 секунд басып кармап туруу керек. Кыска же капасынан басып алуу машинаны өчүрүүгө алып келбейт. Машинаны кир жуу процессинде өчүрүү учурунда учурдагы цикл токтотулат.


ПРОГРАММАЛАРДЫ ТАНДОО баскычы: керектүү программаны тандоо үчүн кызмат кылат (“Программалардын таблицасын” кара.).


КОШУМЧА ФУНКЦИЯЛАР баскычы: кошумча функцияларды тандоо үчүн кызмат кылат. Дисплейде тийиштүү индикатор күйөт.


АВТО-ТАЗАЛОО баскычы: машинанын ички бөлүктөрүн тазалоону ишке ашыруу үчүн басыңыз (“Кир жуугуч машинага кам көрүүнү” кара.).


АЛДЫН АЛА АРАЛАШТЫРУУ баскычы: АЛДЫН АЛА АРАЛАШТЫРУУ функциясын тандоону шарттайт.


МУЛЬТИ-ЧАЙКОО баскычы : чайкоонун керектүү режимин тандоо үчүн басуу керек.


СЫГУУ баскычы : сыгуунун ылдамдыгын кыскартуу же толук жокко чыгаруу үчүн бул баскычты басыңыз – мааниси дисплейде көрсөтүлөт.


ТЕМПЕРАТУРА баскычы : температуранын маанисин азайтуу үчүн бул баскычты басыңыз: мааниси дисплейге чыгарылат.

КУРГАТУУ баскычы : кургатуунун узактыгын кыскартуу же жокко чыгаруу үчүн басыңыз; тандалган режим жана кургатуунун узактыгы дисплейде көрсөтүлөт.

КУРГАТУУ ГАНА баскычы : кургатуу циклин гана иштетүү үчүн басыңыз.

БАСКЫЧТАРДЫ ТОСМОЛОО : башкаруу консолун тосмолоону күйгүзүү үчүн баскычты болжол менен 2 секунд аралыгында басып кармап туруңуз. Дисплейде “KEY LOCK ON” (БАСКЫЧТАРДЫ ТОСМОЛОО КҮЙГҮЗҮЛДҮ) жазуусунун чагылдырылышы башкаруу панели тосмолонгонун түшүндүрөт (ON/OFF баскычынан тышкары). Мындай жол менен программа капатынан, өзгөчө үйдө балдар болгондо өзгөртүлүшү мүмкүн эмес. Башкаруу консолун тосмолоону өчүрүү үчүн баскычты болжол менен 2 секунд аралыгында басып кармап туруңуз.

ИШТЕТҮҮНҮН КИЙИНКИГЕ КАЛТЫРУУ баскычы : тандалган программаны иштетүүнү кармоо убактысын программалоо үчүн бул баскычты басыңыз. Кармоо убактысы дисплейде көрсөтүлөт.

ИШТЕТҮҮ/ТЫНЫГУУ индикатор менен баскыч: жашыл индикатор сейрек бүлбүлдөгөндө, кир жуу циклин иштетүү үчүн баскычты басыңыз. Циклды иштеткенден кийин индикатор бүлбүлдөбөй калат. Кир жууну токтотуу үчүн кайрадан бул баскычты басыңыз; индикатор кызгыл сары түс менен күйөт. Эгерде  символу күйбөсө, машинанын люгун ачууга болот. Кир жууну ал токтотулган учурдан тартып улантуу үчүн, кайрадан бул баскычты басыңыз.

Күтүү режими

Бул кир жуугуч машина электр энергиясын үнөмдөө боюнча жаңы нормативдердин талаптарына жооп берет, машина 30 мүнөт тургандан кийин күйө турган, автоматтык түрдө өчүү тутуму (энергияны сактоо режими) менен себилденген. ON/OFF баскычын бир жолу басыңыз жана машина кайра күйгөнчө күтө туруңуз.
Өчүк абалда сарптоо: 0,5 Вт
Калтырып койгондо сарптоо: 8 Вт

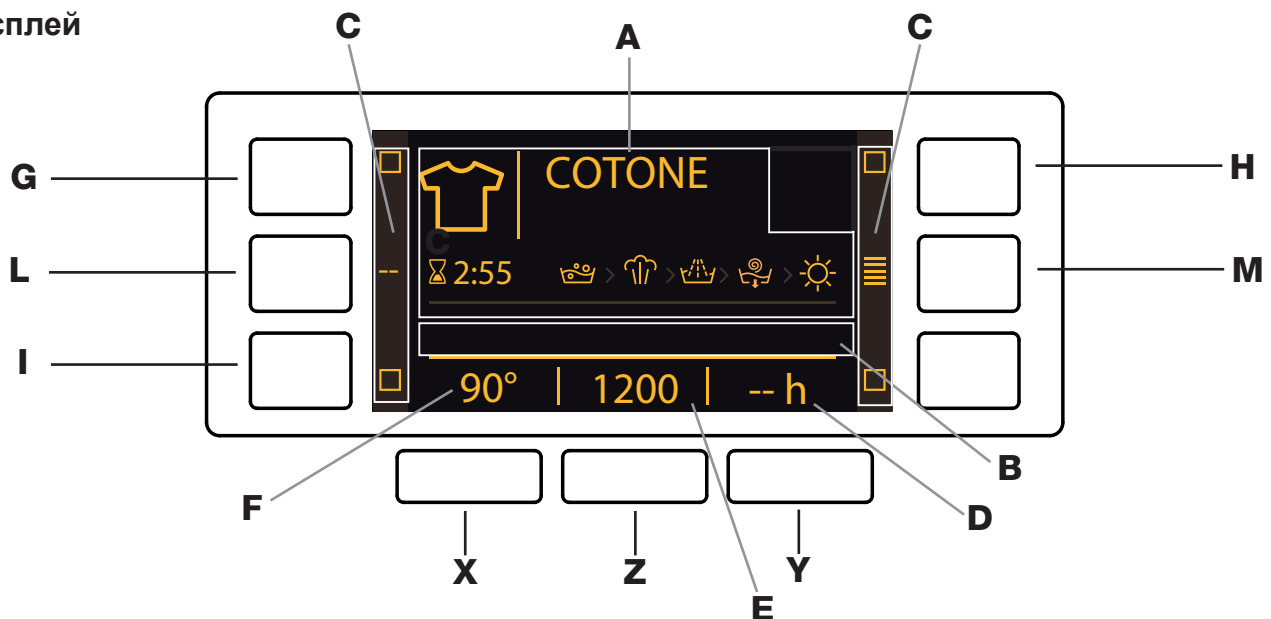
Микробго каршы тыгыздоо

Люктун тыгыздагычы бактериялардын көбөйүүсүн 99,99%га кыскартуу менен, антимикробдук коргоону камсыздаган атайын аралашмадан даярдалган. Люктун тыгыздагычы тактардын, жагымсыз жыттардын пайда болушуна жана буюмдун бузулушуна алып келе турган, бактерия жана көк дат сыяктуу зыяндуу микробдордун (*) көбөйүүсүн кыскартуучу Zinc pyrithione, пестициддик затты камтыйт.

(*) *Перуджи Университетинде өткөрүлгөн тесттерге ылайык: Staphylococcus aureus, Escherichia coli, Pseudomonas aeruginosa, Candida albicans, Aspergillus niger, Penicillium digitatum.*

Сейрек учурларда тыгыздагыч менен узак байланышуу тери аллергиясын пайда кылышы мүмкүн.

Дисплей



Дисплей машинаны программалоо үчүн кызмат кылат жана пайдалануучуга көптөгөн маалыматтарды берет.

A аймагында булар пайда болот: сүрөтчө жана программа тандалган, жуу жана кургатуу баскычтары жана цикл аяктаганча калган убакыт.

B тарабында интенсивдүүлүктүн эки деңгээли, тийиштүү **АЛДЫН АЛА АРАЛАШТЫРУУ** опциялары көрүнөт.

C тарабында жеткиликтүү функцияларга ылайык келүүчү жарык индикаторлору жайгашкан.

D сабында эгерде **КИЙИНКИГЕ КАЛТЫРЫЛГАН ИШТЕТҮҮ** тапшырылса, тандалган программаны иштетүүгө чейинки убакыт көрсөтүлөт.

E сабында машина тандалган программага жараша аткара ала турган, сыгуу ылдамдыгынын максималдуу мааниси көрсөтүлөт. Эгерде программа центрифуганы активдештирүүнү карабаса, панелде күңүрт түс менен “- -” символу чагылдырылат.

F сабында тандалган программага жараша тандоого боло турган температуранын максималдуу мааниси көрсөтүлөт; эгерде тандалган программа температураны тескөөнү карабаса, панелде күңүрт түс менен “- -” символу чагылдырылат.

Тосмолонгон люк символу

Күйгөн символ люкту тосмолоону түшүндүрөт. Люкту ачуунун алдында бузулуулардан алыс болуу үчүн, символ өчкөнгө чейин күтө туруу керек. **ЭСКЕРТҮҮ:** Эгерде **КИЙИНКИГЕ КАЛТЫРЫЛГАН ИШТЕТҮҮ** функциясы күйгүзүлсө, люкту ачууга болбойт. Бул үчүн машинаны **ИШТЕТҮҮ/ТЫНЫГУУ** баскычынын жардамы менен тыныгуу режимине которуу керек.

! Машинаны биринчи жолу күйгүзүүдө тилди тандоо талап кылынат жана дисплей автоматтык түрдө тилди тандоо менюсунун бетин көрсөтөт.

Керектүү тилди тандоо үчүн **X** жана **Y** баскычтарын басыңыз, тандоону ырастоо үчүн **Z** баскычын басыңыз. Эгерде тилди алмаштыруу талап кылынса, машинаны өчүрүңүз, **G**, **H**, **I** баскычтарын бир убакта басыңыз үн сигналына чейин күтө туруңуз, тилди тандоо менюсү ачылат.

! Эгерде сиз алдын ала белгилөө боюнча жогорку деңгээлде орнотулган дисплейдин жарыктандыруу интенсивдүүлүгүн өзгөртүүнү кааласаңыз, машинаны өчүрүңүз, бир убакта **G**, **L**, **M** баскычтарын үн сигналына чейин басыңыз. Ачыктыктын каалаган деңгээлин тандоо үчүн **X** жана **Y** баскычтарын басыңыз, тандоону ырастоо үчүн **Z** баскычын басыңыз.

! Эгерде кир жуу циклы же тапшырылган **КИЙИНКИГЕ КАЛТЫРЫЛГАН ИШТЕТҮҮ** убагында дисплей тарабынан 1 мүнөт аралыгында эч кандай аракеттер аткарылбаса, “**ЭКРАН САКТАГЫЧЫ**” функциясы активдеште. Дисплейдин мурдагы терезесине кайтуу үчүн каалаган баскычты басуу жетиштүү.

Жуу циклин же кургатуу циклин кантип иштетиш керек

KGZ

- 1. МАШИНАНЫ КҮЙГҮЗҮҮ ТАРТИБИ** ☹️, баскычын басыңыз; ИШТЕТҮҮ/ТЫНЫГУУ индикатору сейрек жашыл түс менен бүлбүлдөйт.
- 2. КИРДИ ЖҮКТӨӨ.** Машинанын люгун ачыңыз. Кийинки беттеги программалардын таблицасында көрсөтүлгөн, максималдуу уруксат берилген салмактан ашырбай, барабанга кир кийимди жүктөнүз.
- 3. ЖУУГУЧ ЗАТТАРДЫ ДОЗАЛОО.** Дозаторду чыгарыңыз жана “Жуугуч заттар жана кирдин түрлөрү” бөлүмүндө сүрөттөлгөндөй, жуугуч каражатты атайын чөчөкчөлөргө салыңыз.
- 4. ЛЮКТУ ЖАБЫҢЫЗ.**
- 5. ПРОГРАММАНЫ ТАНДОО.** Керектүү программаны тандоо үчүн ПРОГРАММАЛАРДЫ ТАНДОО баскычтарынын бирин басыңыз. Программанын аталышы дисплейде пайда болот. Программа менен бирге өзгөртүлүшү мүмкүн болгон, температура жана сыгуу ылдамдыгы көрсөтүлөт. Дисплейде бул циклдын узактыгы көрсөтүлөт.
- 6. КИР ЖУУ ЦИКЛЫН ПЕРСОНАЛДАШТИРУУ.** Тийиштүү баскычтарды басыңыз:
емператураны жана/же сыгуу ылдамдыгын өзгөртүү тартиби. Машина автоматтык түрдө тандалган программа үчүн каралган максималдуу температураны жана сыгуу ылдамдыгын белгилейт, бул маанилер көбөйтүлүшү мүмкүн эмес! Баскычынын жардамы менен температураны муздак сууда жууганга чейин акырындык менен азайтууга болот (Дисплейде “--” символу күйөт) ☺️ баскычынын жардамы менен сыгуу ылдамдыгын аны жокко чыгарууга чейин акырындык менен азайтууга болот (Дисплейде “--” символу күйөт). Бул баскычтарга дагы бир жолу басууда максималдуу уруксат берилген маанилер кайтып келет.
! Артыкчылык: 5-программаны тандоодо температура 40° чейин көбөйтүлүшү мүмкүн.
! Артыкчылык: 7-программаны тандоодо температура 90° чейин көбөйтүлүшү мүмкүн.
! Артыкчылык: 9-программаны тандоодо температура 60° чейин көбөйтүлүшү мүмкүн.

Иштетүүнү кармоону программалоо.

Тандалган программаны иштетүүнү кармоону программалоо үчүн кармоонун керектүү маанисин алганга чейин тийиштүү баскычты басыңыз. Иштетүүнү кармоону токтотуу үчүн баскычты дисплейде “-- h” жазуусу пайда болгонго чейин басыңыз.

Кургатуу циклин койуу.

Каалаган кургатуу циклин КУРГАТУУ топчусун ☀️ бир же бир нече жолу басуу менен койсо болот. Эки тандоо мүмкүн:

A - Кийим кургатылгандан кийин ал канчалык ным болгонуна негизделген:

Үткү: жуугандан кийин үтүктөгө муктаж кийимге ылайыктуу. калган нымдуулук бырыштарды жумшартып, кетириүүгө оңой кылат.

Илгич: толук кургатууга муктаж эмес кийимге жарайт.

Шкаф: үтүктөбөй эле шкафка салса боло турган буюмдарга ылайыктуу.

Экстра: спонж же махер халат сыяктуу толук кургатууну талап кылган кийимге ылайыктуу.

B - Убакыт аралыгына негизделген: **30 - 180** мүнөт ортосу.

Кургатуу баскычын кошпоо үчүн тиешелүү топчуну дисплейде OFF чыкканча басыңыз.

Жууп-кургатчу кириңиз жол берилген максималдуу жүктөн кыйла көп болсо, жуу циклин аткарып туруп, ал аяктаганда кийимдерди топ-топ кылып бөлүп, айрымдарын кайра көңдөйгө салыңыз. Бул жерде “**Кургатуу гана**” цикли үчүн берилген нускамаларды аткарыңыз. Жүктүн акырына чейин бул процедураны кайталаңыз. Ар бир кургатуу циклинин аягына ар дайым суутуу убактысы кошулат.

Кургатуу гана

Кургатууну гана аткаруу үчүн ☀️ баскычын басыңыз. Кийимдин түрүнө ылайык келген керектүү программаны тандап ☀️ баскычын басууда кр жуу жокко чыгарылат жана тандалган программа менен каралган максималдуу деңгээлде кургатуу активдешет. ☀️ баскычынын жардамы менен убакыт боюнча же нымдуулук деңгээли

боюнча кургатууну өзгөртүүгө же тапшырууга болот (1-2-3-4 жана 14-программалар менен шайкеш келбейт).

Кантип чайкоо режимин тапшырууга болот.

Кошумча ☺️ функция сезгич тери үчүн чайкоонун керектүү режимин тандоону шарттайт. Баскычты биринчи жолу басууда “Extra +1” (Кошумча чайкоо +1) режими тапшырылат, ал жуугуч заттын калдыктарын кетириүү үчүн, чайкоонун стандарттуу циклынан тышкары кошумча чайкоону тандоону шарттайт. Баскычты басууга жараша чайкоонун стандарттуу циклынан тышкары чайкоонун кошумча режимин тандоону шарттаган, “Extra + 2” (Кошумча чайкоо+2) режими тапшырылат, бул сезгич тери үчүн сунушталат. Баскычты үчүнчү жолу басууда стандарттуу циклдын чайкоосуна кошумча 3 чайкоону тандоону шарттаган. “Extra +3” (Кошумча чайкоо+ 3) режими тапшырылат. Эгерде бул кошумча функция 40°С температурасы менен программаларда активдешсе, ал мышыктын жана иттин жүнү жана чаң сыяктуу негизги аллергияларды кетириүүнү шарттайт, 40°Стан жогору температурадагы программаларда аллергиялардан коргоонун мыкты деңгээлине жетишилет. “Normal rinse” (Жөнөкөй чайкоо) режимине кайтуу үчүн баскычты кайра басыңыз. Эгерде бул тескөөнү тапшыруу же өзгөртүү мүмкүн эмес болсо, дисплейде “No Selection” (ТАНДАЛГАН ЭМЕС) же “No Change” (ӨЗГӨРҮҮСҮЗ) чагылдырылат.

Циклдын параметрлерин өзгөртүү.

- Функцияны күйгүзүү үчүн баскычты басыңыз; Дисплейде тийиштүү жарык индикатору күйөт.
- Функцияны өчүрүү үчүн баскычты кайра басыңыз; Дисплейде тийиштүү жарык индикатору өчөт.

! Эгерде тандалган функция тапшырылган программа менен шайкеш келбесе, күнүрт түс менен тийиштүү жарык индикатору бүлбүлдөйт, мындан тышкары мындай шайкеш келбестик жөнүндө үн сигналы (3 сигнал) эскертет, ал эми дисплейде “No Selection” (ТАНДАЛГАН ЭМЕС) жазуусу пайда болот.

! Эгерде тандалган функция башка, мурда тапшырылган кошумча функция менен шайкеш келбей турган болуп саналса, дисплейде “No Selection” (ТАНДАЛГАН ЭМЕС) жазуусу пайда болот, функцияны активдештирүү мүмкүн болбойт.

! Кошумча функциялар машинанын сунушталган жүктөмүн жана/же циклдын узактыгын өзгөртө алат.

- 7. ПРОГРАММАНЫ ИШТЕТҮҮ. ИШТЕТҮҮ/ТЫНЫГУУ** баскычын басыңыз: Тийиштүү индикатор жашыл түс менен күйөт жана люк тосмолоодон чыгарылат (ЛЮК ТОСМОЛОНДУ ☐ символу күйөт). Циклды аткаруу процессинде программаны өзгөртүү үчүн машинаны ИШТЕТҮҮ/ТЫНЫГУУ баскычынын жардамы менен тыныгуу режимине которуңуз (ИШТЕТҮҮ/ТЫНЫГУУ баскычы кызгылт сары түс менен сейрек бүлбүлдөйт). Андан кийин жаңы циклды тандаңыз жана кайрадан ИШТЕТҮҮ/ТЫНЫГУУ баскычын басыңыз. Эгерде циклды иштеткенден кийин люкту ачуу талап кылынса, ИШТЕТҮҮ/ТЫНЫГУУ баскычын басыңыз. ЛЮК ТОСМОЛОНДУ ☐ индикатору өчкөндөн кийин люкту ачууга болот. Программаны ал токтотулган учурдан тартып улантуу үчүн кайрадан ИШТЕТҮҮ/ТЫНЫГУУ баскычын басыңыз.
- 8. ПРОГРАММАНЫ АЯКТОО.** Дисплейде «ЦИКЛДЫН АЯГЫ» билдирүүсү менен көрсөтүлөт. ЛЮК ТОСМОЛОНДУ ☐ символу өчүрүлгөндөн кийин, люкту ачууга болот. Люкту ачыңыз, кирди алыңыз жана машинаны өчүрүңүз.

! Иштетилген циклды токтотуу талап кылынса, ☹️ баскычын бир нече секунд басып кармап туруңуз. Цикл токтойт жана машина өчөт.

Direct Injection технологиясы





Кир жуугуч машина «Direct Injection» алдын ала аралаштыруу жаңы технологиясы менен жабдылган, ал кир жуунун биринчи мүнөтүнөн тартып сууну жуугуч каражат менен аралаштырат, аны активдүү мусска айландырат жана анын тазалоочу касиеттерин көз ирмемде активдештирет. Активдүү мусс кир жуугуч машинанын барабанына берилет жана төмөнкү температурада сиңип калган кирлерди кетириүү менен, кездеменин буласына натыйжалуу кирет, мында кездемени жана анын түсүн сактайт. “Power” (НАТЫЙЖАЛУУЛУК) режими кир жуунун жакшы кыйынтыгына жетүү үчүн, “Eco Energy” (ЭНЕРГИЯНЫ ҮНӨМДӨӨ) режими электр энергиясын керектөөнү төмөндөтүү үчүн жарайт.


Программалар жана кошумча функциялар

Hotpoint

ARISTON

Программалардын таблицасы

Жуу циклдери	Жуу циклинин сүрөттөлүшү	Макс. темп. (°C)	Макс. Ылдамдык (айлануу/мүн)	Кургатуу	Детергенттер		Макс. жүк (кг)	Циклдин узактыгы	
					Жуу	Кездеме жумшарткыч			
ANTI CREASE									
1	Күнүмдүк аралаш Жуу-Кургатуу	40°	800	●	●	●	3	Жуу циклинин узактыгын дисплейден текшерсе болот.	
2	Көйнөк-футболка	40°	1000	●	●	●	2		
3	Үтүктөө алдында	-	-	-	-	-	1,5		
4	Буу менен сергитүү	-	-	-	-	-	2		
DAILY CLEAN									
5	Такка каршы Турбо 45'	20° (Макс. 40°C)	1200	●	●	●	4		
6	Такка каршы Кубат 20°C	40°	1400	●	●	●	9		
7	Пахта: жеңил кирдеген туруктуу жана назик өңдүү кийим.	40° (Макс. 90°C)	1400	●	●	●	9		
8	Эко Пахта  (1-2): катуу кирдеген ак жана туруктуу өңдүү кийим.	60°	1400	●	●	●	9		
9	Синтетика (3): жеңил кирдеген туруктуу өңдүү кийим.	40° (Макс. 60°C)	1000	●	●	●	4,5		
SPECIALS									
10	Мульти Өң	40°	1400	●	●	●	9		
11	Ультра Назик	30°	--	●	●	●	1		
12	Жүн: жүн, кашемир ж.у.с. үчүн	40°	800	●	●	●	2		
13	Спорт	40°	600	●	●	●	4		
14	Бат 30' (**): жеңил кирдеген кийимди бат сергитүү үчүн (жүн, жибек жана колго жууну талап кылган кийимдерге жарабайт).	30°	800	●	●	●	3,5		
Жарым-жартылай программалар									
	Чайкоо	-	1400	●	-	●	9		
	Тегеренүү + Түртүү	-	1400	●	-	-	9		
	Түртүү гана *	-	--	-	-	-	9		

* Программа тандап,  тегеренүү циклин алып салсаңыз, шайман сууну гана агызат.

** Кургатуу цикли да программага коюлса, шайман максималдуу тегеренүү ылдамдыгы жана 1кг кир жүгү менен 45' узактыктагы "жуу+кургатуу" программасын коюйт.

Дисплейде же бул буклетте көрсөтүлгөн цикл узундугу - болжолдуу гана жана стандарттуу иштөө шарттарын эске алып саналган. Иш жүзүндөгү узактык суу температурасы жана басымы, колдонулган детергент өлчөмү, салынган кирдин өлчөмү жана тиби, жүктүн тең салмактанышы жана тандалган кайсы болбосун жуу тандоолору сыяктуу факторлорго жараша айырмаланат.


- 1) Жуу циклин EN 50229 регламентине ылайык текшерип: 60°C температурасы менен 8-жуу циклин коюңуз.
- 2) Пахта үчүн узун жуу цикли: 40°C температурада 8-программаны коюп, "Power" (НАТЫЙЖАЛУУЛУК) абалындагы DIRECT INJECTION/TÜZ КИЙУУ топчусун басыңыз.
- 3) Синтетика үчүн узун жуу цикли: 40°C температура менен 9-жуу циклин коюңуз.

Кир жуу функциялары

! Эгерде тандалган функция тапшырылган программа менен шайкеш келбесе, күңүрт түс менен тийиштүү жарык индикатору бүлбүлдөйт, мындан тышкары мындай шайкеш келбестик жөнүндө үн сигналы (3 сигнал) эскертет, ал эми дисплейде "No Selection" (ТАНДАЛГАН ЭМЕС) жазуусу пайда болот.

! Эгерде тандалган функция башка, мурда тапшырылган кошумча функция менен шайкеш келбей турган болуп саналса, дисплейде "No Selection" (ТАНДАЛГАН ЭМЕС) жазуусу пайда болот, функцияны активдештирүү мүмкүн болбойт.

Буу Гигиенасы

Бул тандоо ошол эле учурда иштетип булалардан кандай болбосун бактерияларды кетирүү үчүн жуу цикли учурунда буу чыгаруу менен жуунун өндүрүмдүүлүгүн жакшыртат. Жуулчу кирди тоголок көңдөйгө салып, шайкеш программаны тандаңыз да, тандоону ылгаңыз .

! Кир жуугуч иштеп жатканда пайда болгон буу тегерек эшик мунарыктап калышына алып келиши мүмкүн.

KGZ

Жуугуч заттар жана кирдин түрлөрү

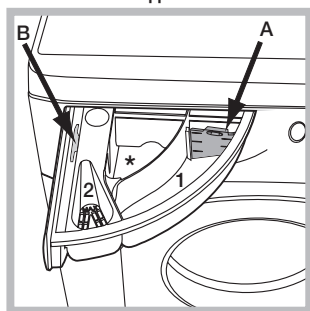
KGZ

Детергент диспенсеринин суурмасы

Жуугандын жакшы натыйжа бериши детергенттин туура дозасына да көз каранды: детергентти өтө көп кошуу сөзсүз жакшыраак жууганга алып келбейт, ал эмес шайманыңыздын ичинде кебээр топтолушуна алып келиши мүмкүн жана жаратылыштын булганышына салым кошот.

! Ак пахта кийим, алдын ала чылоо жана 60°C-ден ашык температурада жуу үчүн күлмайда детергент колдонуңуз. Детергенттин таңгагында берилген нускамаларды аткарыңыз.

! Колго жуу детергенттерин колдонбоңуз, себеби алар ашыкча көбүрөт.



Детергент диспенсеринин суурмасын ачып, детергент же жууганга кошулманы ылдыйкыдай салыңыз.

! Ортоңку бөлүккө детергент салбаңыз (*).

1-бөлүм: Жуу цикли үчүн детергент (күлмайда же суюк)
Суюк детергент

колдонулса, туура дозалоо үчүн (таңгактагы) алып салма пластик **A** ченегичин колдонуу сунушталат. Күлмайда детергентин колдонсоңуз, ченегичти **B** көзөнөгүнө коюңуз.

2-бөлүм: Кошулмалар (кездеме жумшарткычтар ж.у.с.)
Кездеме жумшарткыч тордон ашпашы керек.

Жуулчу кирди даярдоо

- Жуулчу кирди буларга карай бөлүңүз:
 - кездеме тиб/энбелгидеги символ
 - өндөр: гүлдүү кийимдерди актардан ажыратыңыз.
- Кийимдердин чөнтөктөрүнүн баарын бошотуп, топчуларын текшерчиңиз.
- Жуулчу кирдин кургак кезиндеги салмагына тиешелүү тизмедеги нарктардан ашырбаңыз: “Жуу циклдөр жадыбалын” караңыз.

Жуучу кириңиздин салмагы канча?

- 1 шейшеп 400 - 500 г
- 1 жаздык тыш 150-200 г
- 1 дасторкон 400-500 г
- 1 махер халат 900-1200 г
- 1 сүлгү 150-250 г

Атайын жуу циклдери

Күнүмдүк аралаш Жуу-Кургатуу: аралаш (пахта жана синтетика) кийимдерди жууп-кургатканга 1-программаны колдонуңуз. Бул цикли 3 кгга чейинки жүктү жууп-кургатканга колдонсо болот: *суюк детергент колдонууну сунуштайбыз.*

Бул программада бууну колдонуу кийимдерде бырыштардын пайда болушун азайтканга ылайыкталып, аларды үтүктөөнү жеңилдетет.

Көйнөк-футболка: максималдуу кам көрүүнү камсыз кылуу үчүн ар кандай кездеме жана өндөрдөгү көйнөк-футболкаларды жууп-кургатканга 2-программаны колдонуңуз. Бул цикли 2 кгга чейинки жүктөрдү жууп-кургатканга колдонсо болот. Оптималдуу натыйжаларга жетиш үчүн суюк детергент колдонуңуз жана жака-жеңдерди жана тактарды алдын ала иштетиңиз. Бул программада бууну колдонуу кийимдерде бырыштардын пайда болушун азайтканга ылайыкталып, аларды үтүктөөнү жеңилдетет.

Үтүктөө алдында: бул программаны үтүктөөнүн алдында колдонуңуз; максималдуу жүк 1,5 кг. Бул программада бууну колдонуу кийимдерде бырыштардын пайда болушун азайтканга ылайыкталып, аларды үтүктөөнү жеңилдетет.

Буу менен сергитүү: тоголонмо көңдөйдүн ичине буу багыттоо менен кийимдерди сергитип, жагымсыз жыттарды кетирүү жана булаларды бошотуу үчүн. Цикл аяктаганда кийим ным болот.

Такка каршы Турбо 45': бул цикл ал эмес 20°C менен да болгону 45 мүнөттө мыкты так кетирүү жөндөмүн камсыз кылат. Бул циклдин температурасын 40°C-ге чейин көбөйтсө болот.

Такка каршы Кубат 20°C: бул программа төмөнкү температураларда алдын ала иштетүүнү талап кылбастан мыкты так кетирүү жөндөмүн камсыз кылып, кездемелерди жана өңдөрдү ошо бойдон калтырат.

Мульти Өң: гүлдүү пахта кийимдерди жуу үчүн. Бул программа ал эмес кайра-кайра жуугандан кийин да өндөр ошо бойдон калышына ылайыкталган.

Ультра Назик: жылтырак-жултурактары бар абдан назик кийимдерди жууганга 11-программаны колдонуңуз. Назик буюмдарды жууганга кийимдерди аңтарып, майда бөлүктөрүн атайын баштыкка салууну сунуштайбыз. Мыкты натыйжа үчүн назик кийимдерге суюк детергент колдонуңуз.

Өзгөчө убакытка негизделген кургатуу функциясын таңдаганда кургатуу цикли жеңил иштетүү жана суу берүүнүн тиешелүү температура көзөмөлүнүн аркасында жетишилген айрыкча назик жуу циклинин аягында аткарылат.

Сунушталган узактыктар:

- 1 кг синтетика кийим --> 165 мүн
- 1 кг синтетика жана пахта кийим --> 180 мүн
- 1 кг пахта кийим --> 180 мүн

Канчалык кургак болору жүк жана кездеменин курамына жараша болот.

Жүн - Woolmark (жүн) Кийимге кам көрүү - Жашыл: бул шаймандын жүндү жуу цикли Woolmark компаниясы тарабынан “колго жуу” эндүү жүн кийими жууганга жарайт деп таанылган, ан үчүн буюмдарды кийим эниндеги жана ушул жуугуч-кургаткычтын өндүрүүчүсү чыгарган нускамаларга ылайык жууш керек.



Спорт: жеңил кирдеген спорт кийимдерин (чуркоо кийимдерин, шорт, сүлгү ж.у.с.) жууганга; мыкты натыйжа үчүн “Жуу циклдөр жадыбалын” көрсөтүлгөн максималдуу жүктөн ашпоону сунуштайбыз. Суюк детергент колдонуп, жарымынан жүктөгөнгө жарактуу өлчөм кошууну сунуштайбыз.

Жүктү тең салмактоо системи

Ашыкча дирилдөөгө жол бербөө жана жүктү бир ыктай таратуу үчүн ар бир айлануу циклинин алдында тоголок көңдөй жуу айлануу циклиндегиден бир аз ашкан ылдамдыкта бир топко айланат. Бир нече аракеттен кийин жүк туура тең салмактанбаса, шайман азайтылган тегеренүү ылдамдыгында тегеренет. Жүк ашыкча эле тең салмаксыз болсо, жуугуч-кургаткыч тегеренбей, таратуу процессин аткарат. Жүк жакшыраак таратылышы жана тең салмактуулукту колдоо үчүн жүктө кичине жана чоң кийимдер аралаш болушун сунуштайбыз.

Эгерде сиздин кир жуугуч машина иштебесе, сервистик тейлөө борборуна кайрылуудан мурда (Сервистик тейлөө кара.), төмөндөгү тизмеде берилген сунуштарды сактоо менен, бузуктарды жоюуга болоорун текшериниз.

Бузуктар:

Мүмкүн болуучу себептери / Жоюу методдору:

Кир жуугуч машина күйбөйт

- Штепселдик айры электр розеткасы менен кошулган эмес же түшүп калат жана байланышты камсыздабайт.
- Үйдө электр жок.

Кир жуу циклы иштебейт

- Машинаны люгу бекем жабылган эмес.
- КҮЙГҮЗҮҮ/ӨЧҮРҮҮ баскычы басылган эмес.
- ИШТЕТҮҮ/ТЫНЫГУУ баскычы басылган эмес.
- Суу түтүк краны жабык.
- Циклды иштетүүнү кармоо программаланган.

Жуугуч-кургаткыч суу албай жатат (дисплейге “NO WATER, Turn tap on/СУУ ЖОК, Кранды күйгүзүңүз” деп чыгат).

- Суу түтүк ийкем түтүгү кранга туташтырылган эмес.
- Ийкем түтүк бүгүлүп калган.
- Суу түтүк краны жабык.
- Үйдө суу жок.
- Жетишсиз суу түтүк басымы.
- ИШТЕТҮҮ/ТЫНЫГУУ баскычы басылган эмес.

Машина тынымсыз сууну куят жана төгөт

- Суу төгүүчү ийкем түтүк полдон 65-100 см бийиктикте жайгашкан эмес (“Орнотууну” кара).
- Суу төгүүчү ийкем түтүктүн учу сууга салынган (“Орнотууну” кара).
- Дубалдагы суу төгүүчү тешик аба чыгаруу үчүн вантуз менен жабылган эмес. Эгерде жогоруда саналган текшерүүлөрдөн кийин бузук жоюлбаса, суу түтүк краны жабып, кир жуугуч машинаны өчүрүп жана Сервистик Тейлөө Борборуна кайрылуу керек. Эгерде сиздин батир имараттын акыркы кабатында жайгашса, сифон көрүнүшү байкалышы мүмкүн, ошондуктан кир жуугуч машина сууну үзгүлтүксүз төгүүнү жана куюуну жүргүзөт. Бул аномалияны жоюу үчүн сатыкта сифон көрүнүшүнө каршы атайын клапандар бар.

Кир жуугуч машина сууну төкпөйт жана кирди сыкпайт

- Тандалган программа сууну төгүүнү карабайт: айрым программалар үчүн кол менен төгүүнү күйгүзүү керек.
- Суу төгүүчү ийкем түтүк ийилип клаган (“Орнотууну” кара).
- Суу төгүүчү кубур түтүк толуп калган.

Кир жуугуч машина сыгуу процессинди катуу титирейт

- Кир жуугуч машинаны орнотуу учурунда барабан туура эмес тосмолонгон (“Орнотууну” кара).
- Кир жуугуч машина түз орнотулган эмес (“Орнотууну” кара).
- Машина дубалдын жана эмеректин ортосунда кысылган (“Орнотууну” кара).

Кир жуугуч машинадан суунун агышы

- Суу түтүк ийкем түтүгү начар буралган (“Орнотууну” кара).
- Жуугуч каражаттардын дозатору булганган (аны тазалоо тартибин “Техникалык тейлөө жана кам көрүү” параграфынан кара).
- Суу төгүүчү ийкем түтүк начар бекитилген (“Орнотууну” кара).

Кошумча функциялардын индикатору жана “ИШТЕТҮҮ/ТЫНЫГУУ” индикатору бүлбүлдөйт, дисплейде аномалия коду көрсөтүлөт (мисалы: F-01, F-..)

- Машинаны өчүрүңүз жана штепселдик айрыны тармактык розеткадан сууруңуз, 1 мүнөт күтө туруңуз жана кайрадан машинаны күйгүзүңүз. Эгерде бузук жоюлбаса, Сервистик Тейлөө Борборуна кайрылыңыз.

Кир жуу процессинде өтө көп көбүк пайда болот.

- Жуугуч каражат кир жуугуч машинада жуу үчүн жарабайт (таңгакта “кир жуугуч машинада жуу үчүн”, “кол менен жана машинада жуу үчүн” же башка көрсөтүлүшү керек).
- Дозаторго ашыкча өлчөмдө жуугуч каражат салынган.

Кир жуугуч машина кургатпайт.

- Штепселдик айры электр розеткасын менен кошулган эмес же түшүп калып жана байланышты камсыздабайт
- Үйдө электр өчүрүлгөн
- Машинанын люгу жакшы жабылган эмес
- Циклды иштетүүнү кийинкиге калтыруу программаланган.
- КУРГАТУУ жөндөгүчү OFF. абалында турат.

Биз өз сатып алуучуларыбыз жөнүндө кам көрөбүз жана сервистик тейлөөнү сапаттуу кылууга аракет кылабыз. Сиздин техника менен мамилеңиз жөнөкөй жана жагымдуу болушу үчүн, биз продукттарды туруктуу өркүндөтөбүз.

Техникага кам көрүү

Пайдалануу мөөнөтүн узартыңыз жана техниканын бузулуу мүмкүндүгүн төмөндөтүңүз.

Сиздин тиричилик техникага жөнөкөй, натыйжалуу жана оңой кам көрүү үчүн Indesit Professional компаниясынан техникага кам көрүү үчүн кесипкөй каражаттарды пайдаланыңыз.

Indesit Professional продукттары сапат, экология жана пайдалануунун коопсуздугу жаатында жогорку европалык стандарттарды сактоо менен Италияда өндүрүлгөн жана техниканы өндүрүүчүнүн көп жылдык тажрыйбасын эске алуу менен түзүлгөн. Кеңири маалыматты www.hotpoint-ariston.com сайтындагы “Сервис” бөлүмүнөн билиңиз жана Сиздин шаардагы дүкөндөрдөн сураңыз.

Авторлоштурулган тейлөө борборлору

Биздин керектөөчүлөргө жакын болуу үчүн, биз кеңири тейлөө тармагын түздүк, анын өзгөчөлүгү тейлөө мастерлеринин жогорку даярдыгы, кесипкөйлүгү жана чынчылдыгы болуп саналат. Бүгүнкү күндө Россиянын жана КМШ аймагында 350гө жакын тейлөө борборлору бар.

Алардын байланыштарын Сиз сервистик сертификаттан жана www.hotpoint-ariston.com сайтындагы “Сервис” бөлүмүнөн таба аласыз.

Эгерде сиз сервистик борборго кайрылышыңыз керек болсо:

Көңүл буруңуз! Оңдоодо түп нуска камдык бөлүктөрүн пайдаланууну талап кылыңыз.

Сервис борборуна кайрылуунун алдында:

- Сиз бузукту өз алдыңызча кетире албай турганыңызды текшериниз (“Бузуктар жана аларды жоюунун методдорун” кара.).
- Машинанын оңдугун текшерүү үчүн программаны кайра иштетиңиз.
- Болбосо кепилдик талонунда көрсөтүлгөн телефон боюнча Авторлоштурулган Сервис борборуна кайрылыңыз.

! Эч качан авторлоштурулбаган сервис борборлоруна кайрылбаңыз.

Сервис Кызматына кайрылганда билдирү керек:

- бузуктун түрү;
- кепилдик документинин номери (сервис китепчеси, сервис сертификаты ж.б.);
- кир жуугуч машинанын арткы панелинде жайгашкан, маалымат тактачасында көрсөтүлгөн машинанын модели (Мод.) жана сервистик номери (S/N).

Башка пайдалуу маалыматтарды жана жаңылыктарды Сиз www.hotpoint-ariston.com сайтындагы “Сервис” бөлүмүнөн таба аласыз.