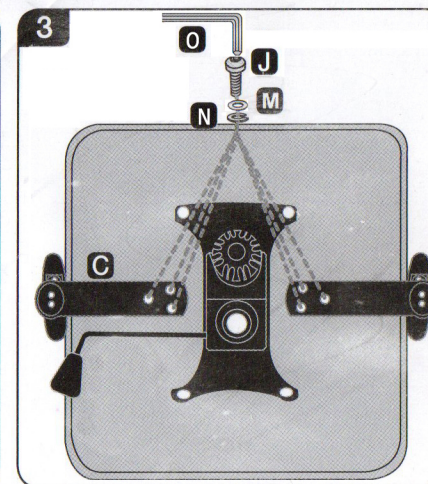
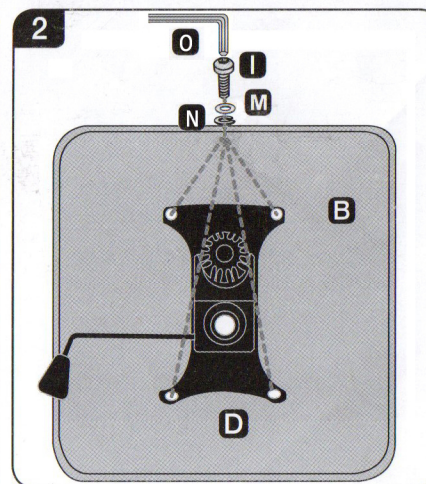
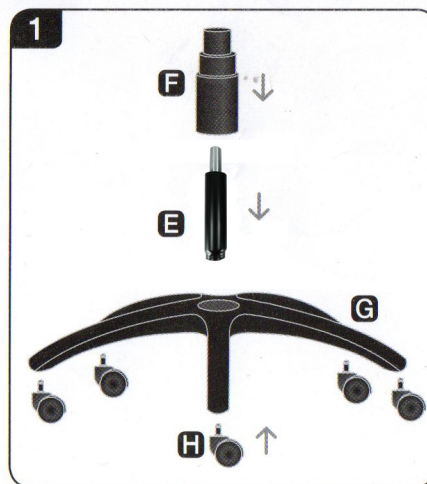


A x1 	E x1
F x1 	G x1
B x1 	H x5
C x1 	I x4 M8X20 mm
D x1 	J x10 M8X25 mm
	K x2
	L x2 M6X10 mm
	M x14
	N x14
	O x1



FOR MORE INFORMATION
SCAN QR CODE

