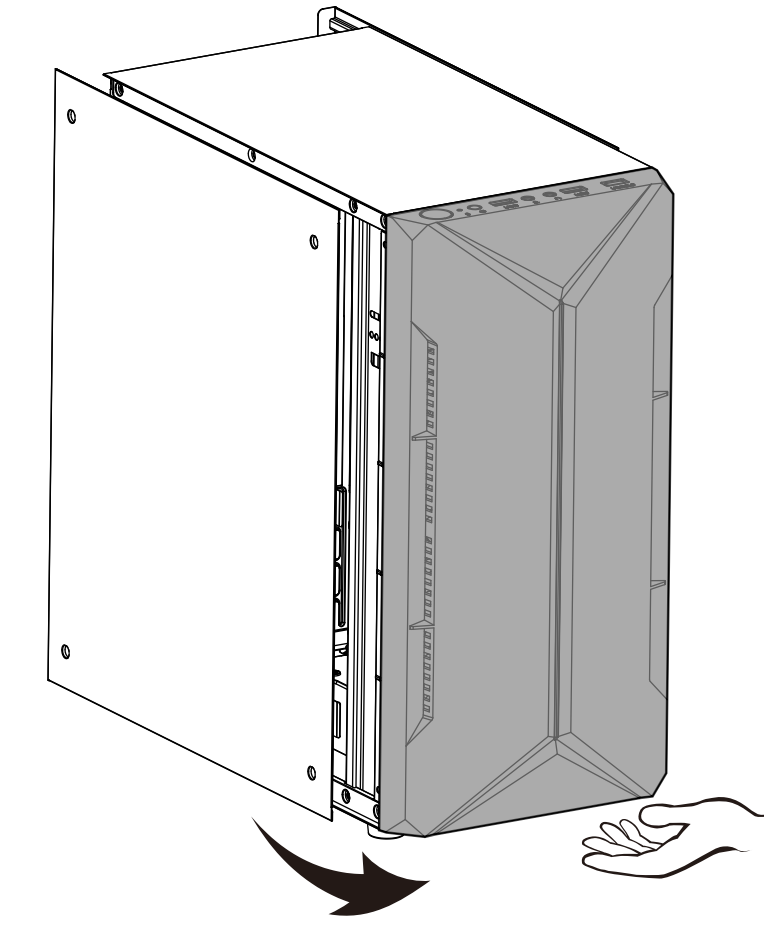
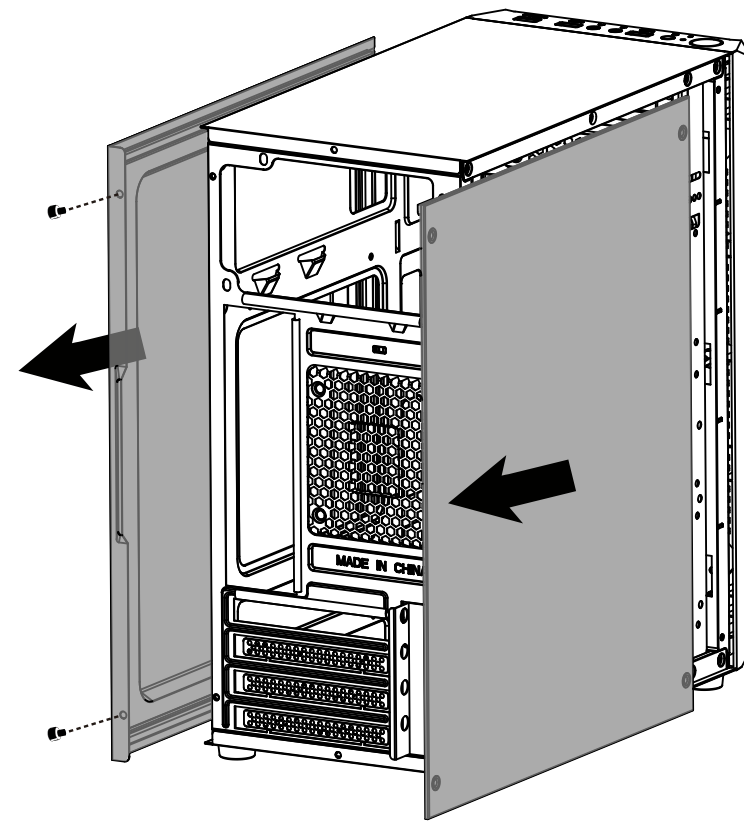


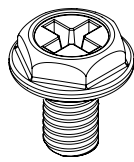
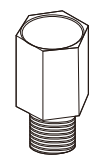
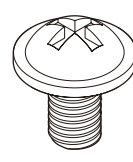
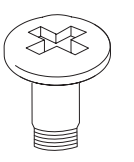
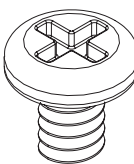
X
KRUX

ASTRO
KRX0016

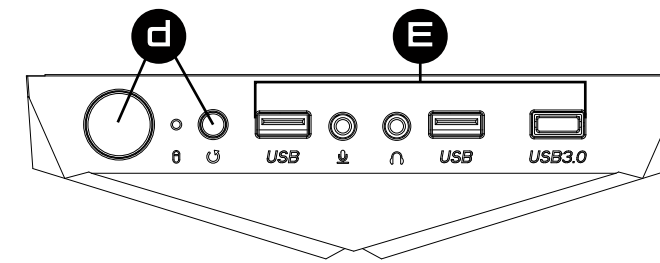
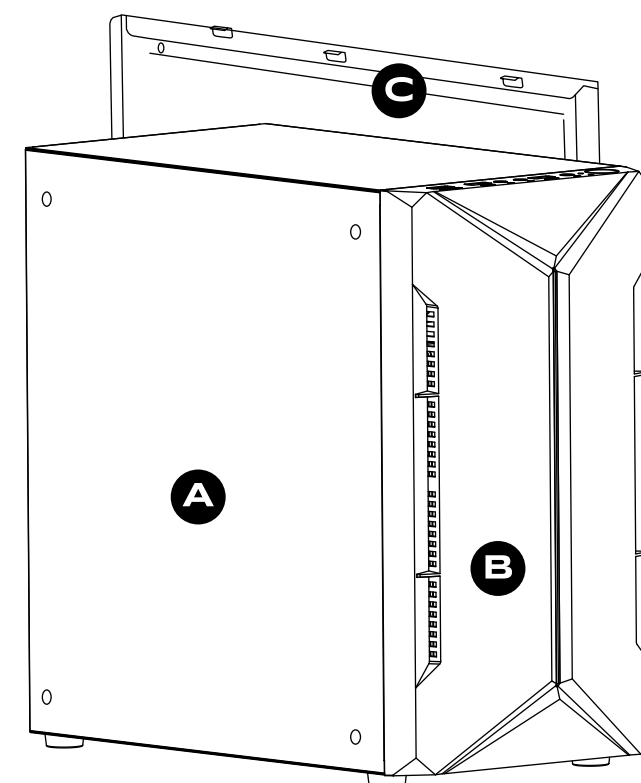
1 REMOVAL OF PANELS



ACCESSORY PACKET CONTENTS:

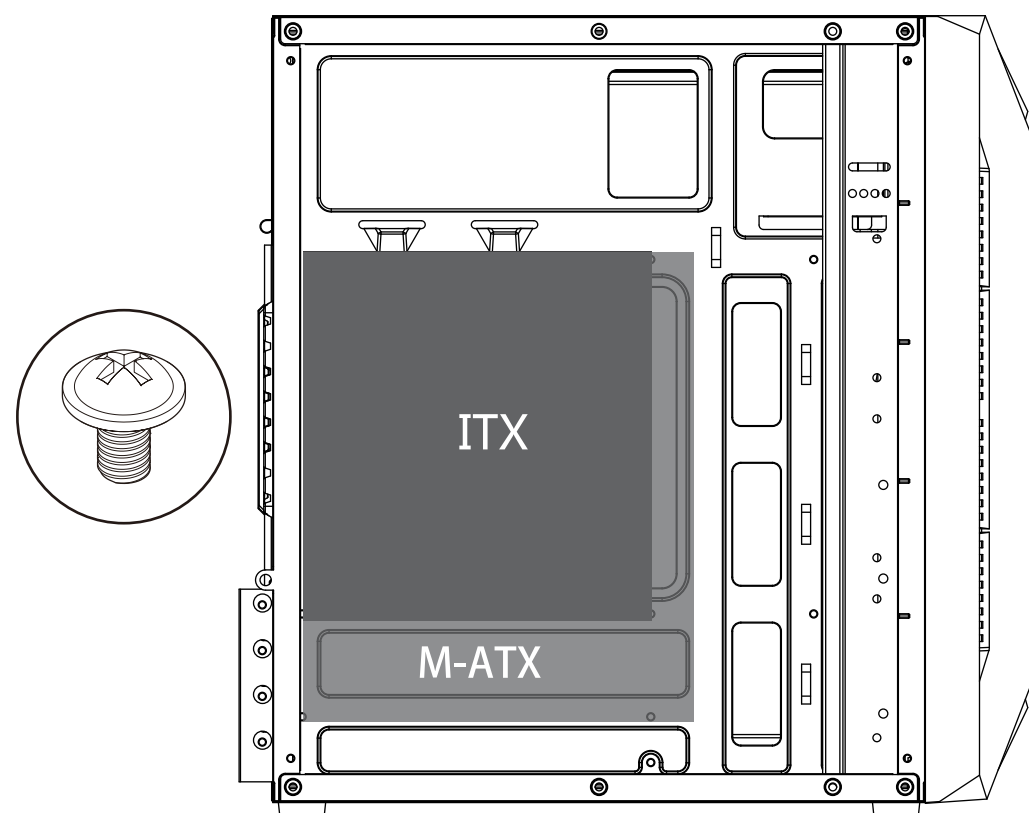
 x6	 x2	 x12	 x2
 x6			

CASE FEATURES



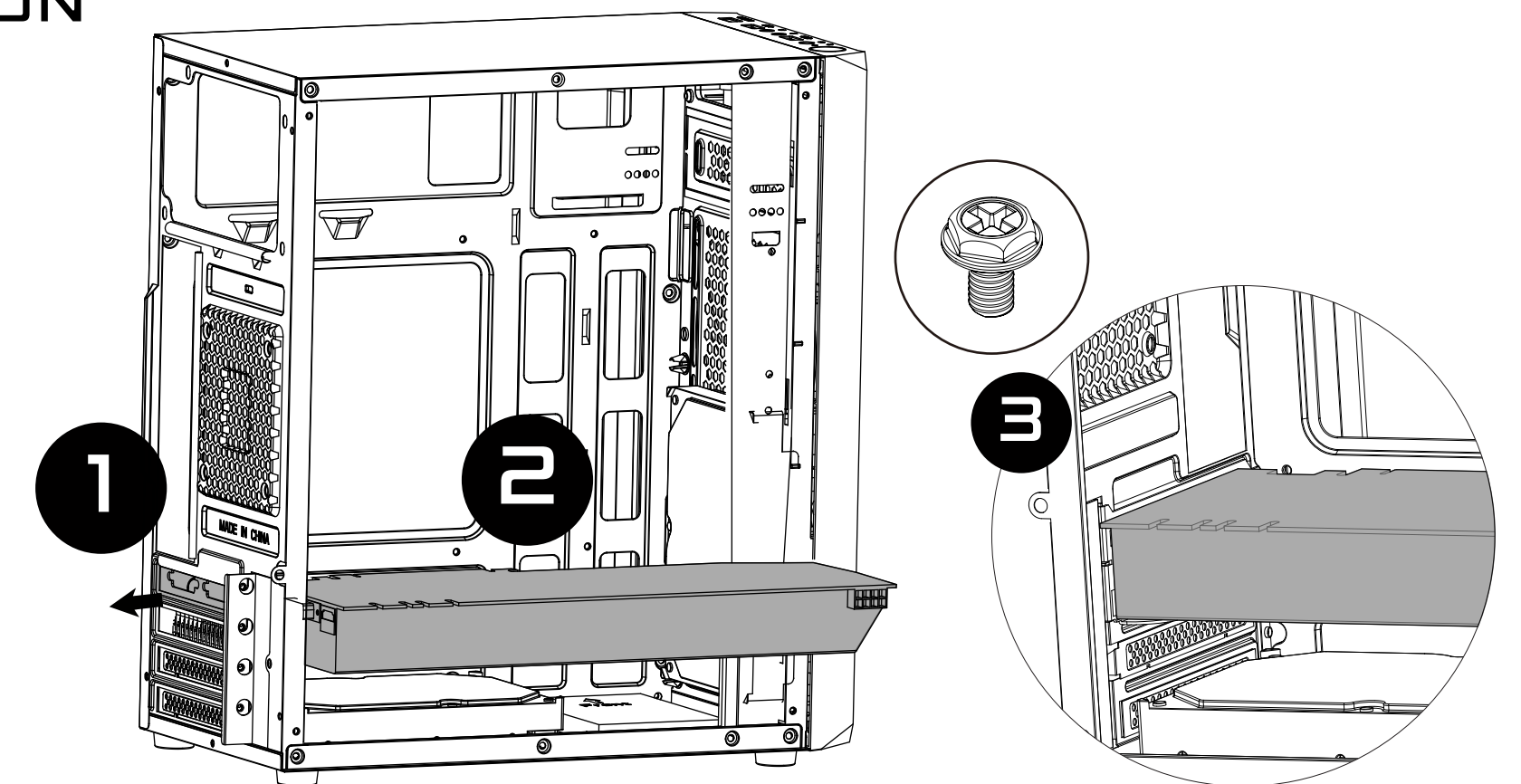
- A - SIDE TEMPERED GLASS PANEL
- B - FRONT PANEL
- C - SIDE PANEL
- D - POWER + RESET BUTTON
- E - 1 USB 3.0, 2X USB 2.0, HD AUDIO

2 MOTHERBOARD INSTALLATION

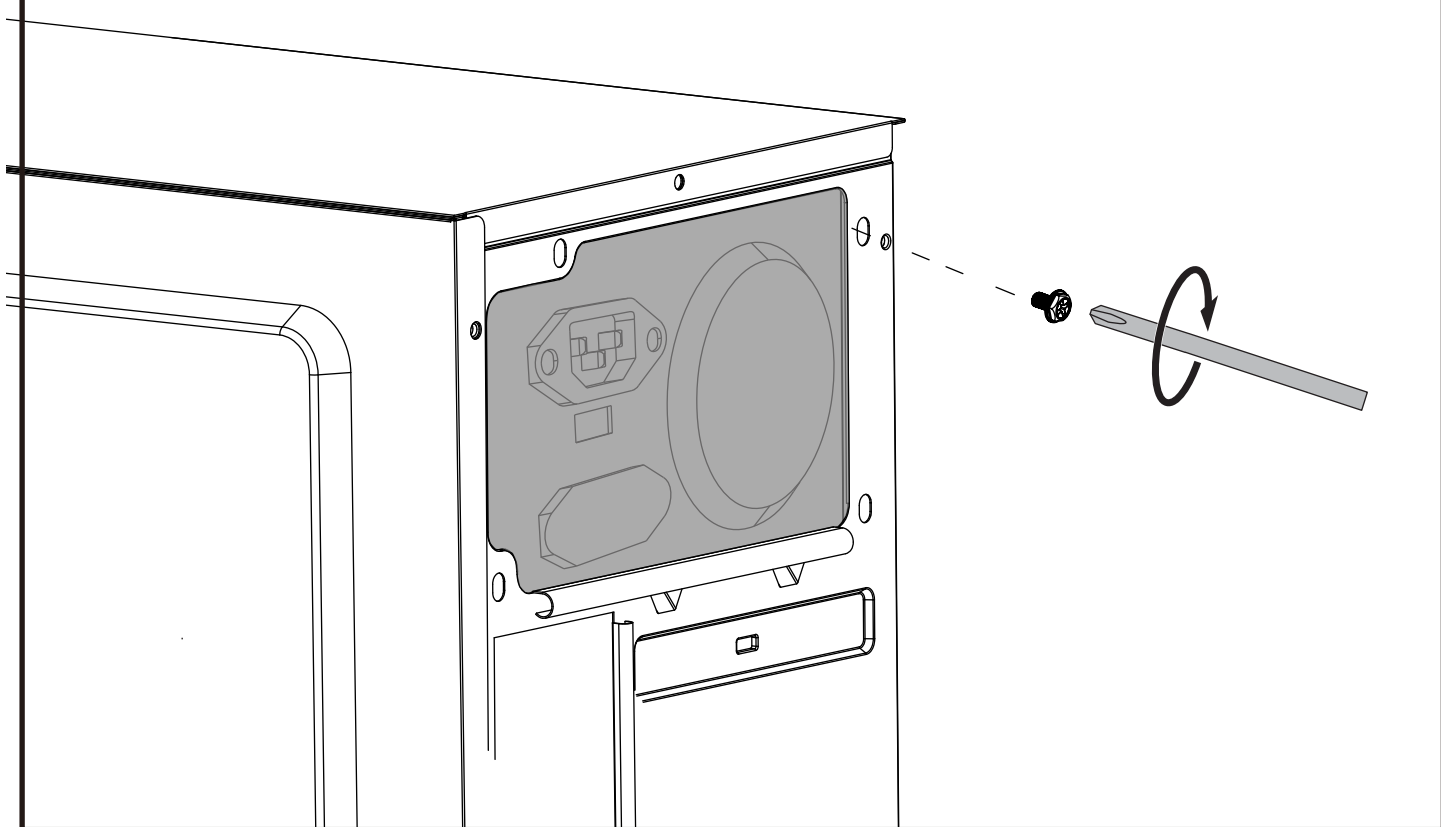


3 ADD-ON CARD INSTALLATION

- 1 - BEND ADD-ON CARD COVER
- 2 - SLIDE PCI-E CARD INTO POSITION
- 3 - SECURE PCI-E CARD WITH ADD-ON SCREW

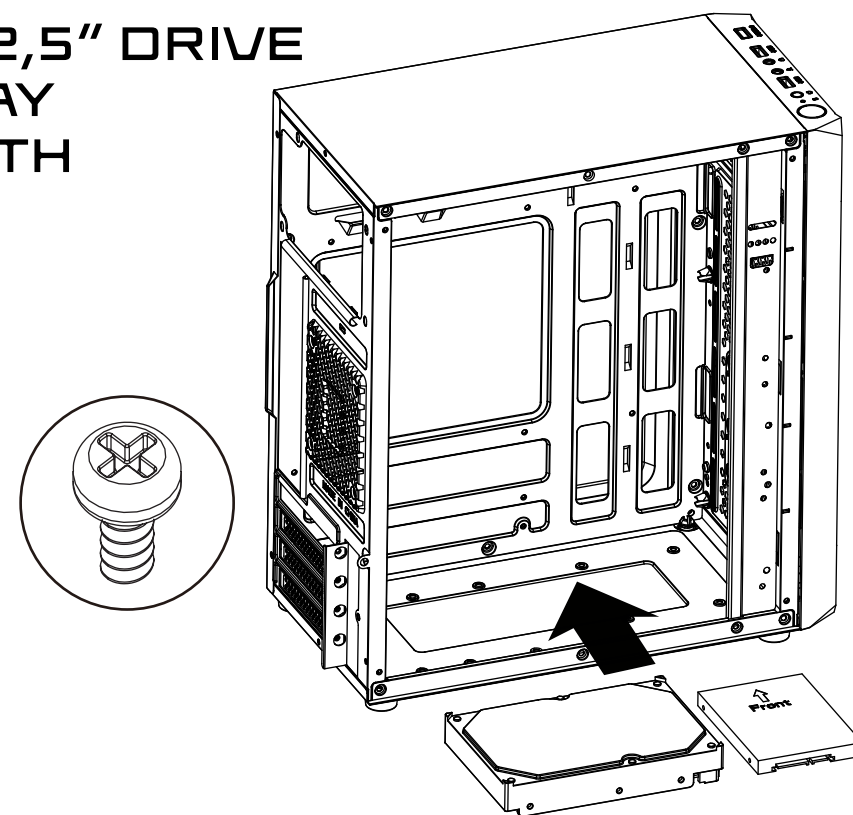


4 POWER SUPPLY INSTALLATION



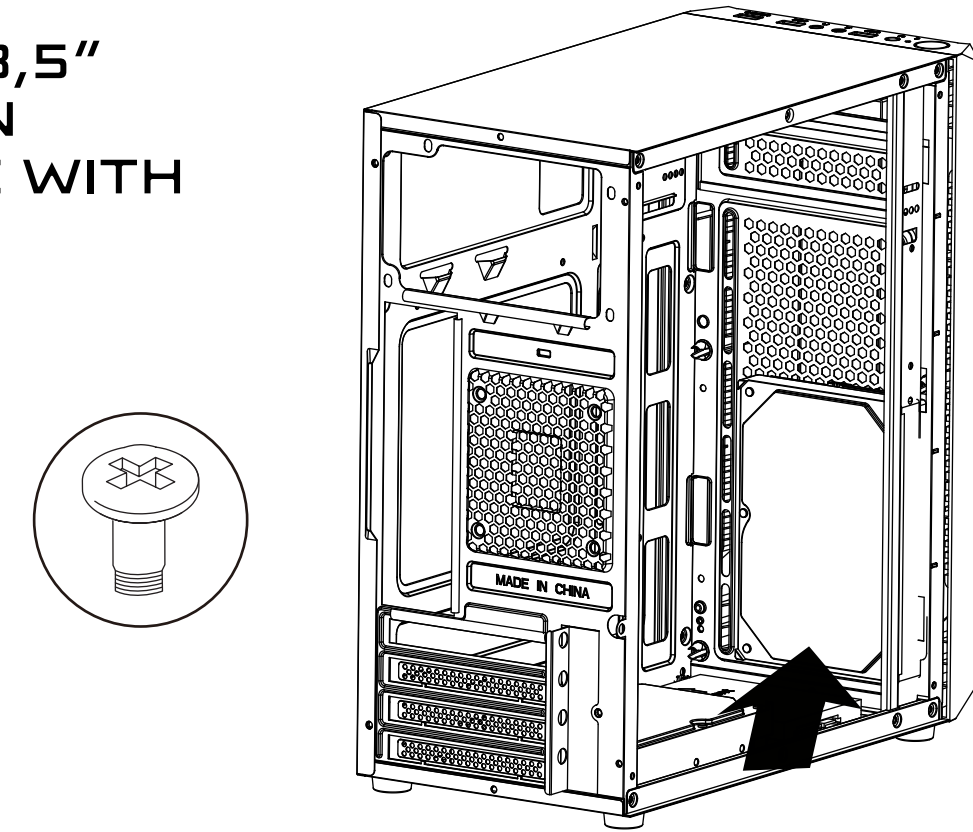
5 3,5' HDD INSTALLATION

- 1 - SLIDE 3,5", 2,5" DRIVE INTO THE BAY
- 2 - SECURE WITH SCREWS



6 2,5' SSD INSTALLATION [1]

- 1 - PLACE 3,5" DRIVE IN
- 2 - SECURE WITH SCREWS



6 FRONT/REAR FAN INSTALLATION

