

Haier

ENGLISH	INSTALLATION AND USER'S MANUAL
SPANISH	MANUAL DE INSTALACION Y USO
POLSKI	INSTRUKCJA OBSŁUGI I INSTALACJI
PORTUGUES	MANUAL DE INSTALAÇÃO E UTILIZADOR
DEUTSCH	INSTALLATIONS- UND BEDIENUNGSANLEITUNG
БЪЛГАРСКИ	РЪКОВОДСТВО ЗА МОНТАЖ И ЕКСПЛОАТАЦИЯ
SERBIAN	INSTALACIJA I UPUTSTVO ZA UPOTREBU
HRVATSKI	UPUTE ZA UGRADNJU I UPORABU
CZECH	NÁVOD K INSTALACI A POUŽITÍ
SLOVAK	NÁVOD NA INŠTALÁCIU A POUŽITIE
SLOVENŠČINA	NAVODILA ZA MONTAŽO IN UPORABO
ΕΛΛΗΝΙΚΑ	ΕΓΚΑΤΑΣΤΑΣΗ ΚΑΙ ΕΓΧΕΙΡΙΔΙΟ ΧΡΗΣΤΗ
ROMÂNĂ	MANUAL DE INSTALARE ŞI UTILIZARE
TÜRKÇE	KURULUM VE KULLANIM KILAVUZU

INSTALLATION AND USER'S MANUAL

CONTENT

INTRODUCTION	03
SAFETY PRECAUTION	03
ELECTRICAL INSTALLATION	05
SPECIFICATION	06
INSTALLATION (VENT OUTSIDE)	07
INSTALLATION (VENT INSIDE)	16
DESCRIPTION OF COMPONENTS	17
OPERATION	17
MAINTENANCE	18
TROUBLESHOOTING	19
CONFORMITY WITH DIRECTIVES	19
ENVIRONMENTAL PROTECTION	20

INTRODUCTION

Thank you for choosing this cooker hood.

This instruction manual is designed to provide you with all required instructions related to the installation, use and maintenance of the appliance. In order to operate the unit correctly and safety, please read this instruction manual carefully before installation and usage.

The cooker hood uses high quality materials, and is made with a streamlined design. Equipped with large power electric motor and centrifugal fan, it also provides strong suction power, low noise operation, non-stick grease filter and easy assembly installation.

SAFETY PRECAUTION

- Never let the children operate the machine.
- The cooker hood is for home use only, not suitable for barbecue, roast shop and other commercial purpose.
- The cooker hood and its filter should be clean regularly in order to keep in good working condition.
- Clean the cooker hood according to the instruction manual and keep the unit from danger of burning.
- Forbid the direct baking from the gas cooker. Please keep the kitchen room a good convection.
- Before connecting this appliance check that the power supply cord is not damaged. A damage supply cord must be replaced by qualified service personnel only.
- There shall be adequate ventilation of the room when the range hood is used at the same time as appliances burning gas or other fuels;

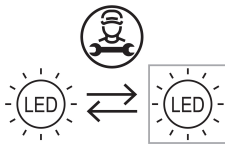
- The air must not be discharged into a flue that is used for exhausting fumes from appliances burning gas or other fuels;
- Regulations concerning the discharge of air have to be fulfilled.

- Children should be supervised to ensure that they do not play with the appliance.
- Do not flambé under the range hood.
- The range hood is not intended to be installed over a hob having more than four hob elements

- These shall be adequate ventilation of the room when the range hood is used at the same time as appliances burning gas or other fuels(not applicable to appliances that only discharge the air back into the room);
- the details concerning the method and frequency of cleaning.
- there is a fire risk if cleaning is not carried out in accordance with the instructions;
- do not flame under the range hood;
- CAUTION: Accessible parts may become hot when used with cooking appliances.

Electrical Shock Hazard

- Only plug this unit into a properly earthed outlet. If in doubt seek advice from a suitably qualified engineer.
- Failure to follow these instructions can result in death, fire, or electrical shock.



The lamp used in this product is not suitable for use in the lighting of a room.

The purpose of this lamp is to provide illumination for using the product.

Electrical Installation

All installation must be carried out by a competent person or qualified electrician. Before connecting the mains supply ensure that the mains voltage corresponds to the voltage on the rating plate.

Direct Connection

The appliance must be connected directly to the mains using an omnipolar circuit breaker with a minimum opening of 3mm between the contacts.

The installer must ensure that the correct electrical connection has been made and that it complies with the wiring diagram.

The cable must not be bent or compressed.

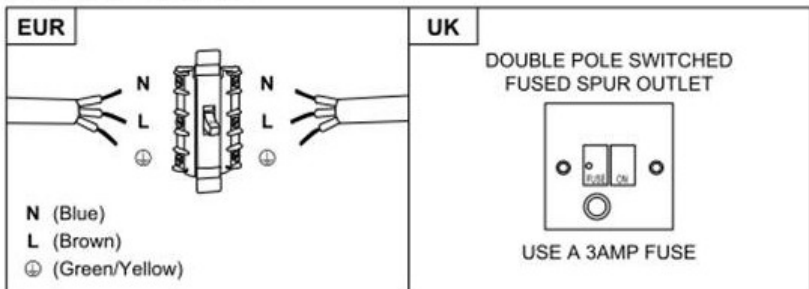
Regularly check the power plug and power cord for damage. If the supply cord is damaged, it must be replaced by a special cord or assembly available from the manufacturer or its service agent.

WARNING: This is a Class I appliance and **MUST** be earthed This appliance is supplied with a 3 core mains cable coloured as follows:

Brown = L or Live

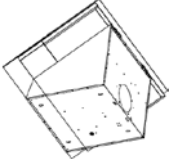










Blue = N or Neutral

Green and Yellow = E or Earth 



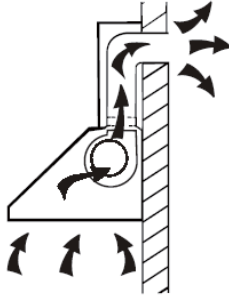
The fuse must be rated at 3 Amps.

Standard Installation Accessories List

Spec.	Illustration Picture	Qty
Hood body		1
Lower chimney (500mm)		1
Upper chimney (500mm)		1
Upper chimney bracket		1
Lower chimney bracket		1
Cooker hood bracket		1
φ8 rawl plugs φ8×φ6 white color		9
Screw (ST4 * 30 mm)		9
Screw (ST4 * 8 mm)		6
Air outlet		1
Carbon filter		2

INSTALLATION (wall mounting)

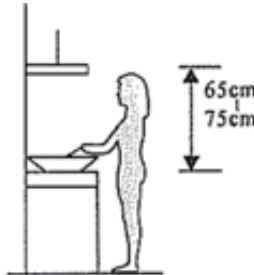
If you have an outlet to the outside, your cooker hood can be connected as below picture by means of an extraction duct (enamel, aluminum, flexible pipe non flammable with an interior diameter of 150mm)



1. Before installation, turn the unit off and unplug it from the outlet.



2. The cooker hood should be placed at a distance of 65~75cm above the cooking plane for best effect.

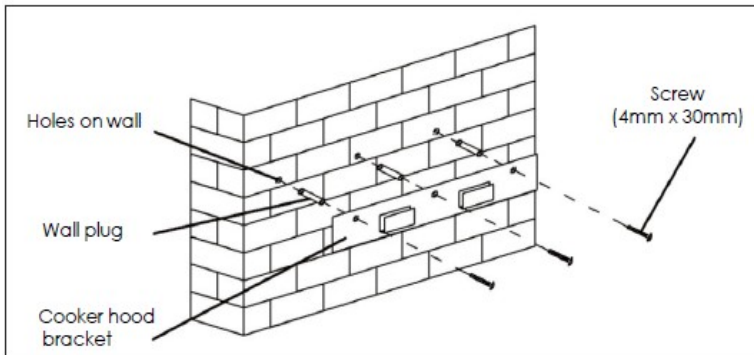


INSTALLING THE HOOD

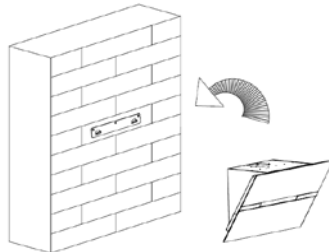
Position the hood at the desired height respecting the minimum height above the hob.

Mark the location of the wall bracket.(Placed the holes between 700 and 800 mm above the worktop) Remove the hood and position the wall bracket to mark the locations of the holes on the wall.

Drill the 3 holes in the wall to insert the appropriate fastening system (screw ST4x30mm)..



Hang the hood in the notches of the wall bracket.

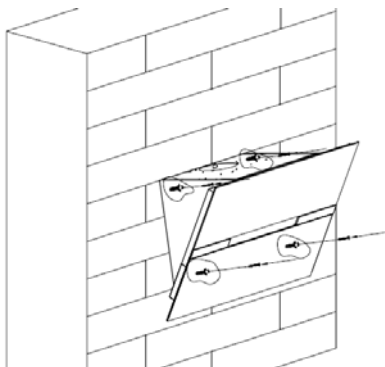


INSTALLING THE HOOD

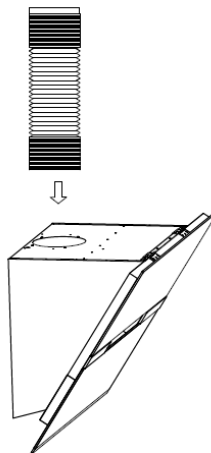
Once the hood is in place, locate the location of the 4 additional wall mount screws as shown in the following diagram.

Remove the hood to puncture the wall and install wall plugs.

Secure the body of the hood with 4 screws of 4 mm in diameter using dowels adapted to your wall.



If the extraction mode is selected, place the exhaust air duct on the air outlet as shown.



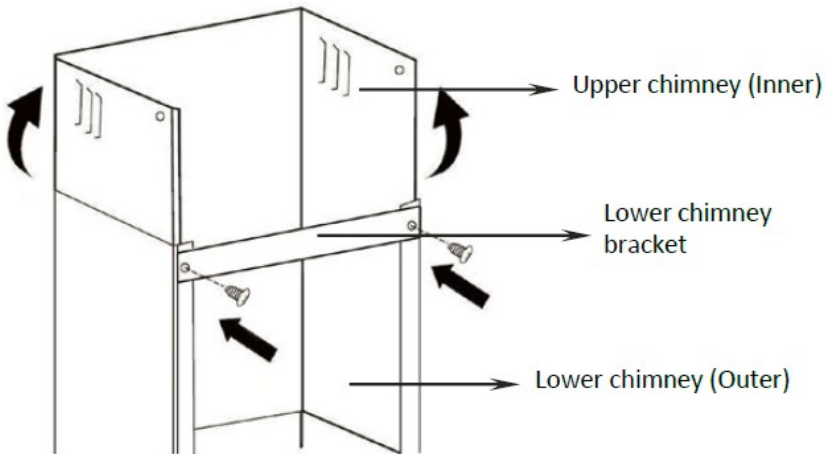
INSTALLING THE HOOD

Attach the lower chimney support to the lower chimney as shown.

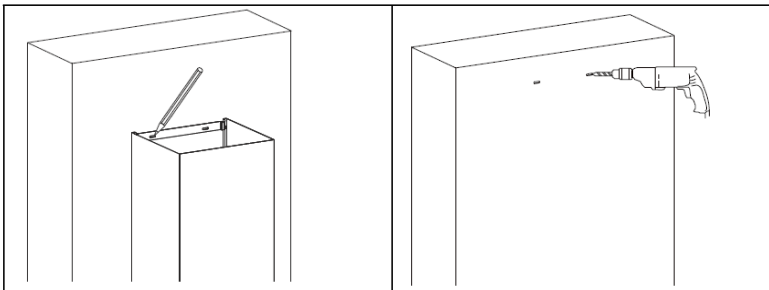
Use 2 screws ST4x8mm.

(Do not over tighten the screws, make sure the upper chimney can slide easily into the lower chimney)

Insert the upper chimney into the lower chimney.



Position the bottom chimney in the appliance, then mark the holes on the wall.

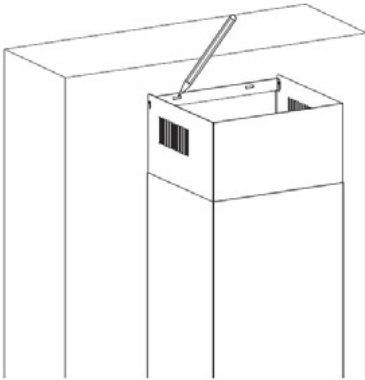
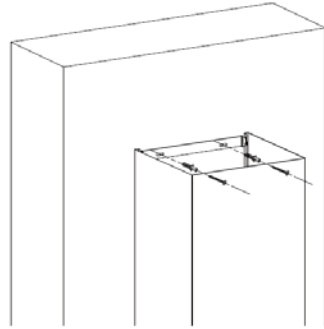


Remove the lower chimney, then drill holes in the wall: hole for screw diameter $\Phi 8$ mm

Use the dowels adapted to your wall

INSTALLING THE HOOD

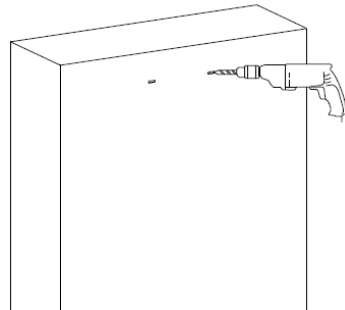
Install the lower chimney, then screw it to the wall with 2 screws of diameter Φ 8 mm



Then pull the upper chimney upwards to the desired height. Mark the locations of the mounting holes of the upper chimney support.

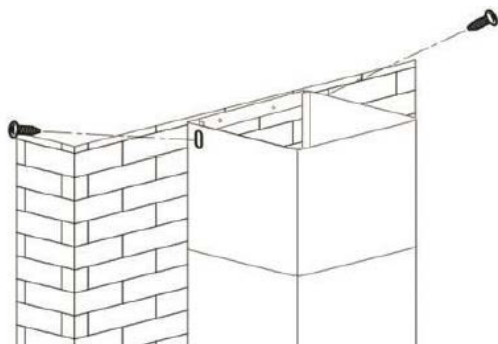
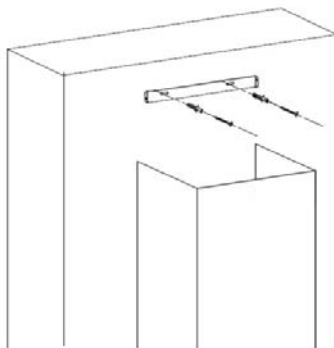
Lower the upper chimney and then drill holes in the wall.

Insert the dowels adapted to your wall



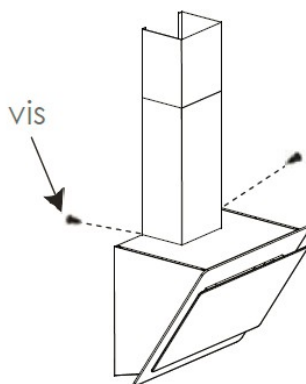
INSTALLING THE HOOD

Secure the wall bracket of the upper chimney to the wall using the selected dowels (8 mm screws recommended).








Reassemble the upper chimney and fix it to the wall bracket with 2 screws ST4x8mm

Fasten the lower chimney to the lugs of the kitchen hood using 2 screws ST4x8mm.



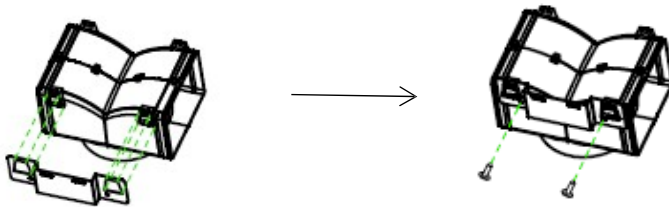
Standard Installation Accessories List

Spec.	Illustration Picture	Qty
Air Deflector		1
Bracket		1
φ8 rawl plugs φ8×φ6 white color		2
Screws ST4.0×30		2
Screws ST3.5×12		2

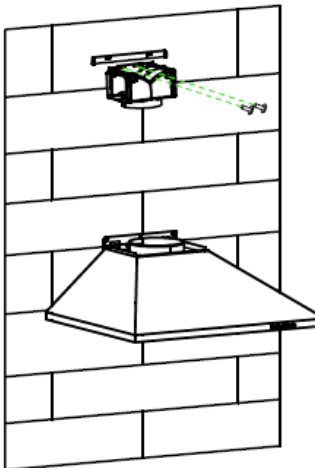
INSTALLATION(AIR DEFLECTOR FOR T-SHAPE,CURVED GLASS,FLAT GLASS MODELS):

Air deflector is mentioned as included and not optional.

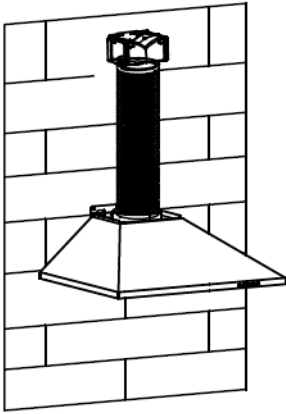
1. Fix the bracket to the T-shaped plastic outlet with 2pcs ST3.5x12mm screws provided as shown below:



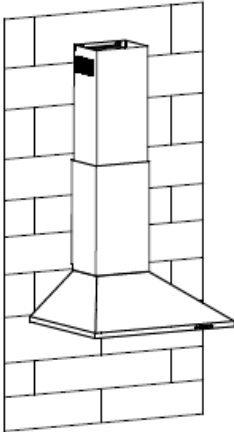
2. Drill 2 holes on the wall to accommodate the wall plugs, then screw and tighten the bracket onto the wall with 2pcs ST4x30mm screws provided.



3. Attach the exhaust pipe onto the air outlet of the cooker hood as shown below:



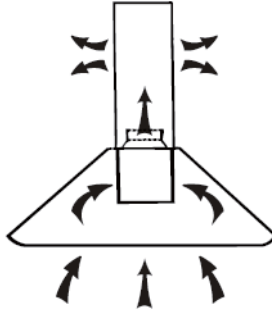
4. Install the chimney to the unit and fix it.



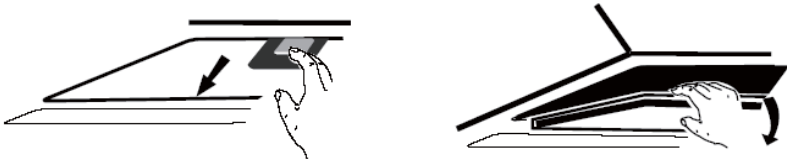
- o “Please kindly be noted: T-shaped plastic outlet and v-flaps can not be use d at the same time. You can use them in two ways: 1) Add v-flap on existing o utlet; 2) Use T-shaped plastic outlet, no add v-flap.”
- o “Note: The product is provided with v-flap accessory. This accessory is not mandatory for installation, operation and use of the product.”

INSTALLATION (VENT INSIDE)

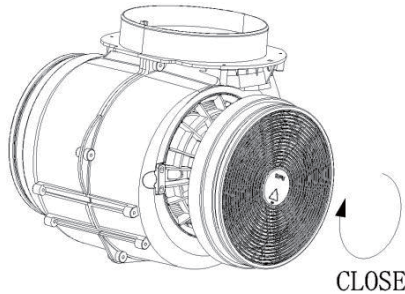
If you do not have an outlet to the outside, exhaust pipe is not required and the installation is similar to the one show in section “INSTALLATION (VENT OUTSIDE)”.



Activated carbon filter can be used to trap odors. In order to install the activated carbon filter, the grease filter should be detached first. Press the lock and pull it downward.



Plug the activated carbon filter into the unit and turn it in clockwise direction. Repeat the same on the other side.



NOTE:

- o *Make sure the filter is securely locked. Otherwise, it would loosen and cause dangerous.*
- o *When activated carbon filter attached, the suction power will be lowere*

DESCRIPTION OF COMPONENTS

1

2

3

B



OPERATION

STANDBY MODE.

After plug in, all lighting, system in **STANDBY MODE**.

1

Low Speed button

It's used for Ventilation on the kitchen. It is suitable for simmering and cooking which do not make much steam.

2

Medium Speed button

Airflow speed is ideally for ventilation in standard cooking operation.

3

High Speed button

When high density of smoke or steam produced, press high-speed button for high effective ventilation.

B

Booster function

This hood has a booster function. To activate the booster, Press

B to speed 4, enter into highest speed while the hood is in use and it will increase speed for 5 minutes, before slowing down again.



Light

Short press for lighting on & off

Quick timer: Long press the light button hold for 3 seconds, fan speed buttons will flashing & into 5minutes count down, after 5 minutes motor & light will turn off automatic with three Buzzer sound.

MAINTENANCE

Before cleaning switch the unit off and pull out the plug.

I. Regular Cleaning

Use a soft cloth moistened with hand-warm mildly soapy water or household cleaning detergent. Never use metal pads, chemical, abrasive material or stiff brush to clean the unit.

II. Monthly Cleaning for Grease Filter

ESSENTIAL: Clean the filter every month can prevent any risk of fire.

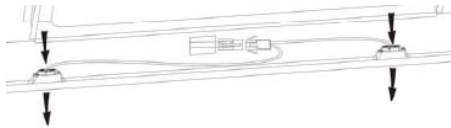
The filter collects grease, smoke and dust..... so the filter is directly affecting the efficiency of the cooker hood. If not cleaned, the grease residue (potential flammable) will saturate on the filter. Clean it with household cleaning detergent.

III. Annual Cleaning for Activated Carbon Filter

Apply SOLELY to unit that installed as a recirculation unit (not vented to the outside). This filter traps odors and must be replaced at least once a year depending on how frequent the cooker hood used.

IV. Changing a light bulb

Remove the screws on the glass, take off the hood glass. Find the bulb that requires replacement, you will find it located in the light fixture which is inside the exposed section of the canopy.



Disconnect the light wiring point and remove the bulb holders and wiring from the hood. Important: It's not possible to replace the bulbs individually, it will be necessary to obtain the bulbs, bulb holders and wiring as a complete part. (LED light: MAX 1.5W)

Fit the replacement bulbs, bulb holders and wiring in the same manners as the originals. Then reconnect the light wiring point.

Refit the hood glass and fasten the glass screws. Make sure the screws are fully tightened.

TROUBLESHOOTING

Fault	Cause	Solution
Light on, but fan does not work	The fan blade is jammed.	Switch off the unit and repair by qualified service personnel only.
	The motor is damaged.	
Both light and fan do not work	Halogen light bulb burn.	Replace the bulb with correct rating.
	Power cord looses.	Plug in to the power supply again.
Serious Vibration of the unit	The fan blade is damaged.	Switch of the unit and repair by qualified service personnel only.
	The fan motor is not fixed tightly.	Switch off the unit and repair by qualified service personnel only.
	The unit is not hung properly on the bracket.	Take down the unit and check whether the bracket is in proper location.
Suction performance not good	Too long distance between the unit and the cooking plane	Readjust the distance to 65-75cm

CUSTOMER ASSISTANCE SERVICE

If you cannot identify the cause of the operating anomaly, switch off the appliance and contact the Assistance Service.

PRODUCT SERIAL NUMBER. Where can I find it?

It is important you to inform the Assistance Service of your product code and its serial number (a 16 character code which begins with the number 3); this can be found on the guarantee certificate or on the data plate located on the appliance.

It will help to avoid wasted journeys to technicians, thereby (and most significantly) saving the corresponding callout charges.

This appliance is marked according to the European directive 2012/19/EU on Waste Electrical and Electronic Equipment (WEEE).

WEEE contains both polluting substances (which can cause negative consequences for the environment) and basic components (which can be re-used). It is important to have WEEE subjected to specific



treatments, in order to remove and dispose properly all pollutants, and recover and recycle all materials.

Individuals can play an important role in ensuring that WEEE does not become an environmental issue; it is essential to follow some basic rules:

WEEE should not be treated as household waste;

WEEE should be handed over to the relevant collection points managed by the municipality or by registered companies. In many countries, for large WEEE, home collection could be present.

In many countries, when you buy a new appliance, the old one may be returned to the retailer who has to collect it free of charge on a one-to-one basis, as long as the equipment is of equivalent type and has the same functions as the supplied equipment.

MANUAL DE INSTALACIÓN Y USO

CONTENIDO

INTRODUCCIÓN	22
PRECAUCIÓN DE SEGURIDAD	22
INSTALACIÓN ELÉCTRICA	24
ESPECIFICACIÓN	25
INSTALACIÓN (VENTILACIÓN EXTERIOR)	26
INSTALACIÓN (VENTILACIÓN EN EL INTERIOR)	35
DESCRIPCIÓN DE LOS COMPONENTES	36
FUNCIONAMIENTO	36
MANTENIMIENTO	37
SOLUCIÓN DE PROBLEMAS	38
CONFORMIDAD CON LAS DIRECTIVAS	38
PROTECCIÓN DEL MEDIO AMBIENTE	39

INTRODUCCIÓN

Gracias por elegir esta campana de cocina.

Este manual de instrucciones está diseñado para proporcionarle todo lo necesario con instrucciones relacionadas con la instalación, el uso y el mantenimiento del aparato. Con el fin de operar el aparato correctamente y con seguridad, por favor lea este manual de instrucciones cuidadosamente antes de la instalación y el uso.

La campana extractora utiliza materiales de alta calidad y está fabricada con un diseño aerodinámico. Equipada con un motor eléctrico de gran potencia y un ventilador centrífugo, también proporciona una fuerte potencia de succión, un funcionamiento de bajo ruido, un filtro de grasa antiadherente y una instalación de fácil montaje.

Declaramos, por nuestra cuenta responsabilidad, el cumplimiento de todos los requisitos europeos de seguridad, salud y medio ambiente establecidos en la legislación de este producto.

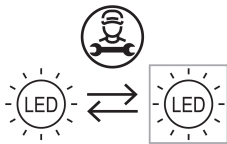
PRECAUCIÓN DE SEGURIDAD

- Nunca dejes que los niños operen la máquina.
- La campana extractora es sólo para uso doméstico, no es adecuada para barbacoas, asadores y otros fines comerciales.
- La campana extractora y su filtro deben ser limpiados regularmente para mantenerlos en buenas condiciones de funcionamiento.
- Limpie la campana extractora de acuerdo con el manual de instrucciones y evite que el aparato se queme.
- Prohíba el horneado directo de la cocina de gas. Por favor, mantenga una buena convección en la cocina.
- Antes de conectar el aparato, compruebe que el cable de alimentación no esté dañado. Un cable de alimentación dañado sólo debe ser sustituido por personal de servicio técnico cualificado.
- La habitación deberá estar suficientemente ventilada cuando la campana extractora se utilice al mismo tiempo que los aparatos de gas u otros combustibles;
- El aire no debe descargarse en una chimenea que se utilice para expulsar los gases de los aparatos que queman gas u otros combustibles;
- Deben cumplirse las normas relativas a la descarga de aire.
- Los niños deben ser supervisados para asegurarse de que no jueguen con el aparato.
- No flamee bajo la campana extractora.
- La campana extractora no está diseñada para ser instalada sobre una placa de cocina que tenga más de cuatro elementos.
- que haya una ventilación adecuada de la sala cuando la campana extractora se utilice al mismo tiempo que los aparatos de gas u otros combustibles (no aplicable a los aparatos que sólo devuelven el aire a la sala); los detalles relativos al método y la frecuencia de la limpieza

- existe un riesgo de incendio si la limpieza no se realiza de acuerdo con las instrucciones
- no encienda fuego bajo la campana de la cocina
- PRECAUCIÓN: Las partes accesibles pueden calentarse cuando se usan con aparatos de cocina.

Peligro de choque eléctrico

- Peligro de choque eléctrico
- Enchufe esta unidad sólo en una toma de corriente con conexión a tierra. En caso de duda, pida consejo a un ingeniero debidamente cualificado.
- El incumplimiento de estas instrucciones puede provocar la muerte, un incendio o una descarga eléctrica.



La lámpara utilizada en este producto no es adecuada para su uso en la iluminación de una

habitación. El propósito de esta lámpara es proporcionar iluminación para usar el producto.

Toda instalación debe ser realizada por una persona competente o un electricista cualificado. Antes de conectar la alimentación de la red, asegúrese de que la tensión de la red corresponda a la tensión que figura en la placa de características.

Conexión directa

El aparato debe conectarse directamente a la red eléctrica mediante un interruptor omnipolar con una apertura mínima de 3 mm entre los contactos.

El instalador debe asegurarse de que se ha realizado la conexión eléctrica correcta y que ésta se ajusta al esquema de cableado.

El cable no debe estar doblado ni comprimido.

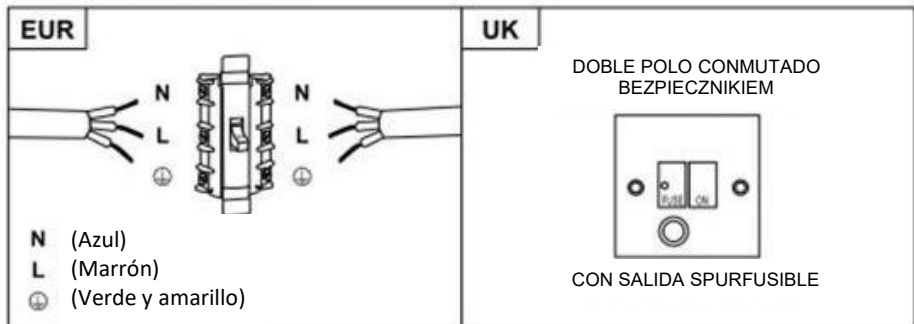
Compruebe regularmente que el enchufe y el cable de alimentación no estén dañados. Si el cable de alimentación está dañado, debe ser sustituido por un cable o conjunto especial disponible en el fabricante o su agente de servicio.

ADVERTENCIA: Este es un aparato de clase I y DEBE estar conectado a tierra. Este aparato se suministra con un cable de alimentación de 3 hilos del siguiente color:

Marrón = L o Vivo

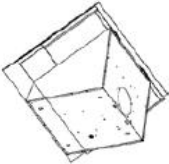









Azul = N o Neutro

Verde y amarillo = E o Tierra (⊕)



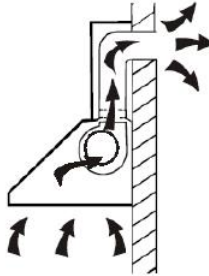
El fusible debe tener una capacidad de 3 amperios.

Lista de accesorios de instalación estándar

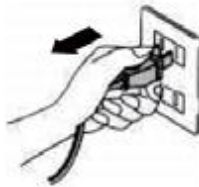
Espec.	Imagen	CANTIDAD
Cuerpo de la campana		1
Chimenea inferior (500mm)		1
Chimenea superior (500mm)		1
Soporte superior de la chimenea		1
El soporte inferior de la chimenea		1
Soporte de la campana de la cocina		1
φ8 taco φ8×φ6 color blanco		9
Tornillo (ST4 * 8 mm)		9
Tornillo (ST4 * 30 mm)		6
Salida de aire		1
Filtro de carbono		2

INSTALACIÓN (montaje en la pared)

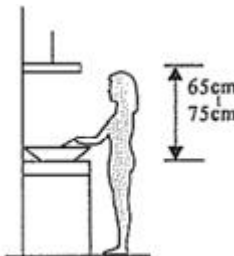
Si tiene una salida al exterior, su campana extractora puede ser conectada como en la foto de abajo por medio de un conducto de extracción (esmalte, aluminio, tubo flexible no inflamable con un diámetro interior de 150mm)



1. Antes de la instalación, apague la unidad y desenchúfela de la toma de corriente.

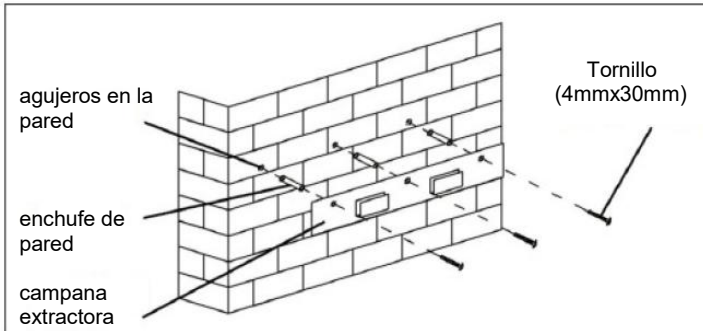


2. La campana extractora debe ser colocada a una distancia de 65~75cm sobre el plano de cocción para un mejor resultado.

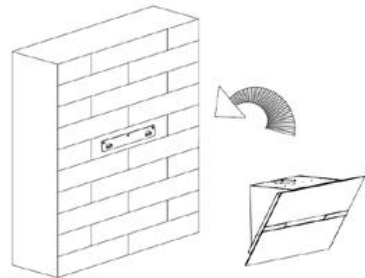


INSTALACIÓN DE LA CAMPANA

Coloca la campana a la altura deseada respetando la altura mínima sobre la placa. Marque la ubicación del soporte de pared. (Coloque los agujeros entre 700 y 800 mm por encima de la encimera) Retire la campana y coloque el soporte de pared para marcar la ubicación de los agujeros en la pared. Perfore los 3 agujeros de la pared para insertar el sistema de fijación adecuado (tornillo ST4x30mm).

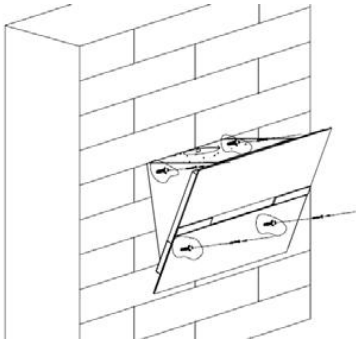


Cuelgue la campana en las muescas del soporte de la pared.

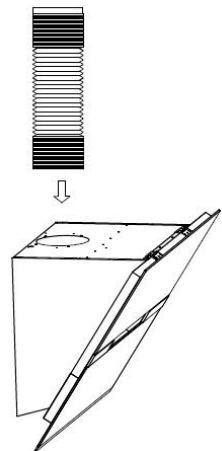


INSTALANDO LA CAMPANA

Una vez que la campana esté en su lugar, localice la ubicación de los 4 tornillos adicionales de montaje en la pared como se muestra en el siguiente diagrama. Retire la campana para perforar la pared e instale los tacos de la pared. Asegure el cuerpo de la campana con 4 tornillos de 4 mm de diámetro utilizando tacos adaptados a su pared.

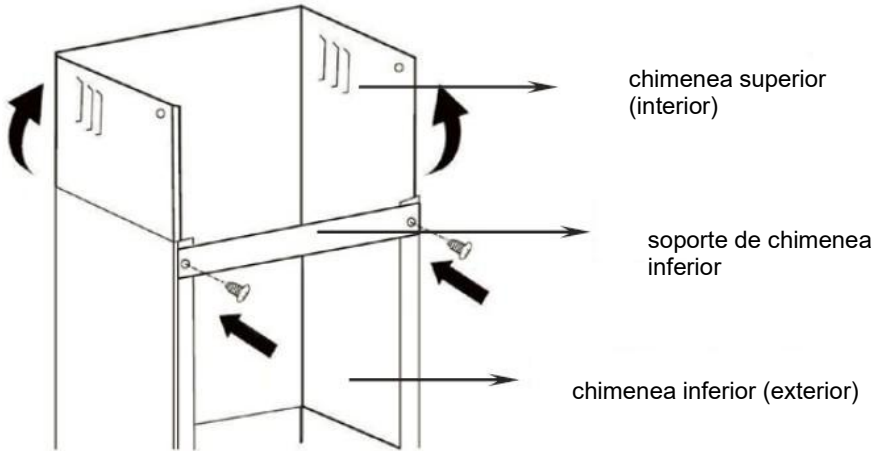


Si se selecciona el modo de extracción, coloque el conducto de aire de salida en la salida de aire como se muestra.

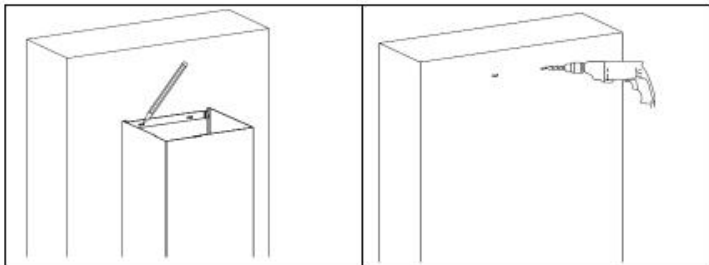


INSTALANDO LA CAMPANA

Ate el soporte de la chimenea inferior a la chimenea inferior como se muestra. Utilice 2 tornillos ST4x8mm. (No apriete demasiado los tornillos, asegúrese de que la chimenea superior pueda deslizarse fácilmente en la chimenea inferior) Inserte la chimenea superior en la chimenea inferior.



Coloca la chimenea inferior en el aparato y marca los agujeros en la pared.

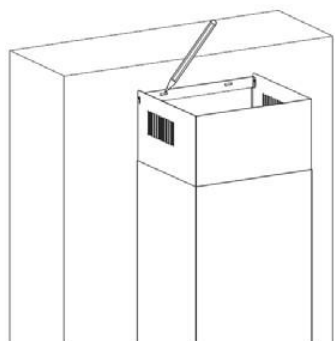
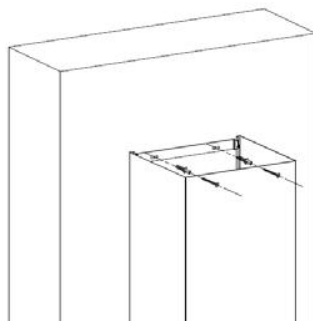


Quitar la chimenea inferior, y luego perforar los agujeros en la pared: agujero para el tornillo diámetro $\Phi 8$ mm

Use las clavijas adaptadas a su pared.

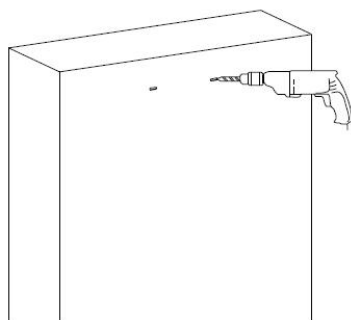
INSTALANDO LA CAMPANA

Instalar la chimenea inferior, luego atornillarla a la pared con 2 tornillos de diámetro Φ 8 mm.



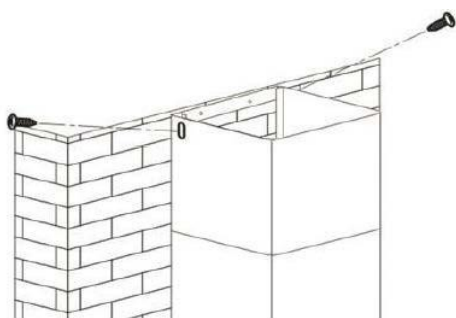
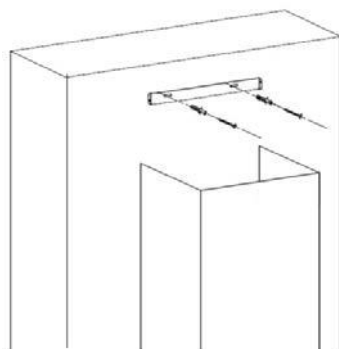
Luego tire de la chimenea superior hacia arriba hasta la altura deseada. Marque la ubicación de los agujeros de montaje del soporte de la chimenea superior.

Bajar la chimenea superior y luego hacer agujeros en la pared.
Inserte las clavijas adaptadas a su pared.



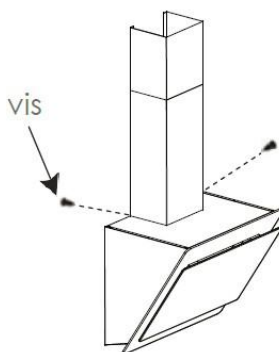
INSTALANDO LA CAMPANA

Asegure el soporte de la chimenea superior a la pared con los tacos seleccionados (se recomiendan tornillos de 8 mm).








Reensamblar la chimenea superior y fijarla al soporte de la pared con 2 tornillos ST4x8mm

Fijar la chimenea inferior a las lengüetas de la campana de la cocina con 2 tornillos ST4x8mm.



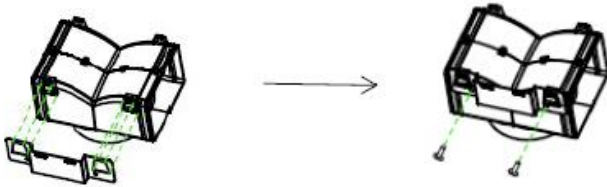
Lista de accesorios de instalación estándar

Espec.	Imagen	CANTIDAD
Deflector de aire		1
Soporte		1
φ8 tacos φ8×φ6 color blanco		2
Tornillos ST4.0×30		2
Tornillos ST3.5×12		2

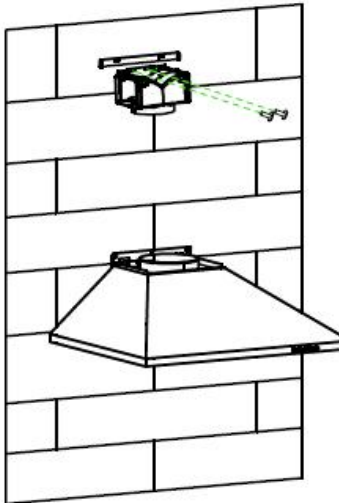
INSTALACIÓN (DEFLECTOR DE AIRE PARA MODELOS CON FORMA DE T, VIDRIO CURVO, VIDRIO PLANO):

El deflector de aire se menciona como incluido y no como opcional.

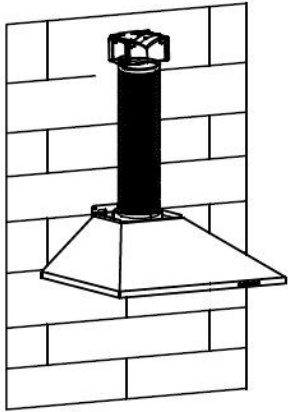
1. Fijar el soporte a la salida de plástico en forma de T con 2pcs ST3.5x12mms tornillos proporcionados como se muestra a continuación:



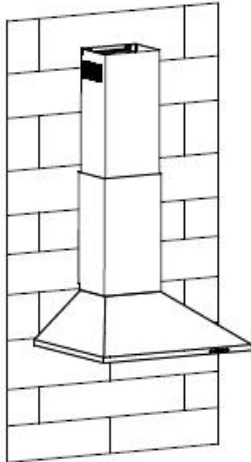
2. Taladrar 2 agujeros en la pared para acomodar los tacos, luego atornillar y apretar el soporte en la pared con 2 pcs de tornillos ST4x30mm provistos.



3. Coloque el tubo de extracción en la salida de aire de la campana extractora como se muestra a continuación:



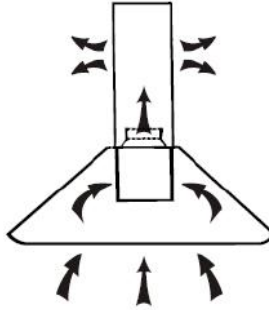
4. Instala la chimenea a la unidad y arrégla.



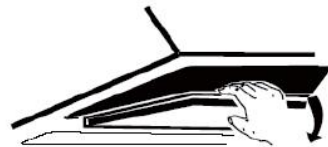
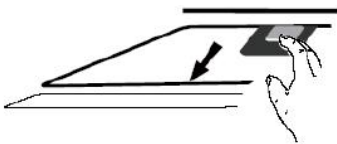
- "Por favor, tenga la amabilidad de tomar nota: La salida de plástico en forma de T y las aletas en V no pueden ser usadas al mismo tiempo. Puedes usarlas de dos maneras: 1) Agregar v-flap en la salida existente; 2) Usar la salida de plástico en forma de T, sin agregar v-flap."
- "Nota: El producto se suministra con el accesorio v-flap. Este accesorio no es obligatorio para la instalación, operación y uso del producto".

INSTALACIÓN (VENTILACIÓN EN EL INTERIOR)

Si no tiene una salida al exterior, no se requiere un tubo de escape y la instalación es similar a la que se muestra en la sección "INSTALACIÓN (SALIDA AL EXTERIOR)".



El filtro de carbón activado puede utilizarse para atrapar olores. Para instalar el filtro de carbón activado, primero hay que quitar el filtro de grasa. Presione el bloqueo y tire de él hacia abajo.



Enchufe el filtro de carbón activado en la unidad y gírelo en el sentido de las agujas del reloj. Repita lo mismo en el otro lado.



KIERUNEK ZAMYKANIA

NOTA:

- *Asegúrate de que el filtro esté bien cerrado. De lo contrario, se aflojaría y sería peligroso.*
- *Cuando el filtro de carbón activado está conectado, la potencia de succión será menor.*

Operación

1 2 3 B 

FUNCIONAMIENTO

MODO DE ESPERA.

Después de enchufar, todas las luces, sistema en MODO DE ESPERA.

1 Botón de baja velocidad
Se usa para ventilación en la cocina. Es adecuado para hervir a fuego lento y cocina que no hace mucho vapor.

2 Botón de velocidad media
La velocidad del flujo de aire es ideal para la ventilación en la operación de cocción estándar.

3 Botón de alta velocidad
Cuando se produce una alta densidad de humo o vapor, presione el botón de alta velocidad para una ventilación altamente efectiva.

B Función Booster
Esta campana dispone de una función Booster. Para activar el booster, pulsar B hasta la velocidad 4, pulsar la velocidad máxima mientras la campana está funcionando y aumentará la velocidad durante 5 minutos, antes de volver a la velocidad inicial.

 **Botón de luz**
Botón de luz para encender y apagar la luz.

Temporizador rápido: mantenga presionado el botón de luz durante 3 segundos, los botones de velocidad del ventilador parpadearán y en una cuenta regresiva de 5 minutos, después de 5 minutos, el motor y la luz se apagarán automáticamente con tres sonidos de zumbador.

MANTENIMIENTO

Antes de la limpieza, apague la unidad y saque el enchufe.

I. Limpieza regular

Use un paño suave humedecido con agua jabonosa tibia o detergente de limpieza para el hogar. Nunca use almohadillas metálicas, químicas, abrasivas material o un cepillo rígido para limpiar la unidad.

II. Limpieza mensual del filtro de grasa

ESENCIAL: Limpiar el filtro cada mes puede prevenir cualquier riesgo de incendio.

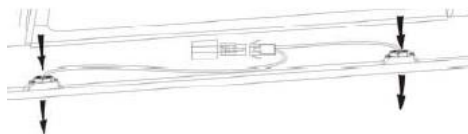
El filtro recoge la grasa, el humo y el polvo... por lo que el filtro afecta directamente a la eficiencia de la campana extractora. Si no se limpia, los residuos de grasa (potencialmente inflamables) se saturarán en el filtro. Límpielo con un detergente de limpieza doméstico.

III. Limpieza anual del filtro de carbón activado

Aplicar SOLAMENTE a la unidad que se instaló como unidad de recirculación (no ventilada al exterior). Este filtro atrapa los olores y debe ser reemplazado al menos una vez al año dependiendo de la frecuencia con la que la campana de la cocina se utiliza.

IV. Cambiar una bombilla

Quita los tornillos del cristal, quita el cristal de la campana. Encuentra la bombilla que requiere ser reemplazada, la encontrarás ubicada en la lámpara que está dentro de la sección expuesta del capó.



Desconecte el punto de cableado de la luz y retire los soportes de la bombilla y el cableado de la campana. Importante: No es posible reemplazar las bombillas individualmente, será necesario obtener las bombillas, los portalámparas y el cableado como una pieza completa. (Luz LED: MAX 1.5W)

Coloca las bombillas de repuesto, los portalámparas y el cableado de la misma manera que los originales. Luego reconecte el punto de cableado de la luz.

Vuelva a colocar el vidrio de la campana y apriete los tornillos del vidrio. Asegúrate de que los tornillos estén completamente apretados.

SOLUCIONADOR DE PROBLEMAS

FALLO	CAUSA	SOLUCION
La luz se enciende, pero el ventilador no funciona	La aspa del ventilador está atascada.	Apague la unidad y repárela sólo por personal de servicio calificado.
	El motor está dañado.	
Tanto la luz como el ventilador no funcionan	Se queman las bombillas halógenas.	Reemplaza la bombilla con la clasificación correcta.
	El cable de alimentación se suelta.	Enchúfalo a la fuente de alimentación de nuevo.
Vibración grave de la unidad	La aspa del ventilador está dañada.	Cambio de la unidad y reparación por personal de servicio calificado solamente.
	El motor del ventilador no está bien fijado.	Apague la unidad y repárela sólo por personal de servicio calificado.
	La unidad no está bien colgada en el soporte.	Desmonta la unidad y comprueba si el soporte está en su sitio.
El rendimiento de la succión no es bueno	Demasiada distancia entre la unidad y el plano de succión	Reajuste la distancia a 65-75cm

SERVICIO DE ASISTENCIA AL CLIENTE

Si no puede identificar la causa de la anomalía de funcionamiento, apague el aparato y póngase en contacto con el Servicio de Asistencia.

NÚMERO DE SERIE DEL PRODUCTO. ¿Dónde puedo encontrarlo?

Es importante que comunique al Servicio de Asistencia el código del producto y su número de serie (un código de 16 caracteres que comienza con el número 3); éste se encuentra en el certificado de garantía o en la placa de datos situada en el aparato.

Esto ayudará a evitar viajes inútiles a los técnicos, ahorrando así (y lo que es más importante) los correspondientes gastos de llamada.

Este aparato está marcado de acuerdo con la directiva europea 2012/19/UE sobre residuos de aparatos eléctricos y electrónicos (RAEE).



Los RAEE contienen ambas sustancias contaminantes (que pueden causar consecuencias negativas para el medio ambiente) y componentes básicos (que pueden ser reutilizados). Es importante que los RAEE se sometan a unapara

eliminar y eliminar adecuadamente todos los contaminantes, y recuperar y reciclar todos los materiales.

Los individuos pueden desempeñar un papel importante para asegurar que los RAEE no se conviertan en un problema ambiental; es esencial seguir algunas reglas básicas:

Los RAEE no deben tratarse como residuos domésticos; Los RAEE deben entregarse en los puntos de recogida correspondientes gestionados por el municipio o por empresas registradas. En muchos países, en el caso de los RAEE de gran tamaño, la recogida domiciliaria podría estar presente.

En muchos países, cuando se compra un nuevo aparato, el antiguo puede devolverse al minorista, que debe recogerlo gratuitamente en forma individual, siempre que el aparato sea de tipo equivalente y tenga las mismas funciones que el suministrado.

INSTRUKCJA OBSŁUGI I INSTALACJI

SPIS TREŚCI

WPROWADZENIE	41
ŚRODKI OSTROŻNOŚCI	41
INSTALACJA ELEKTRYCZNA	43
SPECYFIKACJA TECHNICZNA	44
INSTALACJA (OBIEG OTWARTY)	45
INSTALACJA (OBIEG ZAMKNIĘTY)	54
OPIS FUNKCJI PANELU STEROWANIA	55
DZIAŁANIE	55
KONSERWACJA	56
ROZWIĄZYWANIE PROBLEMÓW	57
ZGODNOŚĆ Z DYREKTYWAMI	57
OCHRONA ŚRODOWISKA	58

WPROWADZENIE

Dziękujemy za wybranie tego okapu kuchennego.

Niniejsza instrukcja obsługi zawiera wszystkie niezbędne wskazówki związane z instalacją, użytkowaniem i konserwacją urządzenia.

W celu prawidłowej obsługi urządzenia i zapewnienia bezpieczeństwa, przed instalacją i rozpoczęciem użytkowania należy uważnie przeczytać instrukcję obsługi.

Okap kuchenny został wykonany z materiałów wysokiej jakości i posiada minimalistyczny kształt. Został wyposażony w silnik elektryczny o dużej mocy oraz wentylator promieniowy, które zapewniają dużą moc ssania i cichą pracę, a także filtr przeciwtłuszczowy z nieprzywierającą powłoką. Jest łatwy w montażu.

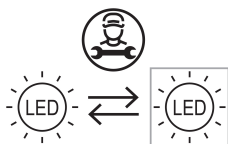
ZASADY BEZPIECZEŃSTWA

- Nie wolno pozwalać dzieciom na obsługiwanie urządzenia.
- Okap kuchenny jest przeznaczony wyłącznie do użytku domowego; nie nadaje się do stosowania nad grillem, opiekaczem czy do celów komercyjnych.
- Aby utrzymać okap kuchenny w dobrym stanie, obudowa i filtr powinny być regularnie czyszczone.
- Okap kuchenny należy czyścić zgodnie z instrukcją obsługi i zabezpieczyć go przed działaniem płomieni.
- Należy bezwzględnie chronić okap przedwysoką temperaturą płyty gazowej. Należy zadbać o dobrą wentylację w pomieszczeniu kuchennym.
- Przed podłączeniem urządzenia sprawdzić, czy przewód zasilający nie jest uszkodzony. Uszkodzony przewód zasilający może wymienić wyłącznie wykwalifikowany personel serwisu technicznego.
- Należy zapewnić odpowiednią wentylację pomieszczenia, gdy w tym samym czasie co okap kuchenny używane jest inne urządzenie spalające gaz lub inne paliwo;
- Wylot okapu nie może być podłączony do komina, który jest używany do odprowadzania spalin z urządzeń spalających gaz lub inne paliwa;
- Należy zapewnić zgodność z przepisami dotyczącymi odprowadzania powietrza.
- Dzieci powinny znajdować się pod ciągłym nadzorem, aby mieć pewność, że nie bawią się urządzeniem.
- Pod okapem nie wolno flambirować potraw.
- Okap kuchenny nie jest przeznaczony do montażu nad płytą kuchenną posiadającą więcej niż cztery elementy grzewcze.

- W pomieszczeniu należy zapewnić odpowiednią wentylację, gdy okap kuchenny jest używany w tym samym czasie, co urządzenia spalające gaz lub inne paliwa (nie dotyczy tylko okapów odprowadzających powietrze z powrotem do pomieszczenia);
- Należy przestrzegać instrukcji dotyczących metod i częstotliwości czyszczenia.
- Nieprzestrzeganie instrukcji czyszczenia może doprowadzić do wybuchu pożaru.
- Nie używać otwartego ognia pod okapem.
- **ZACHOWAJ OSTROŻNOŚĆ:** Dostępne części mogą się nagrzewać pod wpływem działania innych urządzeń do gotowania.

Zagrożenie porażeniem prądem

- Podłączać urządzenie tylko do prawidłowo uziemionego gniazdka. W razie wątpliwości należy zasięgnąć porady fachowca z odpowiednimi uprawnieniami.
- Nieprzestrzeganie powyższych wskazówek może spowodować śmierć, pożar lub porażenie prądem.



Lampa zastosowana w tym produkcie nie nadaje się do oświetlenia pomieszczenia.

Zadaniem tej lampy jest zapewnienie oświetlenia podczas użytkowania produktu.

Cała instalacja musi być wykonana przez kompetentną osobę lub wykwalifikowanego elektryka. Przed podłączeniem zasilania sieciowego upewnij się, że napięcie sieciowe odpowiada napięciu na tabliczce znamionowej.

Bezpośrednie podłączenie do zasilania

Urządzenie należy podłączyć bezpośrednio do zasilania za pomocą wyłącznika wielobiegunowego z minimalnym odstępem 3 mm między stykami.

Instalator musi upewnić się, że połączenie elektryczne wykonano prawidłowo, i że jest ono zgodne ze schematem elektrycznym.

Kabel nie może być zgięty ani przygnieciony.

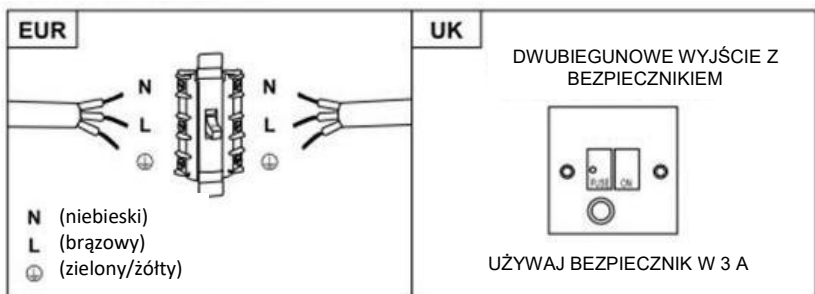
Regularnie sprawdzaj wtyczkę i przewód zasilający pod kątem uszkodzeń. Jeśli przewód zasilający jest uszkodzony, należy go wymienić na specjalny przewód lub zestaw dostępny u producenta lub jego przedstawiciela serwisowego.

OSTRZEŻENIE: Urządzenie należy do Klasy I i MUSI być uziemione. Urządzenie jest dostarczane z 3-żyłowym kablem zasilającym, z żyłami w następujących kolorach:

Brązowy = L lub pod napięciem

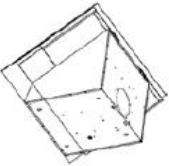





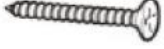



Niebieski = N lub neutralny

Zielony i żółty = E lub uziemiający (⊕)



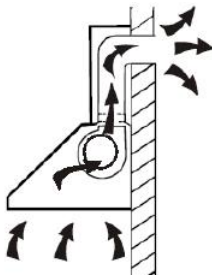
Bezpiecznik musi mieć wartość znamionową 3 A.

Lista standardowych akcesoriów instalacyjnych

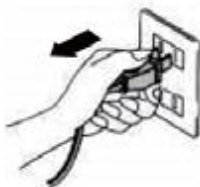
Część	Ilustracja	Ilość
Obudowa okapu		1
Górny przewód kominowy (500mm)		1
Dolny przewód kominowy (500mm)		1
Wspornik górnego przewodu kominowego		1
Wspornik dolnego przewodu kominowego		1
Wspornik do okapu		1
Kołki rozporowe $\varnothing 8/6$ mm białe		9
Wkręty (ST4.0 * 30 mm)		9
Wkręty (ST4.0 * 8 mm)		6
Wylot powietrza		1
Filtr węglowy		2

INSTALACJA (montaż ścienny)

Jeśli posiadasz możliwość odprowadzenia powietrza na zewnątrz, okap kuchenny można podłączyć w sposób pokazany poniżej, tj. za pomocą przewodu wentylacyjnego (emaliowanego, z aluminium lub w formie elastycznej rury z materiału niepalnego o średnicy wewnętrznej 150 mm).



1. Przed instalacją wyłącz urządzenie i wyjmij wtyczkę z gniazdka.



2. Aby uzyskać najlepszą skuteczność, okap kuchenny powinien być umieszczony w odległości 65 ~ 75 cm nad płytą do gotowania.

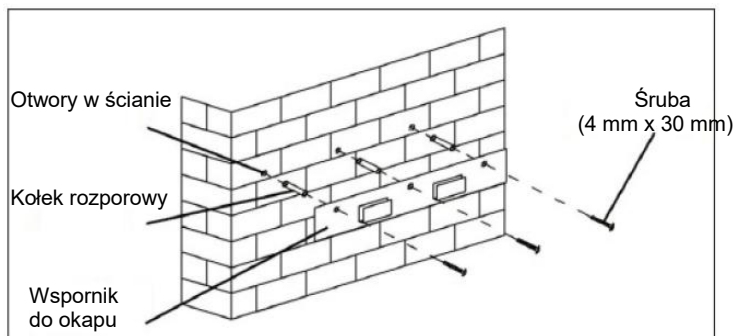


INSTALACJA OKAPU

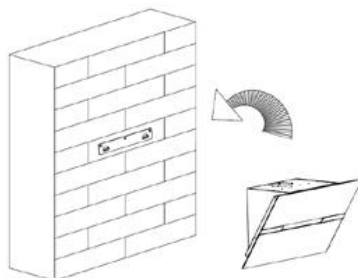
Ustaw okap na żądanej wysokości z zachowaniem minimalnej wysokości nad płytą kuchenną.

Zaznacz położenie wspornika ściennego. (Umieść otwory między 700 a 800 mm nad blatem) Zdejmij okap i umieść wspornik ścienny, aby zaznaczyć położenie otworów w ścianie.

Wywierć 3 otwory w ścianie, aby wprowadzić odpowiedni system mocowania (śruba ST4x30mm).



Zawieś okap na rowkach wspornika ściennego.

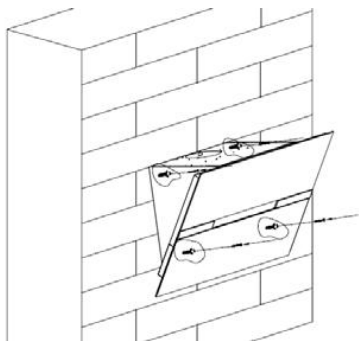


INSTALACJA OKAPU

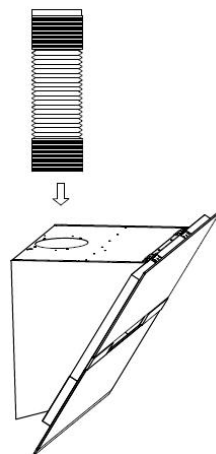
Po założeniu okapu zlokalizuj położenie 4 dodatkowych śrub do montażu na ścianie, jak pokazano na poniższym schemacie.

Zdejmij okap, aby wywiercić otwory w ścianie i zainstaluj kołki rozporowe.

Przymocuj korpus okapu 4 śrubami o średnicy 4 mm za pomocą kołków dostosowanych do rodzaju ściany.



Jeśli wybrano połączenie do systemu wentylacyjnego, umieść przewód powietrza wywiewanego na wylocie powietrza, jak pokazano na rysunku.



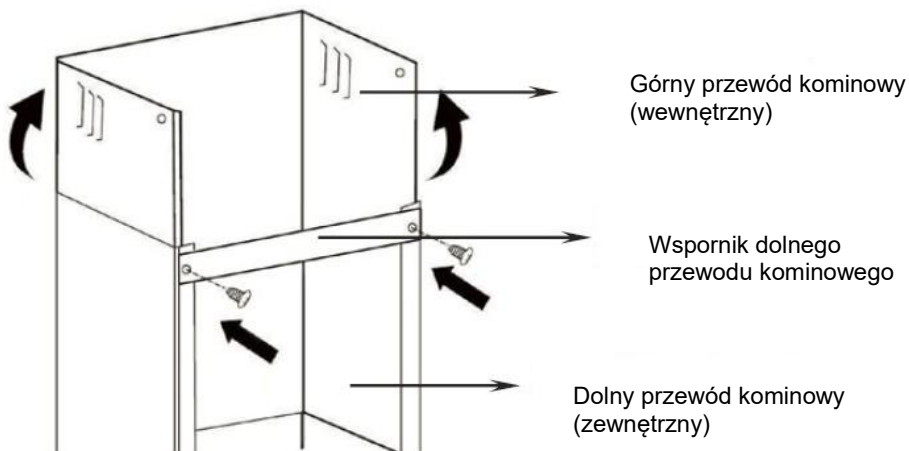
INSTALACJA OKAPU

Przymocuj wspornik dolnego przewodu kominowego do dolnego przewodu kominowego, jak pokazano na rysunku.

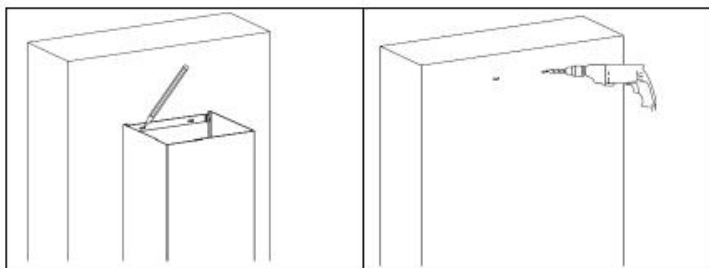
Użyj 2 śrub ST4x8mm.

(Nie dokręcaj zbyt mocno śrub, upewnij się, że górny przewód kominowy może łatwo wsunąć się w dolny przewód kominowy).

Włóż górny przewód kominowy do dolnego przewodu kominowego.



Umieść dolny przewód kominowy w urządzeniu, a następnie zaznacz miejsca otwory na ścianie.

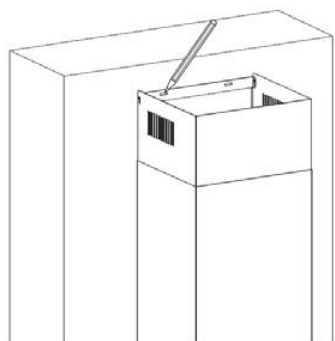
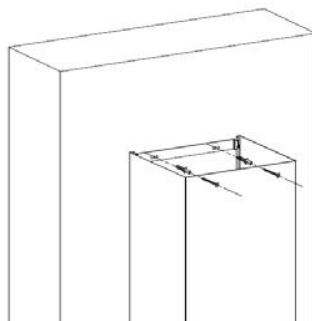


Zdejmij dolny przewód kominowy, a następnie wywierć otwory w ścianie: otwór na śrubę o średnicy $\Phi 8$ mm

Użyj kołków dostosowanych do rodzaju ściany.

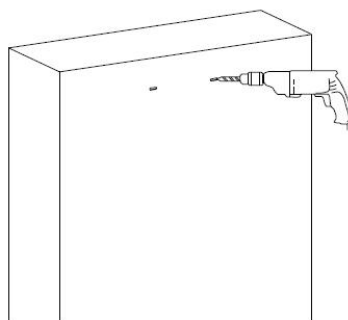
INSTALACJA OKAPU

Zamontuj dolny przewód kominowy, a następnie przykręć go do ściany 2 śrubami o średnicy Φ 8 mm.



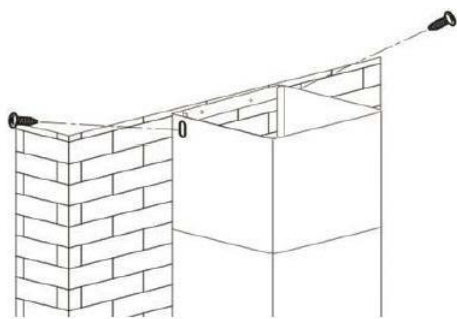
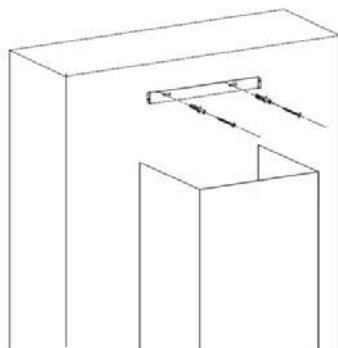
Następnie pociągnij górny przewód kominowy do góry na żądaną wysokość. Zaznacz położenie otworów montażowych wspornika górnego przewodu kominowego.

Opuść górny przewód kominowy, a następnie wywierć otwory w ścianie. Włóż kołki dostosowane do Twojej ściany



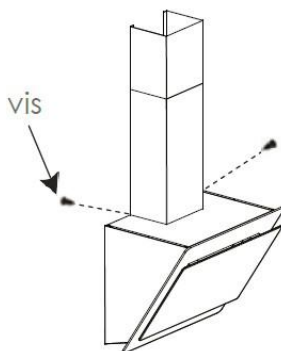
INSTALACJA OKAPU

Przymocuj wspornik górnego przewodu kominowego do ściany za pomocą wybranych kołków (zalecane śruby 8 mm).








Zmontuj górny przewód kominowy i przymocuj go do wspornika ściennego za pomocą 2 śrub ST4x8mm

Dolny przewód kominowy przymocuj do występów okapu za pomocą 2 śrub ST4x8mm.



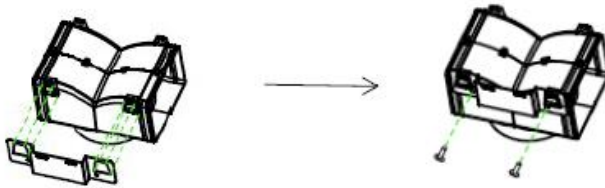
Lista standardowych akcesoriów instalacyjnych

Część	Ilustracja	Ilość
Deflektor		1
Wspornik		1
Kołki rozporowe ø8/6 mm białe		2
Wkręty ST4.0×30		2
Wkręty ST3.5×12		2

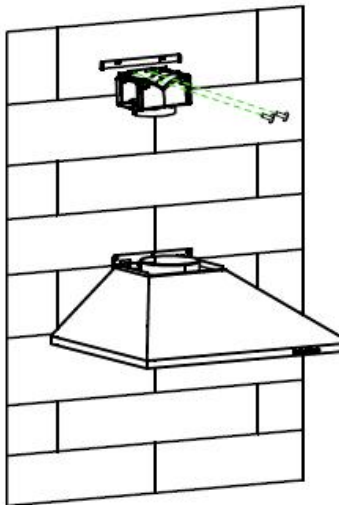
INSTALACJA (DEFLEKTOR DO MODELI T-SHAPE, CURVED GLASS, FLAT GLASS)

Deflektor jest dołączony do urządzenia, a jego instalacja nie jest opcjonalna.

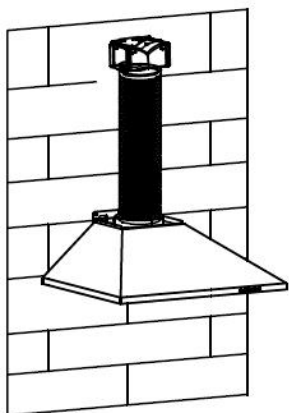
1. Zamocuj wspornik do plastikowego wylotu w kształcie litery T za pomocą 2 dostarczonych śrub ST3,5x12mm jak pokazano poniżej.



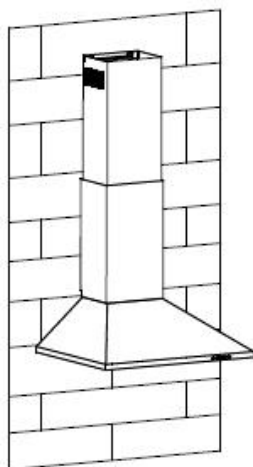
2. Wywierć 2 otwory pod kołki rozporowe, a następnie przykręć i dokręć wspornik do ściany za pomocą 2 dostarczonych śrub ST4x30mm



3. Zamocuj rurę na wylocie powietrza, jak pokazano poniżej:



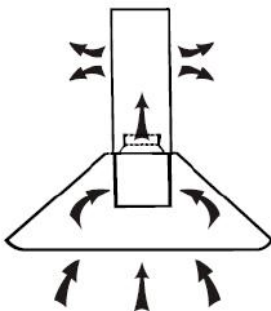
4. Zamontuj przewód kominowy na urządzeniu i zamocuj go.



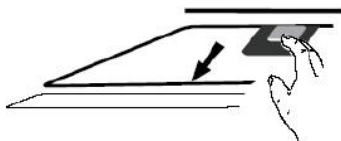
- Uwaga: Plastikowy wylot w kształcie litery T i kłapy w kształcie litery V nie mogą być zamontowane jednocześnie. Możesz użyć tych elementów na dwa różne sposoby: 1) Zamontuj kłapy w kształcie litery V na istniejącym wylocie powietrza; 2) Użyj plastikowego wylotu w kształcie litery T nie instalując kłapy w kształcie litery V.
- Uwaga: Produkt jest dostarczany z kłapą w kształcie litery V. Element ten nie musi być zainstalowany, aby urządzenie działało w prawidłowy sposób.

INSTALACJA (OBIEG ZAMKNIĘTY)

Jeśli nie posiadasz systemu odprowadzania powietrza na zewnątrz pomieszczenia, rura wentylacyjna nie jest potrzebna, choć montaż przebiega podobnie do pokazanego w sekcji „INSTALACJA (WENTYLACJA NA ZEWNĄTRZ)”.



Do wychwytywania zapachów może być wykorzystany filtr węglowy. Aby zainstalować filtr zawierający węgiel aktywny, najpierw należy usunąć filtr przeciwtłuszczowy. Naciśnij blokadę i pociągnij w dół.



Podłącz filtr węglowy do urządzenia i obróć go w kierunku zgodnym z ruchem wskazówek zegara. Powtórz to samo po drugiej stronie.



KIERUNEK ZAMYKANIA

UWAGA:

- *Upewnij się, że filtr został bezpiecznie zablokowany. W przeciwnym razie może się poluzować i zagrazić bezpieczeństwu.*
- *Po podłączeniu filtra z węglem aktywnym moc zassania będzie niższa.*

OPIS FUNKCJI PANELU STEROWANIA

1 2 3 B 

DZIAŁANIE

TRYB CZUWANIA.

Po podłączeniu całe oświetlenie, system w **TRYBIE GOTOWOŚCI**.

1 Przycisk niskiej prędkości
Służy do wentylacji w kuchni. Nadaje się do gotowania na wolnym ogniu i gotowanie, które nie wytwarza dużej ilości pary.

2 Przycisk średniej prędkości
Prędkość przepływu powietrza idealnie nadaje się do wentylacji podczas standardowego gotowania.

3 Przycisk wysokiej prędkości
Gdy powstaje duża gęstość dymu lub pary, naciśnij przycisk szybkiego przełączania, aby uzyskać wysoką efektywną wentylację.

B Booster funkcja
Za aktywacji Booster funkcje, pritisnite **B** za odabir brzine 4, napa će raditi najvećom brzinom 5 minuta, nakon čega se vraća na uobičajenu brzinu.



Światło

Krótką prasa do oświetlenia na &off

Szybki timer: przytrzymaj przycisk światła i przytrzymaj przez 3 sekundy, przyciski prędkości wentylatora będą migać i odliczać do 5 minut, po 5 minutach silnik i światło wyłączą się automatycznie z trzema dźwiękami brzęczyka

KONSERWACJA

Przed czyszczeniem wyłącz urządzenie i wyciągnij wtyczkę z gniazdka.

I. Codzienne czyszczenie

Używaj miękkiej szmatki zwilżonej letnią wodą z niewielkim dodatkiem mydła lub domowego środka czyszczącego. Nigdy nie używaj do czyszczenia urządzenia metalowych gąbek, środków chemicznych i materiałów ściernych ani ostrych szczotek.

II. Comiesięczne czyszczenie filtra przeciwtłuszczowego

WAŻNE: Czyść filtr co miesiąc, aby wyeliminować ryzyko pożaru.

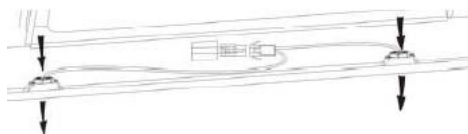
Filtr zbiera tłuszcz, dym i kurz - ma więc bezpośredni wpływ na wydajność okapu kuchennego. Jeśli nie zostanie oczyszczony, pozostałości tłuszczu (potencjalnie łatwopalne) nagromadzą się na filtrze. Oczyszć go za pomocą domowego detergentu do czyszczenia.

III. Coroczne czyszczenie filtra węglowego

Dotyczy WYŁĄCZNIE urządzeń, które zostały zainstalowane jako urządzenie recykulacyjne (nie odprowadzające powietrza na zewnątrz). Filtr ten zatrzymuje zapachy i należy go wymieniać co najmniej raz w roku, w zależności od częstotliwości używania okapu kuchennego.

IV. Wymiana żarówki

Odkręć śruby na szybie, zdejmij szybę z okapu. Znajdź żarówkę, która wymaga wymiany, znajdziesz ją w oprawie, która znajduje się wewnątrz odsłoniętej części daszka.



Odłącz punkt podłączenia kabla i wyjmij oprawki żarówek i przewody z maski. **Ważne:** wymiana pojedynczych żarówek nie jest możliwa, konieczne będzie zakupienie żarówek, oprawek i okablowania w zestawie. (Światło LED: MAX 1,5 W)

Zamontuj nowe żarówki, oprawki żarówek i okablowanie w taki sam sposób jak oryginały. Następnie podłącz ponownie kabel.

Ponownie załóż szybę okapu i przykręć śruby. Upewnij się, że śruby są dobrze dokręcone.

ROZWIĄZYWANIE PROBLEMÓW

Usterka	Przyczyna	Rozwiązanie
Światło świeci, ale wentylator nie działa	Łopatką wentylatora jest zablokowana.	Wyłącz urządzenia - naprawa może być wykonana wyłącznie przez wykwalifikowany personel serwisowy.
	Silnik jest uszkodzony.	
Zarówno światło, jak i wentylator nie działają	Żarówka jest przepalona	Wymień żarówkę na właściwą.
	Przewód zasilający jest poluzowany.	Podłącz ponownie do źródła zasilania.
Poważne wibracje urządzenia	Łopatką wentylatora jest uszkodzona.	Wyłącz urządzenia - naprawa może być wykonana wyłącznie przez wykwalifikowany personel serwisowy.
	Silnik wentylatora nie jest solidnie zamocowany.	Wyłącz urządzenia - naprawa może być wykonana wyłącznie przez wykwalifikowany personel serwisowy.
	Urządzenie nie jest prawidłowo zawieszona na wsporniku.	Zdejmij urządzenie i sprawdź, czy wspornik znajduje się we właściwym miejscu.
Wydajność ssania nie jest dobra	Zbyt duża odległość między urządzeniem a płytą grzewczą	Ponownie ustaw odległość na 65-75 cm

SERWIS TECHNICZNY DLA KLIENTA

Jeśli nie możesz zidentyfikować przyczyny nieprawidłowego działania urządzenia, wyłącz je i skontaktuj się z serwisem technicznym.

NUMER SERYJNY PRODUKTU. Gdzie mogę to znaleźć?

Ważne jest, aby podać kodu produktu i jego numer seryjny (16-cyfrowy kod rozpoczynający się cyfrą 3) serwisowi technicznemu; można go znaleźć na karcie gwarancyjnej lub na tabliczce znamionowej umieszczonej na urządzeniu. Pomoże to uniknąć marnowania czasu na podróże techników i (co najważniejsze) obniży opłaty za wezwanie.

Niniejsze urządzenie jest oznakowane zgodnie z europejską dyrektywą 2012/19/UE w sprawie zużytego sprzętu elektrycznego i elektronicznego (en. WEEE).

ZSEE obejmuje zarówno substancje zanieczyszczające (mogące powodować negatywne skutki dla środowiska), jak i podstawowe komponenty (które mogą być ponownie wykorzystane). Ważne jest poddanie ZSEE określonej obróbce w celu usunięcia i właściwej utylizacji wszystkich zanieczyszczeń oraz odzyskania i recyklingu wszystkich materiałów.



Osoby fizyczne mogą odegrać ważną rolę w zapewnieniu, że ZSEE nie stanie się problemem środowiskowym; konieczne jest przestrzeganie kilku podstawowych zasad:

ZSEE nie powinien być traktowany jako odpad z gospodarstwa domowego;

ZSEE należy przekazać do odpowiednich punktów zbiórki zarządzanych przez gminę lub zarejestrowane firmy. W wielu krajach w przypadku ZSEE o dużych gabarytach możliwy jest odbiór z domu.

W wielu krajach przy zakupie nowego urządzenia stare urządzenie można zwrócić sprzedawcy, który musi je bezpłatnie odebrać na zasadzie odbioru indywidualnego, o ile sprzęt jest tego samego typu i spełnia te same funkcje jak dostarczony sprzęt.

MANUAL DE INSTALAÇÃO E UTILIZADOR

CONTEÚDOS

APRESENTAÇÃO	60
PRECAUÇÃO DE SEGURANÇA	60
Instalação Elétrica.....	62
INSTALAÇÃO (montagem mural).....	63
INSTALAÇÃO DO EXAUSTOR.....	64
Lista de Acessórios de Instalação Padrão.....	70
INSTALAÇÃO (DEFLETOR DE AR PARA MODELOS EM T, VIDRO CURVO, VIDRO PLANO):	71
INSTALAÇÃO (VENTILAÇÃO INTERNA)	73
DESCRIÇÃO DOS COMPONENTES	74
OPERAÇÃO	74
MANUTENÇÃO	75
RESOLUÇÃO DE PROBLEMAS	76
SERVIÇO DE ASSISTÊNCIA AO CLIENTE	76

APRESENTAÇÃO

Obrigado por ter escolhido este exaustor.

Este manual de instruções foi desenhado para fornecer todas as instruções necessárias relacionadas com a instalação, utilização e manutenção do aparelho. Para operar a unidade corretamente e em segurança, leia este manual de instruções atentamente antes da instalação e utilização.

O exaustor utiliza materiais de alta qualidade e é fabricado com um design aerodinâmico. Equipado com motor elétrico de grande potência e ventilador centrífugo, fornece grande potência de sucção, operação de baixo ruído, filtro de gordura antiaderente e facilidade de montagem.

PRECAUÇÃO DE SEGURANÇA

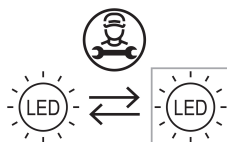
- Não deixe uma criança mexer na máquina.
- O exaustor é apenas para uso doméstico, não é apropriado para churrasqueiras, charcutarias ou outros usos comerciais.
- O exaustor e o seu filtro de malha devem ser limpos regularmente para manter o aparelho em boas condições de funcionamento.
- Limpe o exaustor de acordo com o manual de instruções e evite assim o risco de ocorrência de queimaduras.
- Não cozinhe diretamente no fogão a gás. Mantenha uma boa convecção na cozinha.
- Antes de ligar este aparelho, verifique se o cabo de alimentação não está danificado. Um cabo de alimentação danificado deve ser substituído apenas por pessoal de serviço qualificado.
- Deve existir ventilação adequada quando o exaustor for usado ao mesmo tempo que os aparelhos que queimam gás ou outros combustíveis;
- A descarga do ar não deve ser para um tubo usado para exaustão de fumo de aparelhos que queimam gás ou outros combustíveis;
- Os regulamentos relativos a descarga de ar devem ser cumpridos.

- As crianças devem ser supervisionadas para garantir que não brincam com o equipamento.
- Não flamejar alimentos por baixo do exaustor.

- O exaustor não se destina a ser instalado sobre uma placa com mais de quatro elementos de fogão
 - Estes devem ter ventilação adequada da sala quando o exaustor é usado ao mesmo tempo que aparelhos que queimam gás ou outros combustíveis (não aplicável a aparelhos que apenas descarregam o ar de volta para a sala);
 - detalhes relativos ao método e à frequência da limpeza.
 - existe risco de incêndio se a limpeza não for realizada de acordo com as instruções;
 - não faça chamas debaixo do exaustor;
 - CUIDADO: As peças acessíveis podem ficar quentes quando usadas com aparelhos de cozinha.

Perigo de choque elétrico

- Ligue esta unidade a uma tomada devidamente ligada à terra. Em caso de dúvida, procure a ajuda de um engenheiro qualificado.
- O não cumprimento destas instruções pode resultar em morte, incêndio ou choque elétrico.



A lâmpada usada neste produto não é adequada para uso na iluminação de uma sala.

O objetivo desta lâmpada é fornecer iluminação para uso do produto.

Instalação Elétrica

Todo o trabalho de instalação deve ser realizado por um técnico ou por um eletricista qualificado. Antes de fazer a ligação à corrente elétrica, deve assegurar-se de que a tensão elétrica corresponde à tensão indicada na placa de identificação.

Ligação Direta

O aparelho deve ser ligado diretamente à rede elétrica utilizando um disjuntor omnipolar com uma abertura mínima de 3 mm entre os contactos.

O instalador deve garantir que foi efetuada uma ligação elétrica correta e em conformidade com o esquema de cablagem.


O cabo não deve ser dobrado ou comprimido.

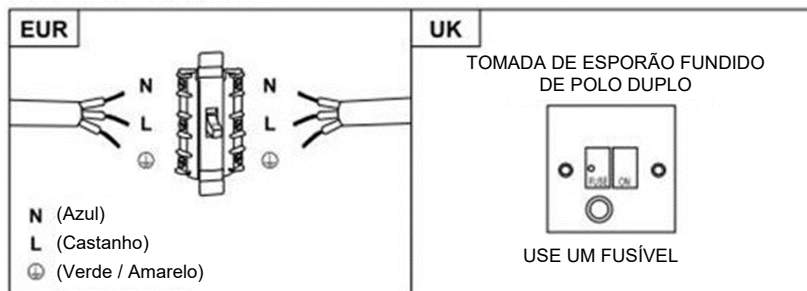
Verifique regularmente se a ficha e o cabo de alimentação apresentam danos. Se o cabo de alimentação estiver danificado, deve ser substituído por um cabo especial ou conjunto disponível no fabricante ou no seu agente de serviço.

AVISO: Este aparelho é de Classe I e DEVE ser ligado à terra. Este aparelho é fornecido com um cabo de rede de 3 núcleos colorido da seguinte forma:

Castanho = L ou Vivo

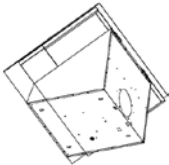
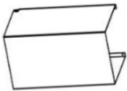






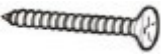



Azul = N ou Neutro

Verde e Amarelo = E ou Terra 



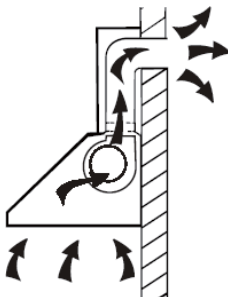
O fusível deve ser classificado em 3 Amps.

Lista de Acessórios de Instalação Padrão

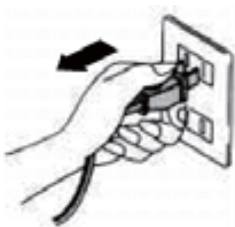
Especific.	Imagem de Ilustração	Qtd.
Corpo do capuz		1
Chaminé inferior (500mm)		1
Chaminé superior (500mm)		1
Tubo		1
Suporte superior da chaminé		1
Suporte inferior da chaminé		1
Suporte do exaustor		1
Ø8 Buchas de Ø8× Ø6 de cor branca		9
Parafuso (ST4 * 30 mm)		9
Parafuso (ST4 * 8 mm)		6
Saída de ar		1
Filtro de carbono		2

INSTALAÇÃO (montagem mural)

Se tiver uma saída para o exterior, o exaustor pode ser ligado como na imagem abaixo através de uma conduta de extração (esmalte, alumínio, tubo flexível não inflamável com um diâmetro interno de 150 mm)



1. Antes da instalação, desligue a unidade da tomada.



2. O exaustor deve ser colocado a uma distância de 65~75cm acima da superfície de cozedura para um funcionamento melhor.

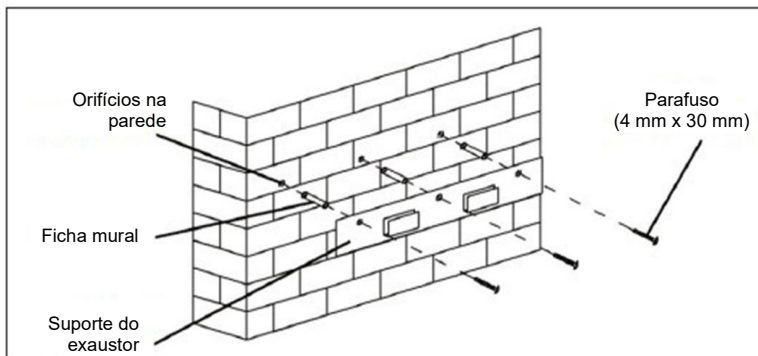


INSTALAÇÃO DO EXAUSTOR

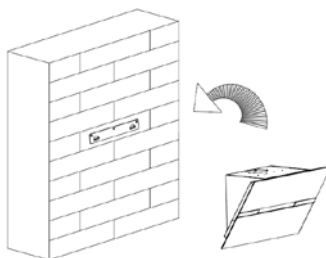
Posicione o exaustor na altura desejada respeitando a altura mínima acima da placa.

Marque a localização do suporte de parede. (Coloque os furos entre 700 e 800 mm acima da bancada) Remova o exaustor e posicione o suporte de parede para marcar os locais dos furos na parede.

Faça os 3 furos na parede para inserir o sistema de fixação apropriado (parafuso ST4x30mm).



Pendure o exaustor nos entalhes do suporte de parede.

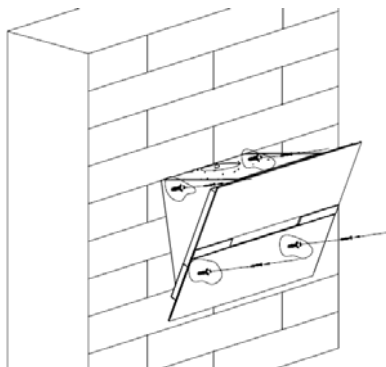


INSTALAÇÃO DO EXAUSTOR

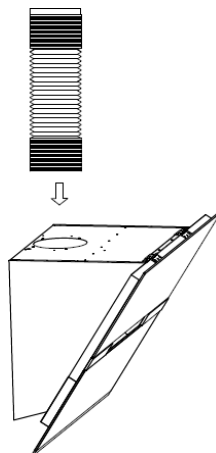
Depois do exaustor estar no lugar, identifique a localização dos 4 parafusos de fixação de parede adicionais, como mostrado no esquema seguinte.

Remova o exaustor para furar a parede e instale buchas de parede.

Fixe o corpo do exaustor com 4 parafusos de 4 mm de diâmetro usando buchas adaptadas à sua parede.



Se o modo de extração for selecionado, coloque a conduta de ar de exaustão na saída de ar, como mostrado.

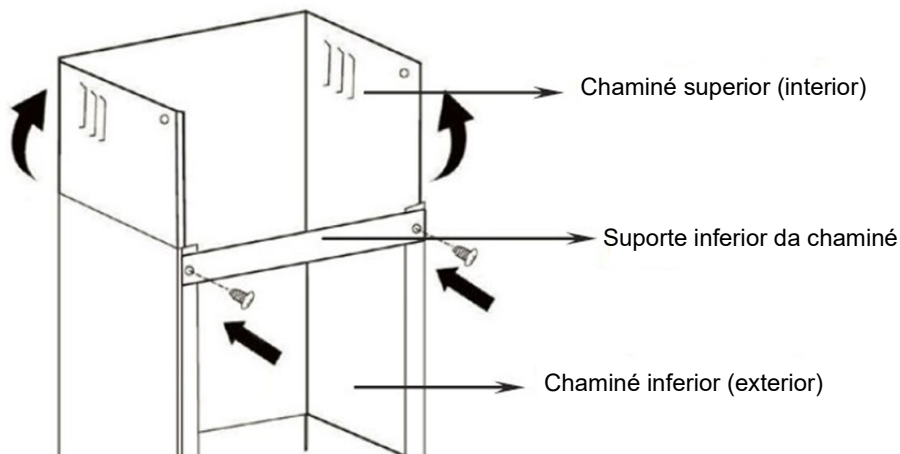


INSTALAÇÃO DO EXAUSTOR

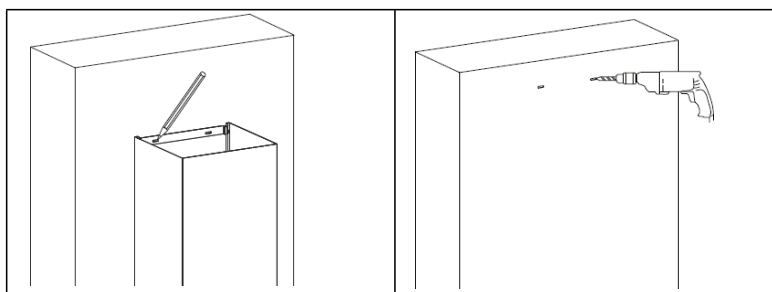
Ligue o suporte da chaminé inferior à chaminé inferior, como mostrado. Use 2 parafusos ST4x8mm.

(Não aperte demasiado os parafusos, certifique-se de que a chaminé superior pode deslizar facilmente para a chaminé inferior)

Insira a chaminé superior na chaminé inferior.



Coloque a chaminé inferior no aparelho e, de seguida, marque os orifícios na parede.

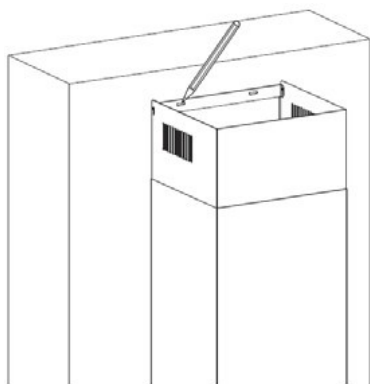
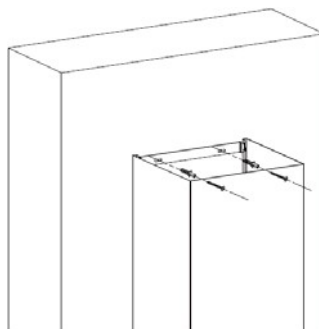


Remova a chaminé inferior e, de seguida, faça furos na parede: furo para diâmetro do parafuso Ø8 mm

Use as cavilhas adaptadas à sua parede

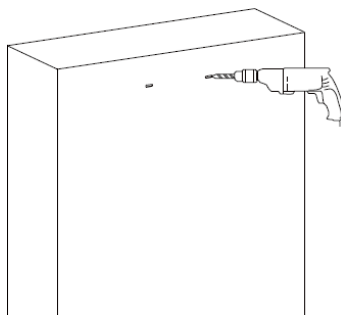
INSTALAÇÃO DO EXAUSTOR

Instale a chaminé inferior e, de seguida, aparafuse na parede com 2 parafusos de diâmetro Φ 8 mm



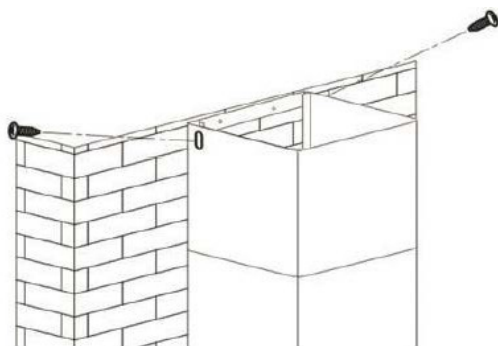
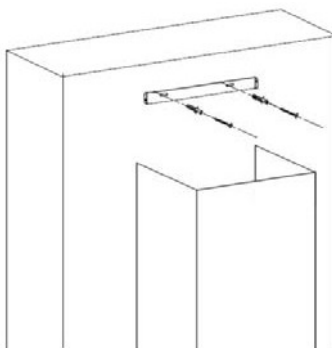
De seguida, puxe a chaminé superior para cima até a altura pretendida. Marque os locais dos orifícios de montagem do suporte da chaminé superior.

Baixe a chaminé superior e, de seguida, faça furos na parede. Insira as cavilhas adaptadas à sua parede



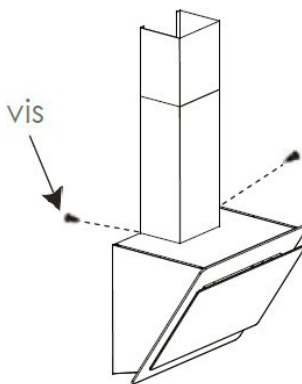
INSTALAÇÃO DO EXAUSTOR

Fixe o suporte de parede da chaminé superior à parede usando as buchas selecionadas (parafusos de 8 mm recomendados).








Aperte a chaminé inferior aos olhais do exaustor da cozinha usando 2 parafusos ST4x8mm.

Volte a montar a chaminé superior e fixe-a ao suporte de parede com 2 parafusos ST4x8mm



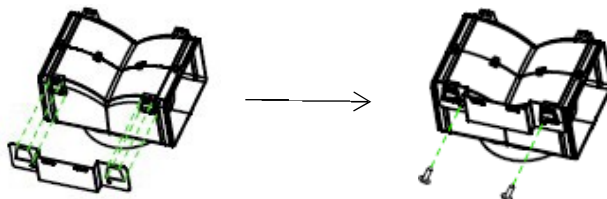
Lista de Acessórios de Instalação Padrão

Especif.	Imagem de Ilustração	Qtd.
Defletor de ar		1
Suporte		1
Ø8 Buchas de Ø8× Ø6 de cor branca		2
Parafusos ST4.0×30		2
Parafusos ST3.5×12		2

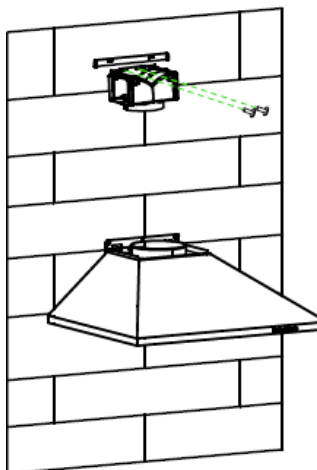
INSTALAÇÃO (DEFLETOR DE AR PARA MODELOS EM T, VIDRO CURVO, VIDRO PLANO):

O defletor de ar está incluído e não é opcional.

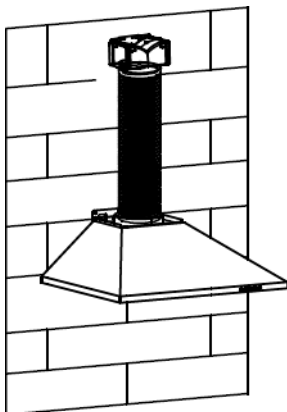
1. Fixe o suporte na saída de plástico em forma de T com os 2 parafusos ST3.5X12 mm fornecidos, como apresentado abaixo:



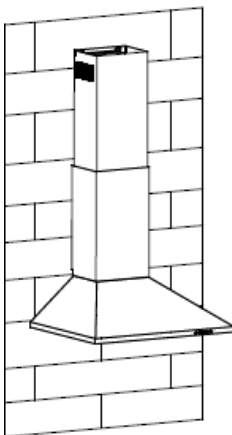
2. Faça 2 furos para acomodar as buchas de parede e, de seguida, aparafuse e aperte o suporte na parede com os 2 parafusos ST 4x30 mm fornecidos.



3. Ligue o tubo de exaustão na saída de ar do exaustor, conforme mostrado abaixo:



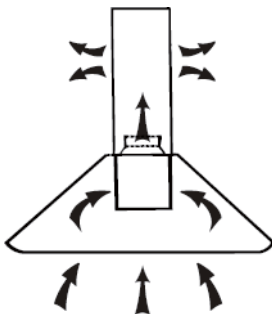
4. Instale a chaminé na unidade e fixe-a.



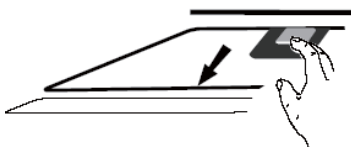
- o “Atenção: A saída de plástico em forma de T e as abas em V não podem ser usadas ao mesmo tempo. Pode tentar usá-las de duas formas: 1) Adicione a aba em V na saída existente; 2) Use a saída de plástico em forma de T, sem adicionar a aba em V.”
- o “Nota: O produto é fornecido com acessório v-flap. Este acessório não é obrigatório para instalação, operação e utilização do produto.”

INSTALAÇÃO (VENTILAÇÃO INTERNA)

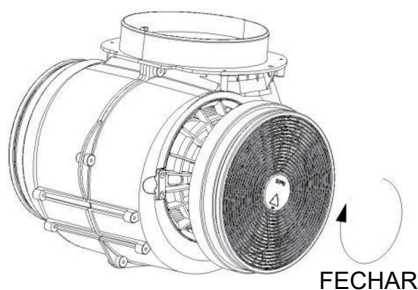
Se não tiver uma saída para o exterior, o tubo de exaustão não é necessário e a instalação é semelhante à mostrada na secção “INSTALAÇÃO (VENTILAÇÃO EXTERNA)”.



O filtro de carvão ativado pode ser usado para capturar odores. Para instalar o filtro de carvão ativado, deve retirar primeiro o filtro de gordura. Pressione o bloqueio e puxe-o para baixo.



Ligue o filtro de carvão ativado na unidade e rode-o para a direita. Repetir o mesmo do outro lado.



NOTA:

- o *Verifique se o filtro está bem bloqueado. Caso contrário, pode soltar-se e ser perigoso.*
- o *Quando o filtro de carvão ativado estiver colocado, a potência de sucção será inferior.*

DESCRIÇÃO DOS COMPONENTES

1

2

3

B



OPERAÇÃO

MODO DE ESPERA.

Após conectar, toda a iluminação, sistema no modo **STANDBY**.

1

Botão de baixa velocidade

É usado para ventilação na cozinha. É apropriado para ferver e cozimento que não produz muito vapor.

2

Botão de velocidade média

A velocidade do fluxo de ar é ideal para ventilação na operação padrão de cozimento.

3

Botão de alta velocidade

Quando houver alta densidade de fumaça ou vapor, pressione o botão de alta velocidade para obter uma ventilação eficaz.

B

Função Booster

Esta chaminé tem função booster. Para a ativar, pressione

B para a velocidade 4, a chaminé vai entrar na velocidade máxima/extra e ficará assim por 5 minutos, altura em que vai abrandar novamente para a velocidade em que estava anteriormente.



Leve

Pressão curta para a iluminação no e off

Temporizador rápido: pressione e segure o botão de luz por 3 segundos, os botões de velocidade do ventilador piscarão e em 5 minutos de contagem regressiva, após 5 minutos o motor e a luz desligarão automaticamente com três sons de campainha

MANUTENÇÃO

Antes de limpar, desligue a unidade da tomada elétrica.

I. Limpeza regular

Use um pano macio humedecido com água morna e sabão ou detergente de limpeza doméstica. Nunca use peças metálicas, produtos químicos, materiais abrasivos ou escovas rígidas para limpar a unidade.

II. Limpeza mensal do filtro de gordura

IMPORTANTE: *Limpar o filtro todos os meses pode evitar o risco de incêndio.*

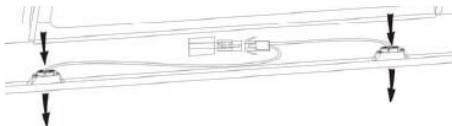
O filtro recolhe gordura, fumo e poeira... por isso o filtro afeta diretamente afetando a eficiência do exaustor. Se não for limpo, os resíduos de gordura (potencial inflamável) saturam no filtro. Limpe-o com detergente doméstico.

III. Limpeza anual do filtro de carvão ativado

Aplica-se APENAS para unidades instaladas como unidades de recirculação (não ventilada para o exterior). Este filtro retém odores e deve ser substituído pelo menos uma vez por ano dependendo da frequência de utilização do exaustor.

IV. Trocar uma lâmpada

Retire os parafusos do vidro, retire o vidro do exaustor. Encontre a lâmpada a substituir na luminária que está no interior da secção exposta da cobertura.



Desligue o ponto de cablagem da luz e remova os suportes das lâmpadas e a cablagem do exaustor. Importante: Não é possível substituir as lâmpadas individualmente, será necessário adquirir as lâmpadas, suportes de lâmpadas e cablagem como uma parte completa. (Lâmpada LED: MAX 1.5W)

Encaixe as lâmpadas, os suportes das lâmpadas e a cablagem da mesma forma que as originais. Em seguida, volte a ligar o ponto de cablagem da lâmpada.

Volte a colocar o vidro do exaustor e aperte os parafusos do vidro. Certifique-se de que os parafusos estão totalmente apertados.

RESOLUÇÃO DE PROBLEMAS

Falha	Causa	Solução
Luz acesa, mas o ventilador não funciona	A pá do ventilador está encravada.	Desligar a unidade e reparar apenas por pessoal qualificado.
	O motor está danificado.	
A lâmpada e o ventilador não funcionam	Lâmpada de halogéneo queimada.	Substitua a lâmpada com a classificação correta.
	Perdas do cabo de alimentação.	Ligue novamente a fonte de alimentação.
Vibração séria da unidade	A pá do ventilador está danificada.	Desligar a unidade e reparar apenas por pessoal qualificado.
	O motor do ventilador não está bem apertado.	Desligar a unidade e reparar apenas por pessoal qualificado.
	A unidade não está pendurada corretamente no suporte.	Retire a unidade e verifique se o suporte está no local correto.
O desempenho de sucção não é bom	Distância muito longa entre a unidade e a superfície de cozedura	Reajuste a distância para 65-75cm

SERVICO DE ASSISTÊNCIA AO CLIENTE

Se não conseguir identificar a causa da avaria de funcionamento, desligue o aparelho e contacte o Serviço de Assistência.

NÚMERO DE SÉRIE DO PRODUTO Onde posso encontrá-lo?

É importante informar o Serviço de Assistência sobre o código de produto e do número de série (um código de 16 caracteres que começa com o número 3); isto pode ser encontrado no certificado de garantia ou na chapa de características no aparelho.

Isto ajudará a evitar visitas perdidas aos técnicos e desta forma (e de maneira mais significativa) poupar as cobranças das chamadas correspondentes.

Este equipamento está marcado em conformidade com a Diretiva Europeia 2012/19/UE sobre Resíduos Elétricos e Equipamento Eletrónico (REEE).

REEE contém substâncias poluentes (que podem trazer consequências negativas para o ambiente) e componentes básicos (que podem



ser reutilizados). É importante que os REEE sejam submetidos a tratamentos específicos, para remover e eliminar adequadamente todos os poluentes e recuperar e reciclar todos os materiais.

As pessoas desempenham um papel importante para garantir que os REEE não representem um problema ambiental; para isso, é essencial que sejam cumpridas algumas regras básicas:

Os REEE não devem ser tratados como lixo doméstico;

Os REEE devem ser entregues nos pontos de recolha adequados administrados pelo município ou por empresas registadas. Em muitos países, para grandes REEE, pode estar disponível recolha doméstica.

Em muitos países, quando é comprado um aparelho novo, o antigo pode ser devolvido ao retalhista, que deve proceder à recolha gratuitamente, desde que o equipamento seja de tipo equivalente e tenha as mesmas funções do equipamento fornecido.

INSTALLATIONS- UND BEDIENUNGSANLEITUNG

INHALT

EINFÜHRUNG	79
SICHERHEITSVORKEHRUNGEN.....	79
ELEKTRISCHE EINRICHTUNG	81
INSTALLATION (Wandmontage)	83
MONTAGE DER HAUBE	84
Liste der Standard-Installationszubehörteile.....	89
INSTALLATION (LUFTFÜHRUNG FÜR T-FORM, GEWÖLBTES GLAS, FLACHGLASMODELLE).....	90
INSTALLATION (ENTLÜFTUNG INNEN)	92
BESCHREIBUNG DER BAUTEILE.....	93
BETRIEB	93
INSTANDHALTUNG	94
FEHLERBEHEBUNG.....	95
KUNDENDIENST.....	95

EINFÜHRUNG

Vielen Dank, dass Sie sich für diese Dunstabzugshaube entschieden haben.

Diese Bedienungsanleitung soll Ihnen alle notwendigen Anweisungen zur Installation, Verwendung und Wartung des Gerätes geben. Um das Gerät ordnungsgemäß und sicher zu betreiben, lesen Sie bitte diese Bedienungsanleitung vor der Installation und Verwendung sorgfältig durch. Die Dunstabzugshaube besteht aus hochwertigen Materialien und hat ein modernes Design. Sie ist mit einem leistungsstarken Elektromotor und Radialventilator ausgestattet, bietet zudem eine starke Saugleistung, einen geräuscharmen Betrieb, einen Antihaft-Fettfilter, und lässt sich einfach montieren.

SICHERHEITSVORKEHRUNGEN

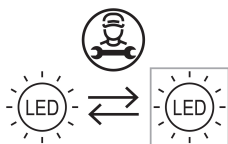
- Lassen Sie niemals Kinder die Maschine bedienen.
- Die Dunstabzugshaube ist nur für den häuslichen Gebrauch vorgesehen und nicht für andere Zwecke wie Grillpartys, Feinkostgeschäfte oder eine gewerbliche Nutzung geeignet.
- Die Dunstabzugshaube und ihr Filter müssen regelmäßig gereinigt werden, um einen einwandfreien Betrieb zu gewährleisten.
- Reinigen Sie die Dunstabzugshaube gemäß Bedienungsanleitung, und schützen Sie das Gerät vor einer Brandgefahr.
- Das Gerät ist nicht für den Betrieb mit einem Gasherd vorgesehen. Bitte sorgen Sie für eine gute Belüftung in der Küche.
- Vergewissern Sie sich vor dem Anschluss dieses Gerätes, dass das Netzkabel nicht beschädigt ist. Ein beschädigtes Netzkabel darf nur von qualifiziertem Servicepersonal ausgetauscht werden.
- Es muss eine ausreichende Belüftung des Raumes gewährleistet sein, wenn die Abzugshaube gleichzeitig

mit Geräten zur Verbrennung von Gas oder anderen Brennstoffen verwendet wird.

- Die Luft darf nicht in einen Rauchabzug geleitet werden, der zur Absaugung von Rauch aus Geräten zur Verbrennung von Gas oder anderen Brennstoffen verwendet wird.
- Vorschriften bezüglich der Luftableitung müssen erfüllt werden.
- Kinder müssen beaufsichtigt werden, um sicherzugehen, dass sie nicht am Gerät herumspielen.
- Flambieren Sie nicht unter der Dunstabzugshaube.
- Die Dunstabzugshaube ist nicht für die Installation über einem Kochfeld mit mehr als vier Kochstellen vorgesehen.
- Diese müssen eine ausreichende Belüftung des Raums gewährleisten, wenn die Dunstabzugshaube gleichzeitig mit Geräten verwendet wird, die Gas oder andere Brennstoffe verbrennen (gilt nicht für Geräte, die nur die Luft zurück in den Raum leiten).
- Einzelheiten zur Art und Häufigkeit der Reinigung.
- Es besteht Brandgefahr, wenn die Reinigung nicht vorschriftsmäßig durchgeführt wird.
- Flambieren Sie nicht unter der Dunstabzugshaube.
- **ACHTUNG:** Während des Betriebs können zugängliche Teile des Kochgeräts heiß werden.

Stromschlaggefahr

- Schließen Sie dieses Gerät nur an eine ordnungsgemäß geerdete Steckdose an. Lassen Sie sich im Zweifelsfall von einem entsprechend qualifizierten Ingenieur beraten.
- Bei Nichtbeachtung dieser Anweisung besteht die Gefahr schwerer oder sogar tödlicher Verletzungen oder eines Brandes.



Die in diesem Produkt verwendete Lampe ist nicht für die Beleuchtung eines Raumes geeignet.

Der Zweck dieser Lampe ist die Beleuchtung für die Verwendung des Produkts.

ELEKTRISCHE EINRICHTUNG

Alle Installationen müssen von einer kompetenten Person oder einem qualifizierten Elektriker durchgeführt werden. Stellen Sie vor dem Anschluss des Netzteils sicher, dass die Netzspannung der Spannung auf dem Typenschild entspricht.

Direkte Verbindung

Das Gerät muss mit einem allpoligen Trennschalter mit einer Mindestöffnung von 3 mm zwischen den Kontakten direkt an das Netz angeschlossen werden.

Der Installateur muss sicherstellen, dass die korrekte elektrische Verbindung hergestellt wurde und dem Schaltplan entspricht.

Das Kabel darf weder geknickt noch gequetscht werden.

Überprüfen Sie regelmäßig den Netzstecker und das Netzkabel auf Beschädigungen. Ein beschädigtes Netzkabel darf nur durch ein Spezialkabel ausgetauscht werden, das entweder beim Händler oder bei seinem technischen Kundendienst erhältlich ist.

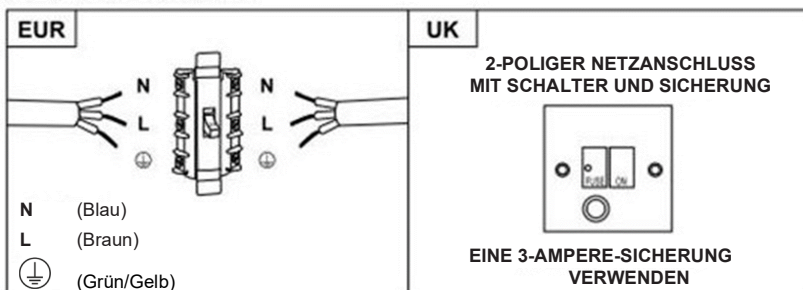
WARNUNG: Dies ist ein Gerät der Klasse I und MUSS geerdet werden.

Dieses Gerät wird mit einem 3-adrigen Netzkabel geliefert, das wie folgt gefärbt ist:

Braun = L oder Live (spannungsführend)

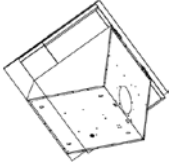
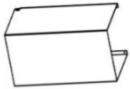
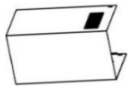








Blau = N oder Neutral

Grün und Gelb = E oder Erde (⊥)



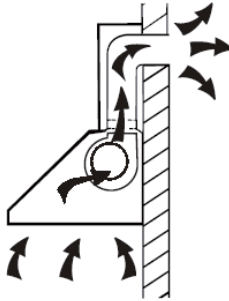
Die Sicherung muss für 3 Ampere ausgelegt sein.

Liste der Standard-Installationszubehörteile

Teil	Darstellung	Menge
Dunstabzugsgehäuse		1
Unterer Abzug (500 mm)		1
Oberer Abzug (500 mm)		1
Obere Abzugshalterung		1
Untere Abzugshalterung		1
Dunstabzugshalterung		1
Ø 8 Dübel Ø 8× Ø 6 weiß		9
Schraube (ST4 * 30 mm)		9
Schraube (ST4 * 8 mm)		6
Luftauslass		1
Aktivkohlefilter		2

INSTALLATION (Wandmontage)

Wenn Sie einen Auslass nach außen haben, kann Ihre Abzugshaube wie unten abgebildet über einen Absaugkanal (Emaille, Aluminium, Flexrohr oder feuerfestes Material mit einem Innendurchmesser von 150 mm) angeschlossen werden.



1. Schalten Sie das Gerät vor der Installation aus und ziehen Sie den Stecker aus der Steckdose.



2. Um eine optimale Wirkung zu erzielen, sollte die Abzugshaube in einem Abstand von 65~75 cm von der Kochstelle montiert werden.

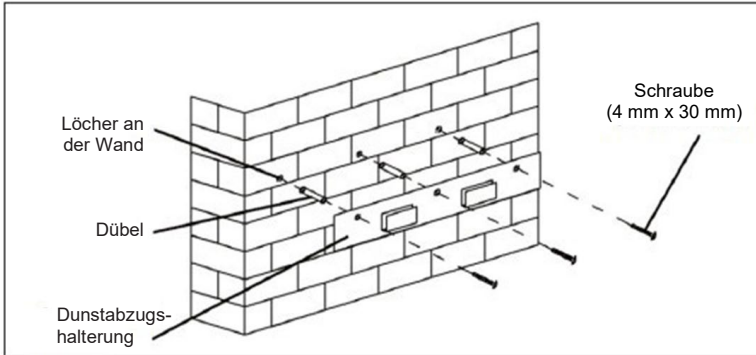


MONTAGE DER HAUBE

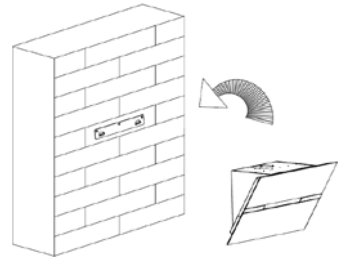
Positionieren Sie die Haube in der gewünschten Höhe unter Einhaltung der Mindesthöhe über dem Kochfeld.

Markieren Sie die Position der Wandhalterung. (Setzen Sie die Löcher zwischen 700 und 800 mm über der Arbeitsplatte.) Entfernen Sie die Haube und positionieren Sie die Wandhalterung, um die Lage der Löcher an der Wand zu markieren.

Bohren Sie die 3 Löcher in die Wand, um das entsprechende Befestigungssystem anzubringen (Schraube ST4x30 mm).

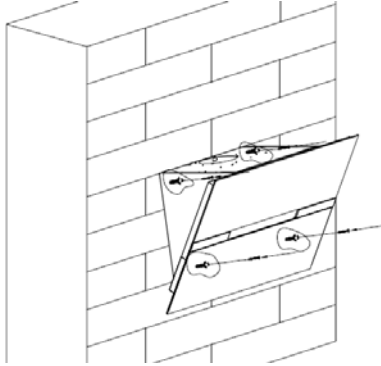


Hängen Sie die Haube in die Nuten der Wandhalterung.

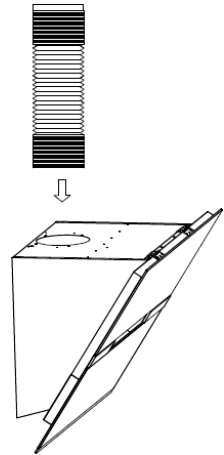


MONTAGE DER HAUBE

Wenn die Haube an ihrem Platz ist, legen Sie die Lage der 4 zusätzlichen Wandbefestigungsschrauben fest, wie in der folgenden Abbildung gezeigt. Entfernen Sie die Haube, um die Löcher in die Wand zu bohren, und setzen Sie die Dübel ein. Befestigen Sie das Haubengehäuse mit 4 Schrauben und den 4-mm-Dübeln an der Wand.



Zur Benutzung der Absaugfunktion bringen Sie den Abluftkanal wie gezeigt am Luftauslass an.

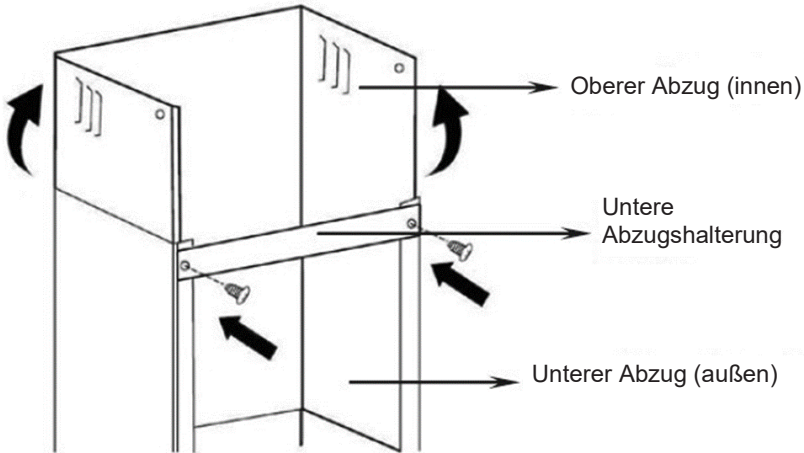


MONTAGE DER HAUBE

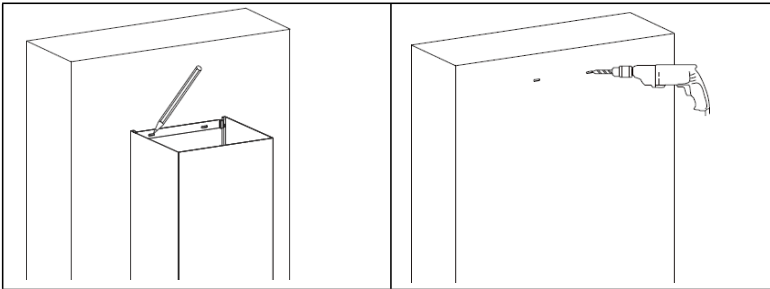
Befestigen Sie die untere Abzugshalterung wie abgebildet am unteren Abzug.
Verwenden Sie 2 Schrauben St4x8 mm.

(Schrauben nicht zu fest anziehen; der obere Abzug sollte leicht in den unteren Abzug gleiten können)

Setzen Sie den oberen Abzug in den unteren Abzug ein.



Positionieren Sie den unteren Abzug im Gerät und markieren Sie dann die Löcher an der Wand.

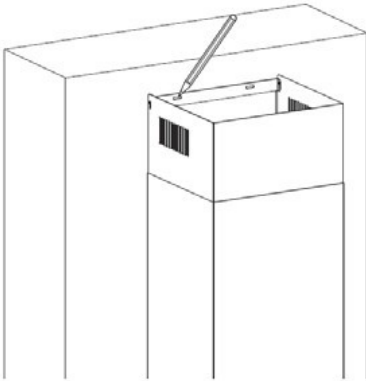
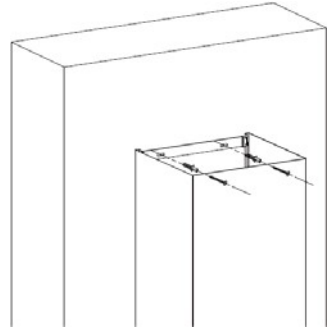


Entfernen Sie den unteren Abzug und bohren Sie dann Löcher in die Wand: Loch für Schraubendurchmesser \varnothing 8 mm.

Benutzen Sie für Ihre Wand geeignete Dübel.

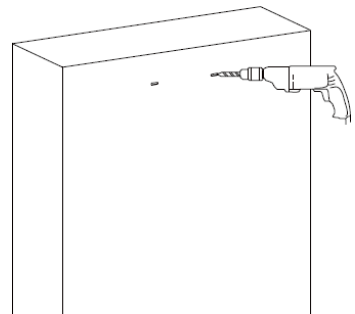
MONTAGE DER HAUBE

Installieren Sie den unteren Abzug, indem Sie ihn mit 2 Schrauben mit einem Durchmesser von \varnothing 8 mm an der Wand anbringen.



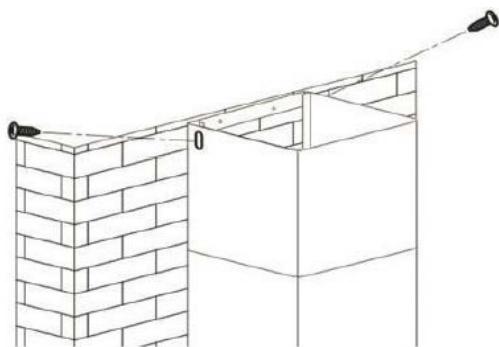
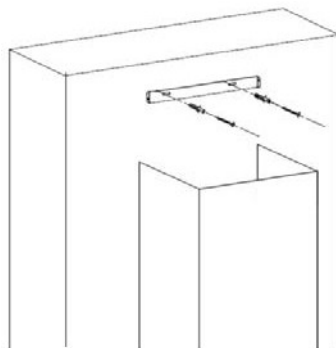
Ziehen Sie dann den oberen Abzug auf die gewünschte Höhe nach oben. Markieren Sie die Positionen der Montagelöcher der oberen Abzugshalterung.

Senken Sie den oberen Abzug ab, und bohren Sie dann Löcher in die Wand. Setzen Sie die Dübel ein.



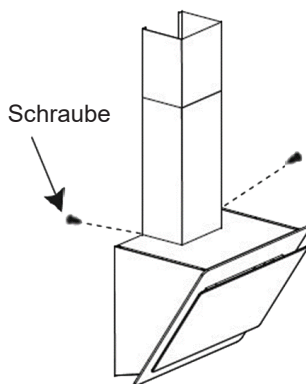
MONTAGE DER HAUBE

Befestigen Sie die Wandhalterung des oberen Abzugs mit den gewählten Dübeln (8-mm-Schrauben empfohlen) an der Wand.








Montieren Sie den oberen Abzug wieder und befestigen Sie ihn mit 2 Schrauben ST4x8 mm an der Wandhalterung

Befestigen Sie den unteren Abzug mit 2 Schrauben ST4x8mm an den Laschen der Dunstabzugshaube.



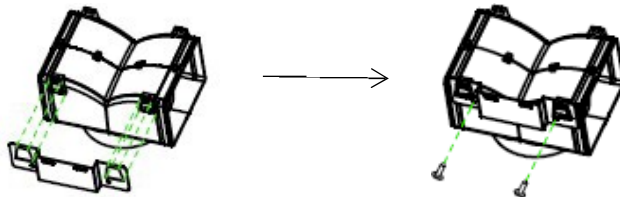
Liste der Standard-Installationszubehörteile

Teil	Darstellung	Menge
Luftleitblech		1
Halterung		1
Ø8 Dübel Ø8×Ø6 weiß		2
Schrauben ST4.0×30		2
Schrauben ST3.5×12		2

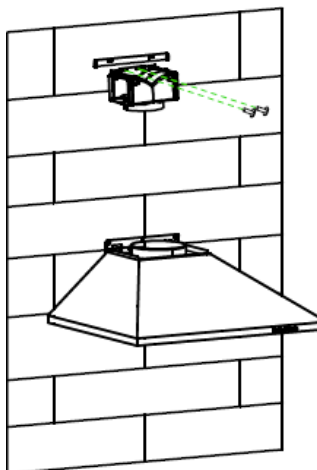
INSTALLATION (LUFTFÜHRUNG FÜR T-FORM, GEWÖLBTES GLAS, FLACHGLASMODELLE)

Die Luftführung ist im Lieferumfang enthalten und nicht optional.

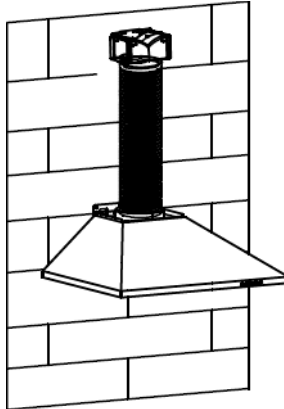
1. Befestigen Sie die Halterung am T-förmigen Kunststoffauslass mit 2 ST3,5x12mm-Schrauben, wie unten gezeigt:



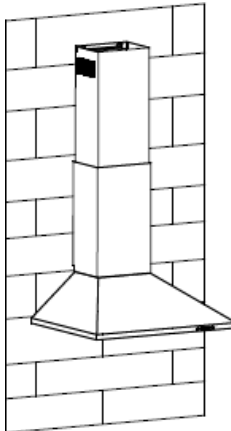
2. Bohren Sie 2 Löcher für die Dübel in die Wand. Befestigen Sie die Halterung mit den 2 mitgelieferten ST4x30mm-Schrauben an der Wand fest.



3. Befestigen Sie das Abluftrohr wie unten gezeigt am Luftauslass der Dunstabzugshaube:



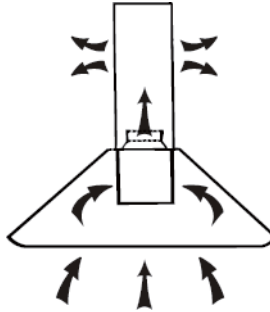
4. Bringen Sie den Abzug am Gerät an.



- Bitte beachten Sie: T-förmiger Kunststoffauslass und V-Klappen können nicht gleichzeitig verwendet werden. Sie können sie auf zwei Arten verwenden: 1. V-Klappe zum vorhandenen Auslass hinzufügen; 2. T-förmigen Kunststoffauslass verwenden, keine V-Klappe hinzufügen.
- Hinweis: Das Produkt ist mit V-Klappen-Zubehör ausgestattet. Dieses Zubehör ist für die Installation, den Betrieb und die Verwendung des Produkts nicht zwingend erforderlich.

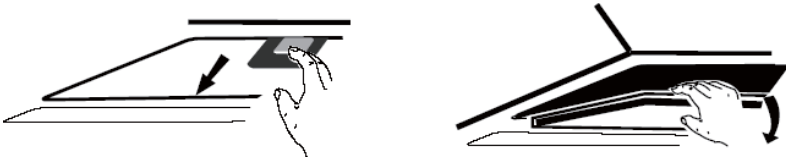
INSTALLATION (ENTLÜFTUNG INNEN)

Wenn Sie keinen Auslass nach außen haben, ist kein Abluftrohr erforderlich. Die Installation entspricht der im Abschnitt „INSTALLATION (ENTLÜFTUNG AUSSEN)“ beschriebenen Vorgehensweise.

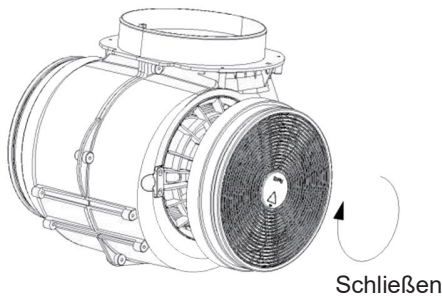


Ein Aktivkohlefilter kann zur Geruchsbindung eingesetzt werden.

Um den Aktivkohlefilter zu installieren, sollte zuerst der Fettfilter entfernt werden. Drücken Sie auf die Verriegelung und ziehen Sie sie nach unten.



Setzen Sie den Aktivkohlefilter in das Gerät ein und drehen Sie ihn im Uhrzeigersinn. Wiederholen Sie diesen Vorgang auf der anderen Seite.



HINWEIS:

- o Vergewissern Sie sich, dass der Filter sicher verriegelt ist. Andernfalls könnte er sich lösen und zu einer Gefahr werden.
- o Bei angeschlossenem Aktivkohlefilter wird die Saugleistung reduziert

BESCHREIBUNG DER BAUTEILE

1

2

3

B



BETRIEB

STANDBY MODUS

Nach dem Einstecken alle Beleuchtung, System im **STANDBY-MODUS**.

1 Taste für niedrige Geschwindigkeit

Es wird zur Belüftung der Küche verwendet. Es ist zum Kochen geeignet und Kochen, das nicht viel Dampf macht.

2 Mittlere Geschwindigkeitstaste

Die Luftstromgeschwindigkeit ist ideal für die Belüftung im Standardkochbetrieb.

3 Hochgeschwindigkeitstaste

Wenn eine hohe Rauch- oder Dampfdichte entsteht, drücken Sie die Hochgeschwindigkeitstaste für eine hochwirksame Belüftung.

B Booster-Funktion

Diese Haube hat eine Boosterfunktion. Um den Booster zu aktivieren, drücken Sie auf die Geschwindigkeit 4, geben Sie die höchste Geschwindigkeit ein, während die Motorhaube in Betrieb ist, und erhöhen Sie die Geschwindigkeit für 5 Minuten, bevor Sie die Geschwindigkeit verlangsamen.



Licht

Kurze Presse für die Beleuchtung auf & off

Schnelltimer: Halten Sie die Lichttaste 3 Sekunden lang gedrückt. Die Tasten für die Lüftergeschwindigkeit blinken und zählen in 5 Minuten herunter. Nach 5 Minuten schalten sich Motor und Licht automatisch mit drei Summertönen aus.

INSTANDHALTUNG

Schalten Sie vor dem Reinigen das Gerät aus und ziehen Sie den Netzstecker.

I. Regelmäßige Reinigung

Verwenden Sie ein weiches Tuch, das mit handwarmem, mildem Seifenwasser oder Haushaltsreiniger befeuchtet ist. Verwenden Sie zur Reinigung des Geräts niemals Metallpads, Chemikalien, scheuerndes Material oder harte Bürsten.

II. Monatliche Reinigung des Fettfilters

WICHTIG: Reinigen Sie den Filter jeden Monat, um eine Brandgefahr zu vermeiden.

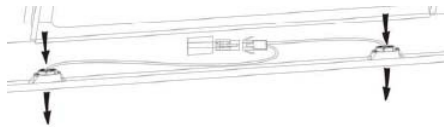
Im Filter sammeln sich Fett, Rauch und Staub.... somit hat der Filter direkten Einfluss auf die Effizienz der Dunstabzugshaube. Wird der Filter nicht gereinigt, lagern sich die (potenziell brennbaren) Fettrückstände im Filter ab. Reinigen Sie den Filter mit einem Haushaltsreiniger.

III. Jährliche Reinigung des Aktivkohlefilters

Dies gilt ausschließlich für Geräte, die im Umluftmodus betrieben werden (keine Abluft nach außen). Der Aktivkohlefilter fängt Gerüche ab und muss mindestens einmal im Jahr ausgetauscht werden, je nachdem, wie häufig die Dunstabzugshaube verwendet wird.

IV. Auswechseln des Leuchtmittels

Lösen Sie die Schrauben der Glasabdeckung und entfernen Sie diese. Machen Sie die auszutauschende Glühbirne ausfindig, die sich im Lampensockel im freiliegenden Teil der Abdeckung befindet.



Trennen Sie die Verkabelung und entfernen Sie den Lampensockel und die Verdrahtung von der Abdeckung. Wichtig! Es ist nicht möglich, die Glühbirnen einzeln auszutauschen. Die Glühbirnen, die Lampenfassungen und die Verkabelung müssen als komplettes Bauteil ausgetauscht werden. (LED-Licht: MAX 1,5 W)

Montieren Sie die Ersatzlampen, Lampenfassungen und Kabel entsprechend des Original-Bauteils. Schließen Sie anschließend die Verdrahtung erneut an.

Setzen Sie die Glashaube wieder auf, und ziehen Sie die Glasschrauben an. Vergewissern Sie sich, dass die Schrauben vollständig angezogen sind.

FEHLERBEHEBUNG

Störung	Ursache	Lösung
Die Leuchte geht an, aber das Gebläse läuft nicht	Der Gebläseflügel ist blockiert.	Schalten Sie das Gerät aus und lassen Sie es ausschließlich durch qualifiziertes Servicepersonal reparieren.
	Der Motor ist defekt.	
Sowohl Licht als auch Gebläse funktionieren nicht.	Die Halogen-Glühbirne ist durchgebrannt.	Ersetzen Sie die Glühbirne durch eine mit entsprechender Leistung.
	Das Netzkabel löst sich.	Stecken Sie das Netzkabel wieder ein.
Starke Vibrationen des Gerätes	Der Gebläseflügel ist beschädigt.	Schalten Sie das Gerät aus und lassen Sie es ausschließlich durch qualifiziertes Servicepersonal reparieren.
	Der Gebläsemotor ist nicht korrekt befestigt.	Schalten Sie das Gerät aus und lassen Sie es ausschließlich durch qualifiziertes Servicepersonal reparieren.
	Das Gerät ist nicht ordnungsgemäß an der Halterung aufgehängt.	Nehmen Sie das Gerät ab und überprüfen Sie, ob sich die Halterung an der richtigen Stelle befindet.
Die Saugleistung ist nicht ausreichend	Zu großer Abstand zwischen Gerät und Kochfeld	Passen Sie den Abstand auf 65-75 cm an.

KUNDENDIENST

Wenn Sie die Ursache der Betriebsstörung nicht feststellen können, schalten Sie das Gerät aus und wenden Sie sich an den Kundendienst.

SERIENNUMMER DES PRODUKTS. Wo befindet sich die Seriennummer?

Es ist wichtig, dass Sie dem Kundendienst Ihren Produktcode und seine Seriennummer (ein 16-stelliger Code, der mit der Nummer 3 beginnt) mitteilen; diese finden Sie auf dem Garantiezertifikat oder auf dem Typenschild am Gerät. Dies trägt dazu bei, unnötige Anfahrten für Techniker und damit (und insbesondere) anfallende Kosten zu vermeiden.

Dieses Gerät ist entsprechend der EU-Richtlinie 2012/19/EC für Elektro- und Elektronik-Altgeräte (WEEE) gekennzeichnet. Die WEEE umfasst sowohl umweltschädliche Stoffe (die negative Auswirkungen auf die Umwelt haben) als auch grundlegende Komponenten (die recyclingfähig sind). Elektro- und Elektronik-Altgeräte sollten immer einer speziellen



Behandlung unterzogen werden, um alle Schadstoffe zu entfernen und ordnungsgemäß zu entsorgen und alle Materialien zurückzugewinnen und zu recyceln.

Jeder kann dazu beitragen, dass Altelektrogeräte nicht zu einem Umweltproblem werden. Daher sollten unbedingt einige Grundregeln beachtet werden:

Elektro- und Elektronik-Altgeräte dürfen nicht als Hausmüll entsorgt werden;

Elektro- und Elektronik-Altgeräte sollten bei den vorgesehenen Sammelstellen der Kommune oder den von ihr beauftragten Unternehmen abgegeben werden. In vielen Ländern ist es unter Umständen möglich, große Elektro- und Elektronik-Altgeräte zu Hause abholen zu lassen.

In vielen Ländern können beim Kauf eines neuen Geräts Altgeräte im Tausch kostenlos an den Händler zurückgegeben werden, solange das Gerät demselben Typ entspricht und über die gleichen Funktionen wie das gelieferte Gerät verfügt.

РЪКОВОДСТВО ЗА МОНТАЖ И ЕКСПЛОАТАЦИЯ

СЪДЪРЖАНИЕ

ПРЕДПАЗНИ МЕРКИ.....	98
ЕЛЕКТРИЧЕСКА ИНСТАЛАЦИЯ	100
МОНТАЖ (стенен монтаж).....	102
МОНТИРАНЕ НА АБСОРБАТОРА	103
МОНТИРАНЕ НА АБСОРБАТОРА	104
МОНТИРАНЕ НА АБСОРБАТОРА	105
МОНТИРАНЕ НА АБСОРБАТОРА	106
МОНТИРАНЕ НА АБСОРБАТОРА	107
Списък на стандартните аксесоари за монтаж.....	108
МОНТАЖ(ДЕФЛЕКТОР ЗА ВЪЗДУШНИЯ ПОТОК ЗА Т-ОБРАЗНИ МОДЕЛИ, МОДЕЛИ С ИЗВИТО СЪГЪЛКО, МОДЕЛИ С ПЛОСКО СЪГЪЛКО).....	109
МОНТАЖ (ВЪТРЕШНА ВЕНТИЛАЦИЯ).....	111
ОПИСАНИЕ НА КОМПОНЕНТИТЕ.....	112
ЕКСПЛОАТАЦИЯ	112
ПОДДРЪЖКА.....	113
ОТСТРАНЯВАНЕ НА ПОВРЕДИ	114
ОБСЛУЖВАНЕ НА КЛИЕНТИ	114

ВЪВЕДЕНИЕ

Благодарим Ви, че избрахте този абсорбатор.

Настоящото ръководство за експлоатация е предназначено да Ви предостави всички необходими инструкции, свързани с монтажа, експлоатацията и поддръжката на уреда. За да работите правилно и безопасно с устройството, моля, прочетете внимателно това ръководство преди монтиране и експлоатация.

Абсорбаторът е изработен от висококачествени материали и е с модерен дизайн. Благодарение на мощния си електрически мотор и центробежен вентилатор той е със силна засмукваща мощност, работи с ниски нива на шума, разполага с незалепващ филтър за мазнини и е лесен за монтиране.

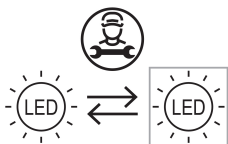
ПРЕДПАЗНИ МЕРКИ

- Никога не позволявайте на децата да работят с машината.
- Абсорбаторът е само за домашна употреба, не е подходящ за барбекю, заведения за приготвяне на месо и за други търговски цели.
- Абсорбаторът и филтърът му трябва да се почистват редовно, за да се поддържат в добро експлоатационно състояние.
- Почистете абсорбатора в съответствие с инструкциите за експлоатация и пазете уреда от изгаряне.
- Не допускате пряка топлина от газова печка. Поддържайте добра конвенция в кухнята.
- Преди да свържете уреда, проверете дали захранващият кабел не е повреден. Повреденият захранващ кабел трябва да се подменя само от квалифициран сервизен персонал.

- Помещението трябва да се проветрява добре, когато абсорбаторът се използва едновременно с уреди, които работят на газ или други горива;
- Въздухът не трябва да се изпуска в димоотвод, който се използва за отвеждане на изпаренията от уреди, които работят на газ или други горива;
- Трябва да се спазват правилата относно отвеждането на въздуха.
- Децата трябва да се наблюдават, за да не се допуска да си играят с уреда.
- Не фламбирайте под абсорбатора.
- Абсорбаторът не е предназначен за монтиране над готварски плот с повече от четири котлона.
- Когато абсорбаторът се използва едновременно с уреди, използващи газ или други горива, стаята трябва да бъде добре проветрена (не се прилага за уреди, които само отвеждат въздуха обратно в стаята).
- Информацията относно метода и честотата на почистване.
- Има опасност от пожар, ако уредът не се почиства в съответствие с инструкциите.
- Не допускайте пламъци под абсорбатора.
- **ВНИМАНИЕ:** достъпните части може да се нагряват, когато устройството се използва с уред за готвене.

Опасност от токов удар

- Включвайте това устройство само в правилно заземен контакт. Ако не сте сигурни, потърсете съвет от подходящо квалифициран инженер.
- Неспазването на тези инструкции може да причини смърт, пожар или токов удар.



Лампата, използвана в този продукт, не е подходяща за използване при осветление

на помещение. Целта на тази лампа е да осигури осветление за използване на продукта.

ЕЛЕКТРИЧЕСКА ИНСТАЛАЦИЯ

Целият монтаж трябва да се извърши от компетентно лице или квалифициран електротехник. Преди да свържете мрежовото захранване, уверете се, че мрежовото напрежение съответства на напрежението, посочено на табелката с данни.

Директна връзка

Уредът трябва да бъде свързан директно към електрическата мрежа с помощта на универсален прекъсвач с минимален отвор от 3 mm между контактите.

Монтажникът трябва да се увери, че е направена правилната електрическа връзка и че тя е в съответствие със схемата на свързване.


Кабелът не бива да се прегъва и притиска.

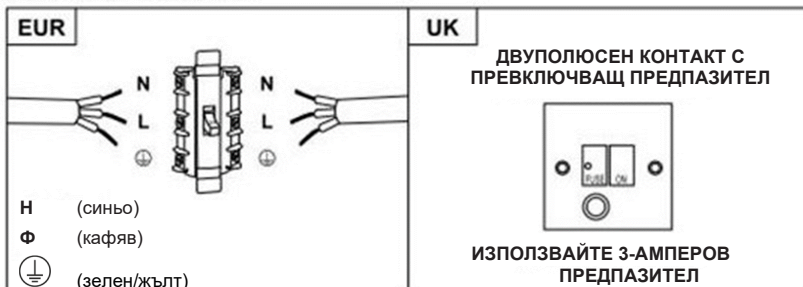
Редовно проверявайте щепсела и захранващия кабел за повреди. Ако захранващият кабел е повреден, той трябва да се замени със специален кабел или комплект, които се предоставят от производителя или неговия сервизен представител.

ВНИМАНИЕ: Това е уред от клас I и ТРЯБВА да бъде заземен Този уред е в комплект с 3-жилен захранващ кабел в следните цветове:

Кафяв = Ф или Фаза

Син = Н или Нула

Зелен и жълт = З или Земя 



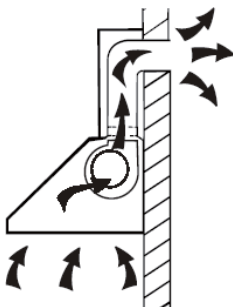
Предпазителят трябва да бъде определен като 3-амперов

Списък на стандартните аксесоари за монтаж

Спец.	Примерна снимка	Кол-во
Тяло на абсорбатора		1
Долен комин (500 mm)		1
Горен комин (500 mm)		1
Скоба на горния комин		1
Скоба на долния комин		1
Скоба на абсорбатора		1
∅ 8 винтове с дюбел ∅ 8× ∅ 6 в бяло		9
Винт (ST4 * 30 mm)		9
Винт (ST4 * 8 mm)		6
Въздушен отвор		1
Въглероден филтър		2

МОНТАЖ (стенен монтаж)

Ако имате изход навън, абсорбаторът може да бъде свързан, както е показано по-долу, с помощта на въздухоотвод (емайлирана, алуминиева гъвкава незапалима тръба с вътрешен диаметър 150 mm).



1. Преди монтаж изключете устройството и извадете щепсела му от контакта.



2. За най-добър ефект абсорбаторът трябва да се постави на разстояние 65~75 cm над равнината на готвене.

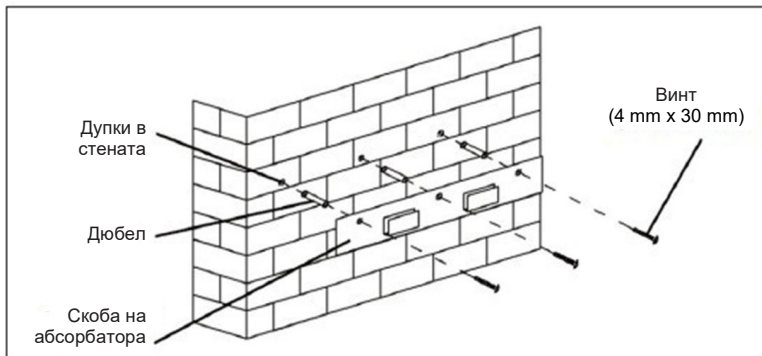


МОНТИРАНЕ НА АБСОРБАТОРА

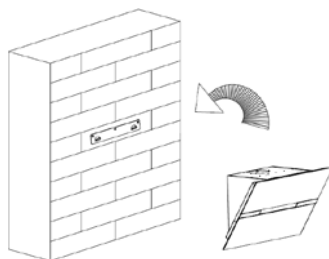
Позиционирайте абсорбатора на желаната височина, като спазвате минималната височина над плота за готвене.

Отбележете мястото на скобата за стена. (Поставете отворите между 700 и 800 mm над работния плот) Свалете абсорбатора и позиционирайте скобата за стена, за да отбележите местата на отворите на стената.

Пробийте 3-те отвора в стената, за да поставите подходящата система за закрепване (винт ST4 x 30 mm).

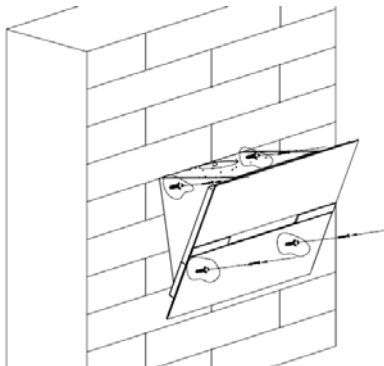


Закачете абсорбатора в прорезите на скобата за стена.

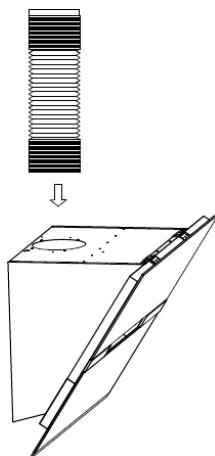


МОНТИРАНЕ НА АБСОРБАТОРА

След като капакът е поставен, определете мястото на 4 - те допълнителни винта за стенен монтаж, както е показано на следващата диаграма. Свалете абсорбатора, за да пробиете стената и да поставите дюбелите. Закрепете корпуса на абсорбатора с 4 винта от 4 mm, като използвате дюбели, подходящи за вашата стена.



Ако е избран режим на отвеждане на въздуха, изпускателната тръба се поставя на изхода за въздуха, както е показано.

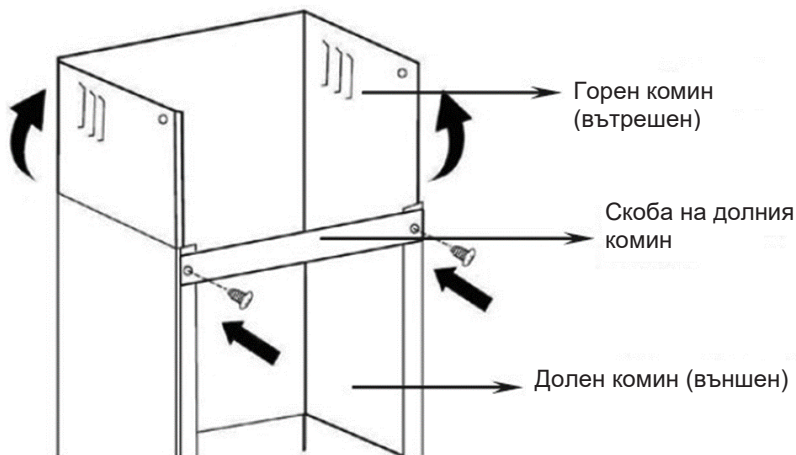


МОНТИРАНЕ НА АБСОРБАТОРА

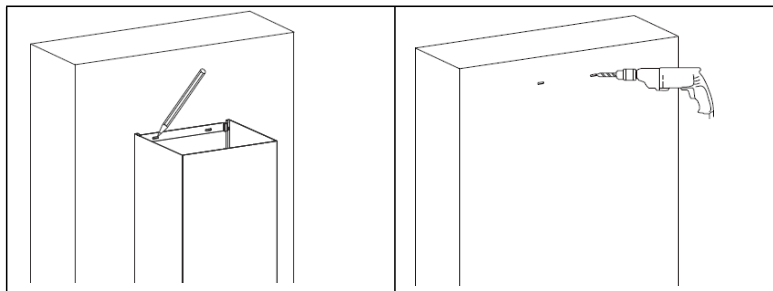
Прикрепете долната опора на комина към долния комин, както е показано. Използвайте 2 винта от ST4 x 8 mm.

(Не затягвайте винтовете прекалено много, уверете се, че горният комин може лесно да се влезе в долния.)

Поставете горния комин в долния комин.



Позиционирайте долния комин в уреда, след което отбележете отворите на стената.

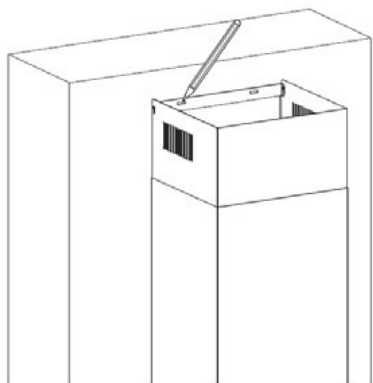
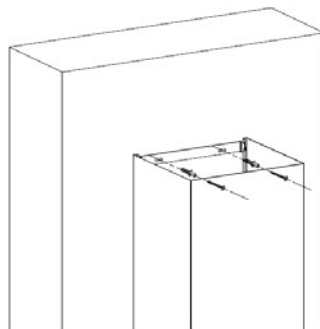


Свалете долния комин, след което пробийте дупки в стената: дупка за винт с диаметър \varnothing 8 mm.

Използвайте дюбели, подходящи за вашата стена.

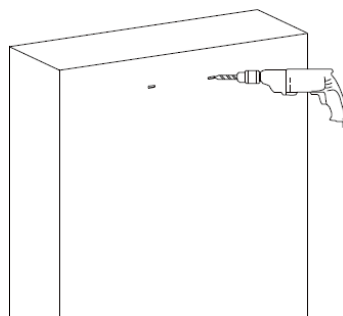
МОНТИРАНЕ НА АБСОРБАТОРА

Монтирайте долния комин, след което го завинтете към стената с 2 винта с диаметър \varnothing 8 mm



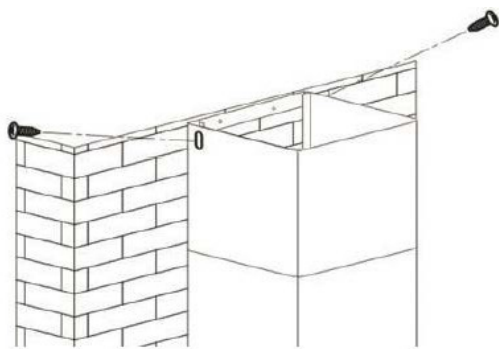
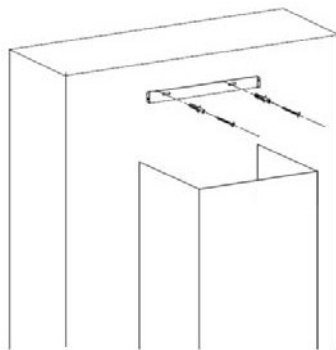
След това издърпайте горния комин нагоре до желаната височина. Отбележете местата на монтажните отвори на опората на горния комин.

Спуснете горния комин и след това пробийте дупки в стената. Поставете дюбели, подходящи за вашата стена.



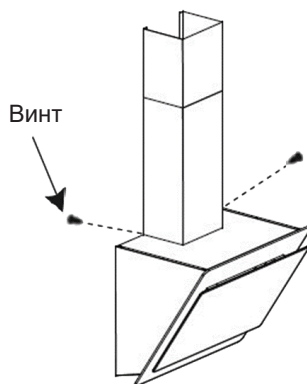
МОНТИРАНЕ НА АБСОРБАТОРА

Закрепете скобата за стена на горния комин към стената с помощта на избраните дюбели (препоръчват се винтове 8 mm).








Сглобете отново горния комин и го закрепете към скобата за стена с 2 винта ST4 x 8 mm.

Закрепете долния комин към дюбелите на абсорбатора с помощта на 2 винта ST4 x 8 mm.



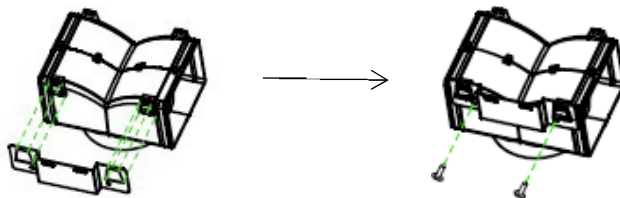
Списък на стандартните аксесоари за монтаж

Спец.	Примерна снимка	Кол-во
Дефлектор за въздушния поток		1
Скоба		1
Ø8 винтове с дюбел Ø8 × Ø6 с бял цвят		2
Винтове ST4.0 × 30		2
Винтове ST3.5 × 12		2

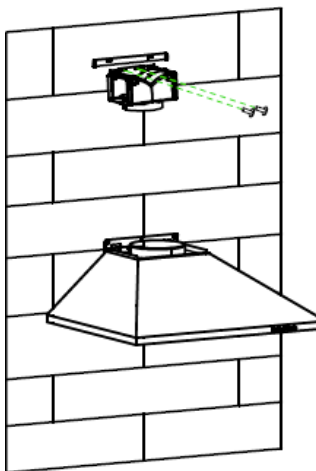
МОНТАЖ(ДЕФЛЕКТОР ЗА ВЪЗДУШНИЯ ПОТОК ЗА Т-ОБРАЗНИ МОДЕЛИ, МОДЕЛИ С ИЗВИТО СТЪКЛО, МОДЕЛИ С ПЛОСКО СТЪКЛО)

Дефлекторът за въздушния поток е посочен като включен и не е незадължителен.

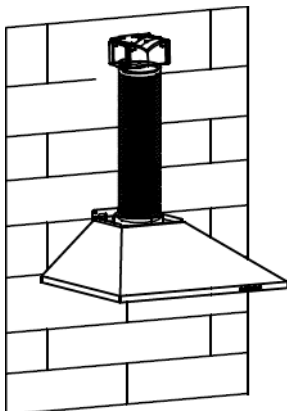
1. Закрепете скобата към Т-образния пластмасов изход с осигурените 2 бр винтове ST3.5 x 12 mm, както е показано по-долу:



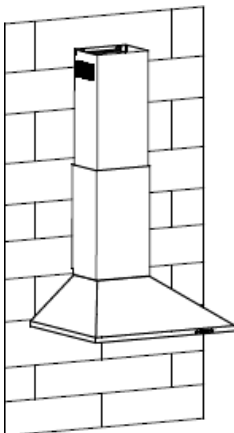
2. Пробийте 2 отвора на стената, за да поставите дюбелите, след което завинтете и затегнете скобата към стената с осигурените 2 бр винтове ST4 x 30 mm.



3. Прикрепете изпускателната тръба към изхода за въздух на абсорбатора, както е показано по-долу:



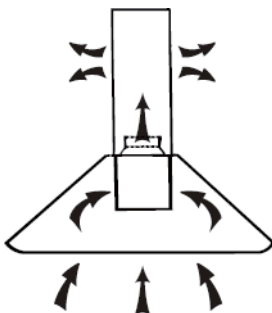
4. Монтирайте комина върху устройството и го фиксирайте.



- Имайте предвид, че Т-образният пластмасов изход и V-образните клапи не могат да се използват едновременно. Можете да ги използвате по два начина: 1) Добавете V-образна клапа на съществуващ изход; 2) Използвайте Т-образен пластмасов изход, без да добавяте V-образна клапа.
- Забележка: Продуктът е в комплект с V-образна клапа. Този аксесоар не е задължителен за монтажа, експлоатацията и употребата на продукта.

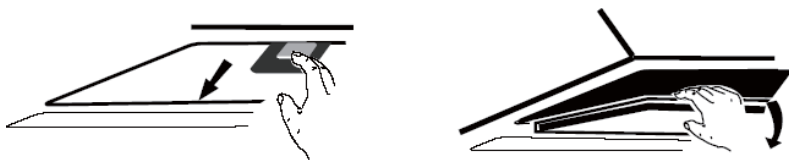
МОНТАЖ (ВЪТРЕШНА ВЕНТИЛАЦИЯ)

Ако нямате изход навън, не Ви е необходима изпускателна тръба и монтажът е подобен на този, който е показан в раздел „МОНТАЖ (ВЪНШНА ВЕНТИЛАЦИЯ)“.

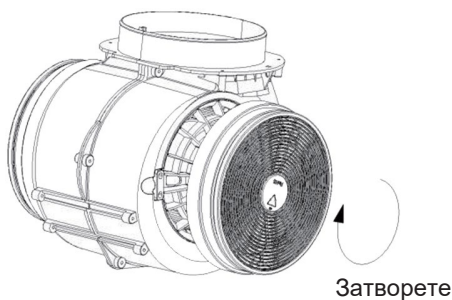


За улавяне на миризми може да се използва филтър с активен въглен.

За да монтирате филтъра с активен въглен, първо трябва да свалите филтъра за мазнини. Натиснете ключалката и я дръпнете надолу.



Поставете филтъра с активен въглен в устройството и го завъртете по посока на часовниковата стрелка. Повторете същото от другата страна.



ЗАБЕЛЕЖКА:

- o Уверете се, че филтърът е здраво захванат. В противен случай ще се разхлаби и ще причини опасност.
- o Когато е поставен филтър с активен въглен, засмукващата мощност ще бъде по-ниска.

ОПИСАНИЕ НА КОМПОНЕНТИТЕ

1 2 3 В 

ЕКСПЛОАТАЦИЯ

РЕЖИМ НА ГОТОВНОСТ .

След включване, цялото осветление, **системата в режим на готовност.**

1 **Бутон с ниска скорост**

Използва се за Вентилация в кухнята. Подходящ е за къпане и готвене, които не правят много пара.

2 **Бутон за средна скорост**

Скоростта на въздушния поток е идеална за вентилация при стандартна работа при готвене.

3 **Бутон с висока скорост**

Когато се образува висока плътност на дим или пара, натиснете бутона за висока скорост за високо ефективна вентилация.

В **Функция за усилване на мощността (Booster)**

Този абсорбатор притежава функция за усилване на мощността (Booster). За да активирате функцията за усилване на мощността (Booster), изберете **В** скорост 4, въведете най-високата скорост, докато абсорбаторът работи и той ще увеличи скоростта за 5 минути, преди отново да я забави.



Светлина

Кратка преса за осветление на & amp; изключено

Bürz taïmer: Prodūlzhitelno natiskane na butona za osvetlenie za 3 sekundi, butonite za skorost na ventilatora shte migat i sled 5 minuti otbroyavat, sled 5 minuti dvigatelyat i svetlinata shte se izklyuchat avtomatichno s tri zvukovi signala.

ПОДДРЪЖКА

Преди почистване изключете устройството и извадете щепсела.

I. Редовно почистване

Използвайте мека кърпа, навлажнена с леко сапунена вода или домакински почистващ препарат. Никога не използвайте метални четки, химикали, абразивни материали или твърди четки за почистване на устройството.

II. Месечно почистване на филтъра за мазнини

ВАЖНО: Почистването на филтъра всеки месец може да предотврати риска от пожар.

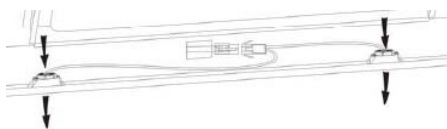
Филтърът събира мазнини, дим и прах..... затова той е от пряко значение за ефективността на абсорбатора. Ако не се почиства, остатъците от мазнина (потенциално запалими) ще се просмучат във филтъра. Почистете го с домакински почистващ препарат.

III. Годишно почистване на филтъра с активен въглен

Прилага се САМО за устройствата, които са монтирани за рецикулация (без външна вентилация). Този филтър улавя миризмите и трябва да се подменя поне веднъж годишно в зависимост от честотата на използване на абсорбатора.

IV. Смяна на крушка

Отстранете винтовете на стъклото и го свалете. Намерете крушката, която трябва да се подмени – тя се намира в осветителното тяло, разположено във видимата част на абсорбатора.



Прекъснете монтажната точка на лампата и свалете от абсорбатора държачите за крушките и окабеляването. Важно: Невъзможно е да подмените само крушките; ще трябва да си набавите крушки, държачи за крушките и окабеляването в комплект. (LED лампа: МАКС. 1.5W)

Поставете новите крушки, държачите за крушки и окабеляването по същия начин като оригиналните. След това свържете отново монтажната точка.

Поставете отново стъклото на абсорбатора и затегнете стъклените винтове. Уверете се, че винтовете са напълно затегнати.

ОТСТРАНЯВАНЕ НА ПОВРЕДИ

Повреда	Причина	Решение
Лампата свети, но вентилаторът не работи	Перката на вентилатора е заяла.	Изключете устройството и го дайте за ремонт само на квалифициран сервизен персонал.
	Моторът е повреден.	
Светлината и вентилаторът не работят	Изгаряне на халогенна крушка.	Сменете крушката с такава от правилната категория.
	Захранващият кабел се разхлабва.	Включете отново в захранването.
Силно вибриране на устройството	Перката на вентилатора е повредена.	Включете устройството и го дайте за ремонт само на квалифициран сервизен персонал.
	Моторът на вентилатора не е плътно закрепен.	Изключете устройството и го дайте за ремонт само на квалифициран сервизен персонал.
	Устройството не е закачено правилно на скобата.	Свалете устройството и проверете дали скобата е на правилното място.
Всмукването не е достатъчно ефективно	Твърде голямо разстояние между устройството и абсорбатора	Регулирайте разстоянието до 65-75 см.

ОБСЛУЖВАНЕ НА КЛИЕНТИ

Ако не можете да установите причината за неправилното функциониране, изключете уреда и се свържете със сервиза за техническо обслужване.

СЕРИЕН НОМЕР НА ПРОДУКТА. Къде мога да го намеря?

Важно е да посочите кода на продукта и серийния му номер (код с 16 знака, който започва с номер 3) на сервиза за техническо обслужване; можете да ги намерите на гаранционната карта или на табелката с данни, която се намира на уреда.

По този начин ще си спестите напразни посещения при техници, а по този начин и (което е най-важното) съответните такси за повикване.

Този уред е обозначен съгласно Европейската директива 2012/19/ЕС относно отпадъци от електрическо и електронно оборудване (ОЕЕО).

ОЕЕО съдържат и замърсяващи вещества (които могат да се отразят неблагоприятно върху околната среда) и основни компоненти (които могат да се използват повторно). Важно е ОЕЕО да преминават специфична



обработка, за да се отстранят и изхвърлят правилно всички замърсители и да се оползотворят и рециклират всички материали. Хората имат важна роля за това да се гарантира, че ОЕЕО не се превръщат в екологичен проблем; важно е да следвате някои основни правила:

ОЕЕО не трябва да се третират като битови отпадъци;

ОЕЕО трябва да се предават на съответните събирателни пунктове, управлявани от общински или от регистрирани дружества. В много държави е възможно да е осигурено събиране и извозване на ОЕЕО по домовете.

В много държави, когато купувате нов уред, можете да върнете стария на търговеца, който трябва да го вземе от дома Ви безплатно в замяна на новия уред, при условие че оборудването е от еквивалентен тип и има същите функции както доставеното оборудване.

INSTALACIJA I UPUTSTVO ZA UPOTREBU

SADRŽAJ

BEZBEDNOSNE MERE.....	117
ELEKTRIČNE INSTALACIJE	118
INSTALACIJA (zidna montaža).....	121
INSTALACIJA ASPIRATORA	122
INSTALACIJA ASPIRATORA	123
INSTALACIJA ASPIRATORA	124
INSTALACIJA ASPIRATORA	125
INSTALACIJA ASPIRATORA	126
Lista standardne instalacione opreme.....	127
INSTALACIJA (DEFLEKTOR VAZDUHA ZA MODELE T-OBLIKA, SA ZAKRIVLJENIM STAKLOM, SA RAVNIM STAKLOM)	128
INSTALACIJA (UNUTRAŠNJA VENTILACIJA).....	130
OPIS KOMPONENTI	131
RAD	131
ODRŽAVANJE.....	132
REŠAVANJE PROBLEMA	133
KORISNIČKA SLUŽBA	133

UVOD

Hvala vam što ste izabrali ovaj aspirator.

Ovo uputstvo za upotrebu je dizajnirano da vam pruži sva potrebna uputstva u vezi sa instalacijom, korišćenjem i održavanjem uređaja. Da biste pravilno i bezbedno koristili uređaj, pažljivo pročitajte ovo uputstvo za upotrebu pre instalacije i upotrebe.

Aspirator je izrađen od visokokvalitetnih materijala i odlikuje ga moderan dizajn. Opremljen elektromotorom velike snage i centrifugalnim ventilatorom, takođe obezbeđuje snažnu usisnu snagu, nizak nivo buke pri radu, filter za masnoću protiv lepljenja i jednostavnu montažu.

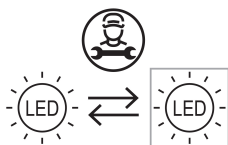
BEZBEDNOSNE MERE

- Nikada ne dozvolite deci da upravljaju mašinom.
- Ovaj aspirator je samo za kućnu upotrebu, nije pogodan za roštilj, gril i u druge komercijalne svrhe.
- Aspirator i njegov filter treba redovno da se čiste kako bi mogli pravilno da rade.
- Čistite aspirator u skladu sa uputstvom za upotrebu i držite ga dalje od izvora paljenja.
- Zabranite direktno pečenje iz gasnog šporeta. Održavajte dobru konvekciju u kuhinji.
- Pre uključivanja ovog uređaja u struju proverite da kabl za napajanje nije oštećen. Oštećeni kabl za napajanje može da zameni samo kvalifikovani serviser.
- Mora biti obezbeđena adekvatna ventilacija prostorije kada se aspirator koristi istovremeno sa uređajima na gas ili druga goriva;
- Vazduh se ne sme ispuštati u odvod koji se koristi za iodvođenje isparenja iz uređaja na gas ili druga goriva;
- Neophodno je pridržavati se propisa o odvodu vazduha.

- Na decu treba paziti kako bi se obezbedilo da se ona ne igraju s uređajem.
- Nemojte da flambirate ispod aspiratora.
- Aspirator nije predviđen za ugradnju iznad ploče za kuvanje koja ima više od četiri elementa.
- U prostoriji u kojoj se istovremeno koriste aspirator i uređaji koji sagorevaju gas ili druga goriva mora da postoji odgovarajuća ventilacija (ne važi za uređaje koji samo ispuštaju vazduh nazad u prostoriju).
- Detalji o načinu i učestalosti čišćenja.
- U slučaju da se čišćenje ne obavi u skladu sa uputstvom postoji rizik od požara.
- Ispod aspiratora ne sme da bude plamen.
- OPREZ: dostupni delovi mogu da se zagreju kada se koriste sa uređajem za kuvanje.

Opasnost od strujnog udara

- Uključite ovaj uređaj samo u pravilno uzemljenu utičnicu. Ako ste u nedoumici, potražite savet od kvalifikovanog inženjera.
- Nepridržavanje ovih uputstava može dovesti do smrti, požara ili strujnog udara.



Lampa koja se koristi u ovom proizvodu nije prikladna za upotrebu u osvetljenju prostorije. Svrha ove svjetiljke je osigurati osvetljenje za upotrebu proizvoda.

ELEKTRIČNE INSTALACIJE

Sve instalacije mora da izvede nadležno lice ili kvalifikovani električar. Pre povezivanja na izvor napajanja proverite da li napon mreže odgovara naponu na nazivnoj pločici.

Direktno povezivanje

Uređaj mora biti direktno povezan na mrežu pomoću onipolarnog prekidača sa minimalnim otvorom od 3 mm između kontakata.

Lice koje vrši instalaciju mora da se uveri da je napravljen ispravan električni priključak i da je u skladu sa dijagramom ožičenja.

Kabl ne sme biti savijen ili sabijen.

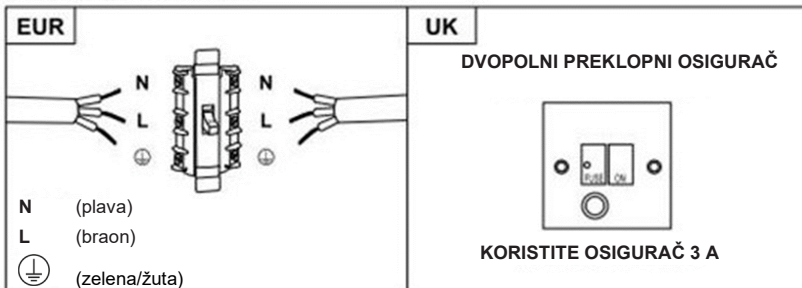
Redovno proveravajte da utikač i kabl za napajanje nisu oštećeni. Ako je kabl za napajanje oštećen, mora biti zamenjen posebnim kablom ili sklopom koji se može nabaviti kod proizvođača ili njegovog servisera.

UPOZORENJE: Ovo je uređaj klase I i MORA biti uzemljen. Ovaj uređaj se isporučuje sa trožilnim kablom za napajanje koji je obojen na sledeći način:

braon = L ili faza

plava = N ili nula

zelena i žuta = E ili uzemljenje (⊥)



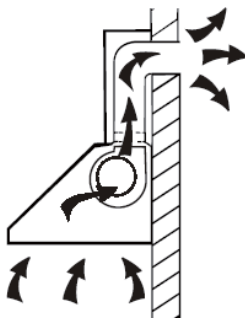
Osigurač mora biti određen na 3 ampera.

Lista standardne instalacione opreme

Specifikacije	Ilustracija	Količina
Kućište aspiratora		1
Donji dimnjak (500 mm)		1
Gornji dimnjak (500 mm)		1
Nosač gornjeg dimnjaka		1
Nosač donjeg dimnjaka		1
Nosač aspiratora		1
Ø 8 umeci za zavrtnje Ø 8× Ø 6 bela boja		9
Zavrtnaj (ST4 * 30 mm)		9
Zavrtnaj (ST4 * 8 mm)		6
Odvod vazduha		1
Karbonski filter		2

INSTALACIJA (zidna montaža)

Ako imate izlaz ka spolja, aspirator se može povezati kao na slici ispod pomoću odvodnog kanala (emajl, aluminijum, nezapaljiva fleksibilna cev sa unutrašnjim prečnikom od 150 mm).



1. Pre instalacije isključite uređaj i izvucite kabl iz utičnice.



2. Aspirator treba da bude postavljen na udaljenosti od 65~75 cm iznad ploče za kuvanje kako bi se postigao najbolji efekat.

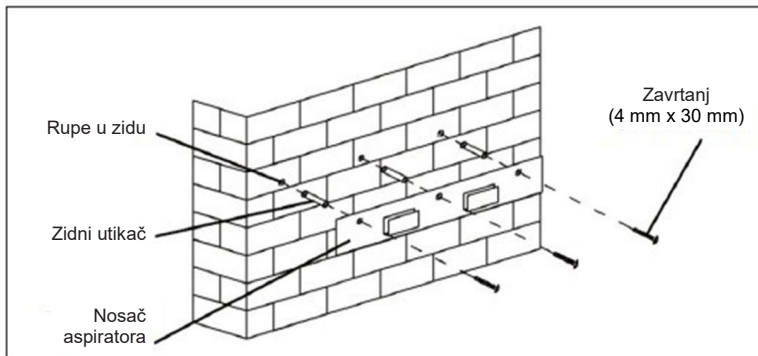


INSTALACIJA ASPIRATORA

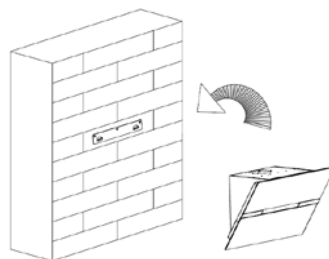
Postavite aspirator na željenu visinu poštujući minimalnu visinu iznad ploče za kuvanje.

Označite lokaciju zidnog nosača (postavite rupe između 700 i 800 mm iznad radne površine). Skinite aspirator i postavite zidni nosač kako biste označili mesta rupa na zidu.

Izbušite 3 rupe u zidu da biste umetnuli odgovarajući sistem za pričvršćivanje (šraf ST4 x 30 mm).



Okačite aspirator na zaseke zidnog nosača.

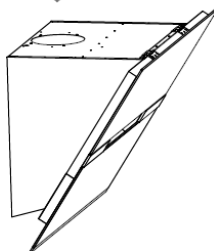
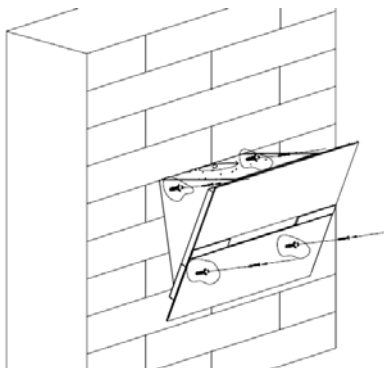


INSTALACIJA ASPIRATORA

Kada je aspirator postavljen, pronađite mesta 4 dodatna zavrtnja za montažu na zid kao što je prikazano na sledećem dijagramu.

Skinite aspirator da biste probili zid i instalirali zidne utikače.

Pričvrstite kućište aspiratora pomoću 4 zavrtnja prečnika 4 mm pomoću tipli prilagođenih vašem zidu.



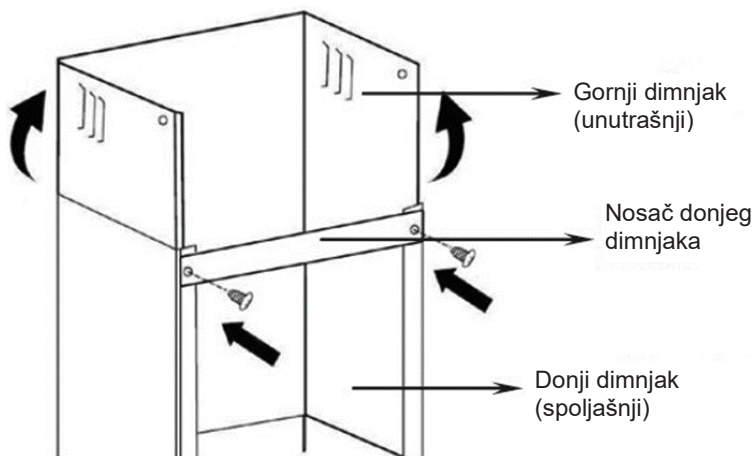
Ako je izabran režim ekstrakcije, postavite odvod izduvnog vazduha na izlaz vazduha kao što je prikazano.

INSTALACIJA ASPIRATORA

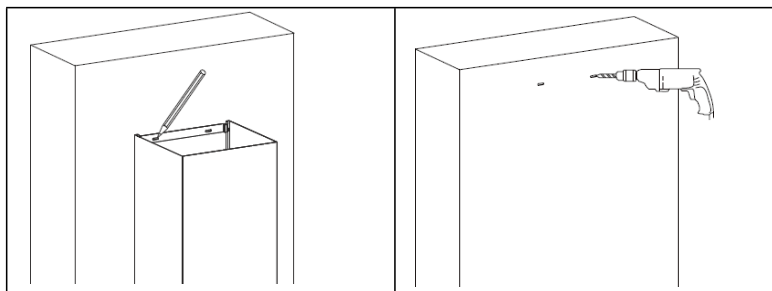
Pričvrstite nosač donjeg dimnjaka na donji dimnjak kao što je prikazano. Koristite 2 zavrtnja ST4 x 8 mm.

(Nemojte previše zatezati zavrtnje, uverite se da gornji dimnjak može lako da sklizne u donji dimnjak)

Umetnite gornji dimnjak u donji dimnjak.



Postavite donji dimnjak u uređaj, a zatim označite rupe na zidu.

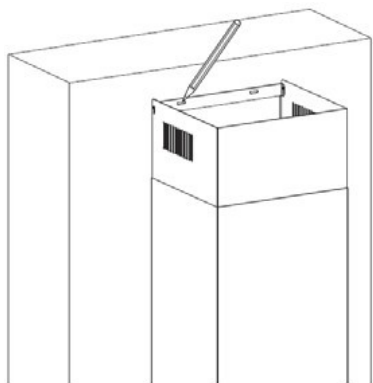
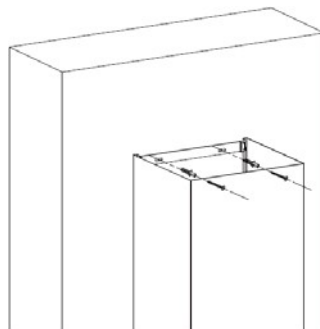


Uklonite donji dimnjak, a zatim izbušite rupe u zidu: otvor za zavrtnj prečnika Ø 8 mm.

Koristite tiple prilagođene vašem zidu.

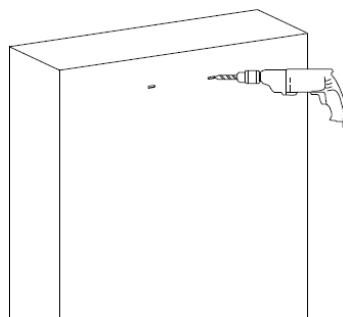
INSTALACIJA ASPIRATORA

Ugradite donji dimnjak, a zatim ga pričvrstite za zid sa 2 zavrtnja prečnika \varnothing 8 mm.



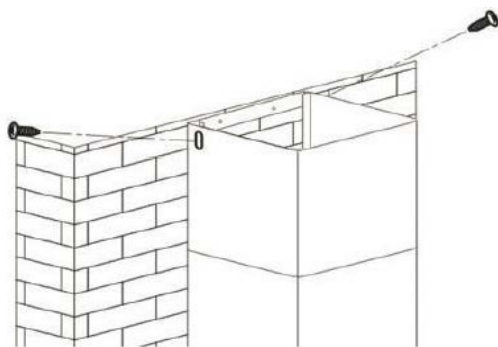
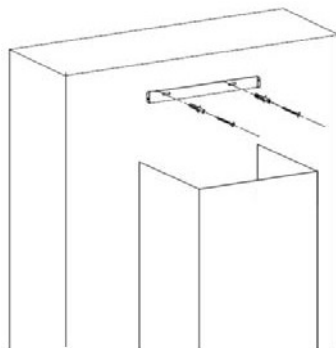
Zatim povucite gornji dimnjak na željenu visinu. Označite mesta montažnih otvora nosača gornjeg dimnjaka.

Spustite gornji dimnjak i izbušite rupe u zidu. Umetnite tiple prilagođene zidu.



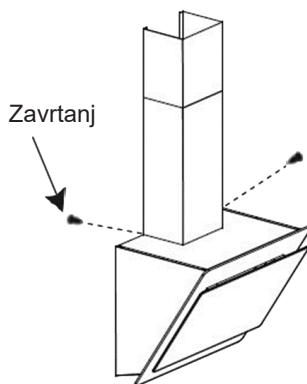
INSTALACIJA ASPIRATORA

Pričvrstite zidni nosač gornjeg dimnjaka za zid pomoću izabranih tipli (preporučuju se zavrtnji od 8 mm).








Ponovo montirajte gornji dimnjak i pričvrstite ga za zidni nosač pomoću 2 zavrtnja ST4 x 8 mm.

Pričvrstite donji dimnjak na nosače aspiratora pomoću 2 zavrtnja ST4 x 8 mm.



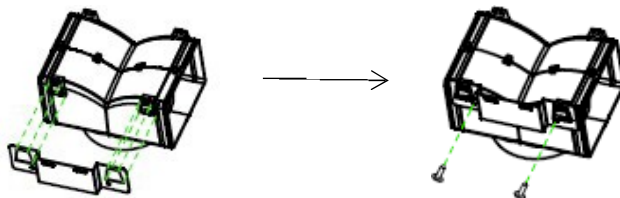
Lista standardne instalacione opreme

Specifikacije	Ilustracija	Količina
Deflektor vazduha		1
Nosač		1
Ø 8 umeci za zavrtnje Ø 8 × Ø 6 bela boja		2
Zavrtnji ST4.0 × 30		2
Zavrtnji ST3.5 × 12		2

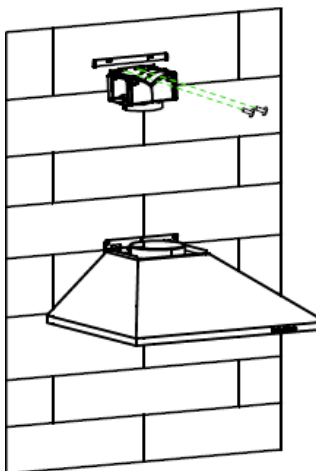
INSTALACIJA (DEFLEKTOR VAZDUHA ZA MODELE T-OBLIKA, SA ZAKRIVLJENIM STAKLOM, SA RAVNIM STAKLOM)

Deflektor vazduha je naveden kao sastavni deo, a ne kao opcija.

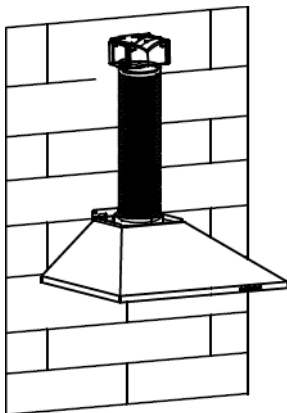
1. Pričvrstite nosač na plastičnu utičnicu u obliku slova T pomoću 2 isporučena zavrtnja ST3.5 x 12 mm kao što je prikazano u nastavku:



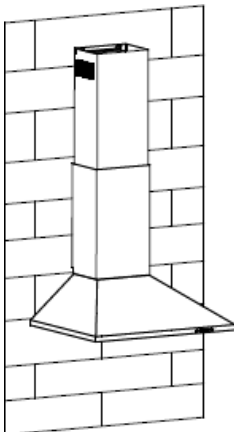
2. Izbušite 2 rupe na zidu da biste postavili zidne utikače, zatim zavrtnite i zategnite nosač na zid isporučenim zavrtnjima (2 kom, ST4 x 30 mm).



3. Pričvrstite izduvnu cev na izlaz vazduha iz aspiratora kao što je prikazano u nastavku:



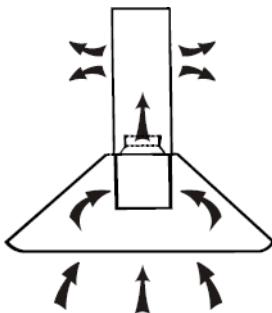
4. Postavite dimnjak na jedinicu i pričvrstite ga.



- Imajte na umu: Plastična utičnica u obliku slova T i v-poklopac ne mogu se koristiti istovremeno. Možete ih koristiti na dva načina: 1) dodajte v-poklopac na postojeću utičnicu; 2) koristite plastičnu utičnicu u obliku slova T, bez dodavanja v-poklopca.
- Napomena: Proizvod je opremljen dodatkom v-poklopac. Ovaj dodatak nije neophodan za instalaciju, rad i upotrebu proizvoda.

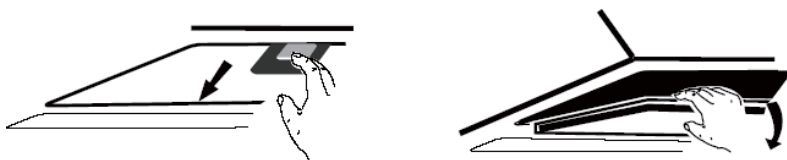
INSTALACIJA (UNUTRAŠNJA VENTILACIJA)

Ako nemate izlaz ka spolja, izduvna cev nije potrebna i instalacija je slična onoj prikazanoj u odeljku „INSTALACIJA (SPOLJAŠNJA VENTILACIJA)“.

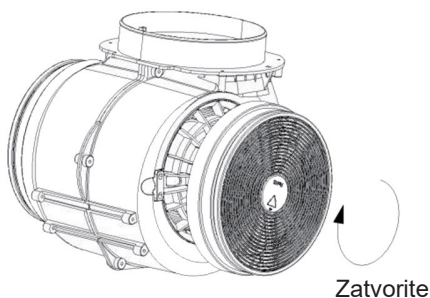


Filter sa aktivnim ugljem se može koristiti za upijanje neprijatnih mirisa.

Da biste instalirali filter sa aktivnim ugljem, prvo treba ukloniti filter za masnoću. Pritisnite bravicu i povucite je nadole.



Uključite filter sa aktivnim ugljem u jedinicu i okrenite ga u smeru kazaljke na satu. Isto ponovite i na drugoj strani.



NAPOMENA:

- o *Proverite da li je filter dobro zaključan. Inače bi se mogao olabaviti i prouzrokovati opasnost.*
- o *Kada je pričvršćen filter sa aktivnim ugljem, usisna snaga će biti manja*

OPIS KOMPONENTA

1

2

3

B



RAD

REŽIM PRIPRAVNOSTI.

Nakon uključivanja, celo osvetljenje, sistem u STANDBI MODE.

1 Dugme za malu brzinu
Koristi se za ventilaciju u kuhinji. Pogodan je za dinstanje i kuvanje koje ne stvara puno pare.

2 Dugme srednje brzine
Brzina protoka vazduha idealna je za ventilaciju u standardnom kuvanju.

3 Dugme velike brzine
Kada nastaje velika gustina dima ili pare, pritisnite dugme velike brzine za efikasnu ventilaciju.

B Pojačala funkcija
Ova kapuljača ima funkciju pojačivača. Da biste aktivirali pojačivač, pritisnite **B** do brzine 4, uđite u najveću brzinu dok je hauba u upotrebi i povećavaće brzinu 5 minuta, pre ponovnog usporavanja.



Svetlost

Za UKLJUČENO I ISKLJUČENO osvetljenje.

Brzi tajmer: Dugo držite pritisnuto dugme za svetlo 3 sekunde, dugmad za brzinu ventilatora će treptati i odbrojavati u 5 minuta, nakon 5 minuta motor i svetlo će se automatski isključiti sa tri zvučna signala.

ODRŽAVANJE

Pre čišćenja isključite uređaj i izvucite utikač.

I. Redovno čišćenje

Koristite meku krpu navlaženu blagom sapunicom ili deterdžentom za čišćenje u domaćinstvu. Nikada nemojte koristiti metalne jastučice, hemijske, abrazivne materijale ili krute četke za čišćenje jedinice.

II. Mesečno čišćenje filtera za masnoću

OSNOVNO: Čišćenje filtera svakog meseca sprečava opasnost od požara.

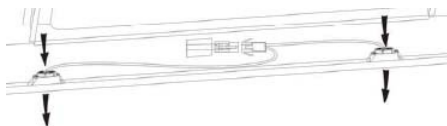
Filter prikuplja masnoću, dim i prašinu..... tako da filter direktno utiče na efikasnost aspiratora. Ako se ne očisti, ostaci masnoće (potencijalno zapaljivi) će natopiti filter. Očistite ga deterdžentom za čišćenje domaćinstva.

III. Godišnje čišćenje filtera sa aktivnim ugljem

Koristite ISKLJUČIVO s jedinicom koja je instalirana kao recirkulaciona jedinica (ne odzračuje se ka spolja). Ovaj filter upija neprijatne mirise i mora se zameniti najmanje jednom godišnje, u zavisnosti od učestalosti korišćenja aspiratora.

IV. Zamena sijalice

Uklonite zavrtnje na staklu, skinite staklo aspiratora. Pronađite sijalicu koju treba zameniti, a koja se nalazi u svetiljki unutar otvorenog dela nadstrešnice.



Isključite tačku ožičenja i uklonite držače sijalice i ožičenje sa aspiratora. Važno: Nije moguće zameniti sijalice pojedinačno, moraćete da nabavite sijalice, držače sijalica i ožičenje kao komplet. (LED svetlo: MAKS. 1,5 W)

Postavite zamenske sijalice, držače sijalica i ožičenje na isti način kako su bili postavljeni originali. Zatim ponovo spojite tačku ožičenja osvetljenja.

Ponovo postavite staklo aspiratora i pričvrstite zavrtnje za staklo. Uverite se da su zavrtnji potpuno zategnuti.

REŠAVANJE PROBLEMA

Kvar	Uzrok	Rešenje
Svetlo je uključeno, ali ventilator ne radi	Lopatica ventilatora se zaglavila.	Isključite jedinicu i angažujte samo ovlašćenog servisera za popravku.
	Motor je oštećen.	
Svetlo i ventilator ne rade	Halogena sijalica je pregorela.	Zamenite je odgovarajućom sijalicom.
	Kabel za napajanje se izvukao.	Ponovo uključite uređaj u struju.
Jedinica snažno vibrira	Lopatica ventilatora je oštećena.	Isključite jedinicu i angažujte samo ovlašćenog servisera za popravku.
	Motor ventilatora nije dobro pričvršćen.	Isključite jedinicu i angažujte samo ovlašćenog servisera za popravku.
	Uređaj nije pravilno okačen na nosač.	Skinite jedinicu i proverite da li je nosač na odgovarajućem mestu.
Učinak usisavanja nije dobar	Prevelika udaljenost između uređaja i ploče za kuvanje	Podesite rastojanje na 65-75 cm.

KORISNIČKA SLUŽBA

Ako ne možete da identifikujete uzrok nepravilnosti u radu, isključite uređaj i obratite se Korisničkoj službi.

SERIJSKI BROJ PROIZVODA. Gde se nalazi?

Važno je da obavestite Korisničku službu o šifri vašeg proizvoda i njegovom serijskom broju (šifra od 16 znakova koja počinje brojem 3); ona se nalazi na garanciji ili na pločici sa podacima koja se nalazi na uređaju.

To će pomoći da se izbegnu nepotrebni odlasci u servis, čime će se (i što je najznačajnije) uštedeti troškovi izlaska na teren.

Ovaj uređaj je označen u skladu sa direktivom Evropske unije 2012/19/EU o otpadnoj elektronskoj i električnoj opremi (OEEO). OEEO sadrži obe zagađujuće supstance (koje mogu imati negativne posledice po životnu sredinu) i osnovne komponente (koje se mogu ponovo koristiti). Važno je da OEEO bude podvrgnuta posebnim



tretmanima u cilju uklanjanja i pravilnog odlaganja svih zagađujućih materija, kao i prikupljanja i recikliranja svih materijala.

Pojedinci mogu da igraju važnu ulogu u obezbeđivanju da OEEO ne postane ekološki problem; neophodno je pratiti neka osnovna pravila:

OEEO se ne sme tretirati kao kućni otpad;

OEEO se predaje mestima nadležnim za prikupljanje takvog otpada kojima upravlja opština ili registrovana preduzeća. U mnogim zemljama, za velike OEEO dostupna je usluga preuzimanja na kućnoj adresi.

U mnogim zemljama, kada kupite novi uređaj, stari možete da vratite prodavcu koji treba da ga preuzme besplatno po principu jedan-za-jedan, sve dok je oprema odgovarajućeg tipa i ima iste funkcije kao isporučena oprema.

UPUTE ZA UGRADNJU I UPORABU

Sadržaj

UVOD	136
MJERE OPREZA	136
ELEKTRIČNA INSTALACIJA	138
SPECIFIKACIJA	139
UGRADNJA (OTVOR VANI)	140
UGRADNJA (OTVOR UNUTRA)	149
OPIS KOMPONENTI	150
RAD	150
ODRŽAVANJE	151
RJEŠAVANJE PROBLEMA	152
USKLAĐENOST S DIREKTIVAMA	152
ZAŠTITA OKOLIŠA	152

UVOD

Zahvaljujemo što ste odabrali ovu napa za štednjak.

Ovaj priručnik namijenjen je pružanju svih potrebnih uputa vezanih uz ugradnju, uporabu i održavanje uređaja.

Kako biste pravilno i sigurno upravljali uređajem, pažljivo pročitajte ovaj priručnik prije ugradnje i uporabe.

Napa za štednjak koristi visokokvalitetne materijale, a izrađena je racionaliziranim dizajnom. Opremljena velikim elektromotorom i centrifugalnim ventilatorom, također pruža snažnu usisnu snagu, rad s niskom razinom buke, filter za masnoću i jednostavnu montažu.

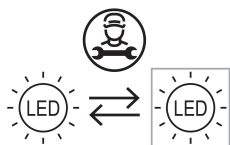
MJERE OPREZA

- Nikada ne dopustite djeci da upravljaju uređajem.
- Napa za štednjak samo je za kućnu uporabu, nije prikladna za roštilj, pečenje i druge komercijalne svrhe.
- Napa za štednjak i njezin filter trebaju se redovito čistiti kako bi ostali u dobrom radnom stanju.
- Očistite napa za štednjak prema uputama za uporabu i čuvajte uređaj od pregorijevanja.
- Spriječite izravno pečenje iz plinskog štednjaka. Održavajte dobru konvekciju u kuhinji.
- Prije spajanja uređaja provjerite je li kabel za napajanje oštećen. Oštećeni kabel za napajanje smije zamijeniti samo kvalificirano servisno osoblje.
- Prostorija mora biti propisno provjetrena kada se napa za štednjak rabi istovremeno s uređajima na plin ili druga goriva;
- Zrak se ne smije ispustiti u dimnjak koji se rabi za ispušne plinove uređaja na plin ili druga goriva;
- Treba se pridržavati propisa o ispuštanju zraka.
- Potreban je nadzor nad djecom kako bi se osiguralo da se ne igraju uređajem.
- Ne flambirajte hranu ispod nape za štednjak.
- Napa za štednjak nije namijenjena ugradnji iznad ploče za kuhanje koja ima više od četiri elementa

- Potrebna je odgovarajuća ventilacija prostorije kada se napa za štednjak koristi istodobno s uređajima na plin ili druga goriva (ne odnosi se na uređaje koji samo ispuštaju zrak natrag u prostoriju);
- pojednosti o načinu i učestalosti čišćenja.
- postoji rizik od požara ako se čišćenje ne provodi u skladu s uputama;
- nemojte koristiti otvoreni plamen ispod nape;
- **OPREZ:** Prilikom uporabe s uređajima za kuhanje dostupni dijelovi mogu se zagrijati.

Opasnost od strujnog udara

- Ovaj uređaj priključite samo u pravilno uzemljenu utičnicu. Ako ste u nedoumici, potražite savjet od odgovarajuće kvalificiranog inženjera.
- Nepoštivanje ovih uputa može dovesti do smrti, požara ili strujnog udara.



Svjetiljka koja se koristi u ovom proizvodu nije prikladna za uporabu u osvjetljenju prostorije.

Svrha ove svjetiljke je osigurati osvjetljenje za upotrebu proizvoda.

Električna instalacija

Sve radove ugradnje smije provesti samo osposobljena osoba ili kvalificirani električar. Prije spajanja mrežnog napajanja provjerite odgovara li mrežni napon naponu na natpisnoj pločici.

Izravno spajanje

Ako se uređaj spaja izravno na mrežu, treba ugraditi svepolni prekidač strujnog kruga uz razmak od najmanje 3 mm između kontakata.

Instalater se treba pobrinuti za ispravno električno spajanje te da je u skladu sa shemom ožičenja.


Kabel se ne smije savijati ni sabijati.

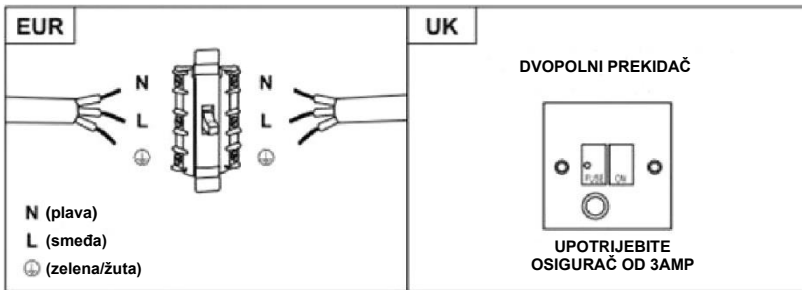
Redovito provjeravajte jesu li utikač i kabel za napajanje oštećeni. Ako je kabel za napajanje oštećen, mora se zamijeniti posebnim kabelom ili sklopom dostupnim od proizvođača ili njegovog servisera.

UPOZORENJE: Ovo je uređaj klase I i MORA biti uzemljen. Ovaj uređaj isporučuje se s 3-jezgrenom električnim kabelom u boji kako slijedi:

Smeđa = P ili pozitivni


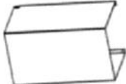









Plava = N ili neutralni

Zelena i žuta = U ili uzemljivač 



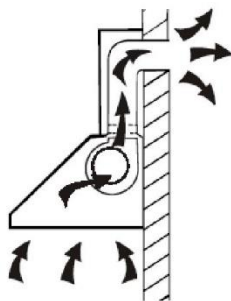
Snaga osigurača mora biti 3 ampera.

Popis standardne opreme za ugradnju

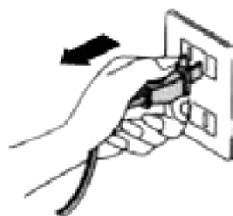
Spec.	Slika ilustracije	Kol.
Tijelo nape		1
Donji dimnjak (500mm)		1
Gornji dimnjak (500mm)		1
Nosač gornjeg dimnjaka		1
Nosač donjeg dimnjaka		1
Nosač nape za štednjak		1
ø8 zidni čepovi ø8 × ø6 bijela boja		9
Vijak (ST4 * 30 mm)		9
Vijak (ST4 * 8 mm)		6
Izlaz zraka		1
Ugljeni filter		2

UGRADNJA (postavljanje na zid)

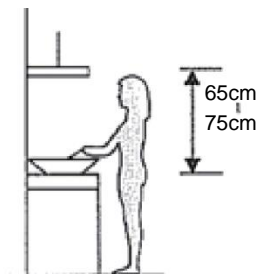
Ako imate izlaz prema van, možete spojiti napu za štednjak kako je prikazano na donjoj slici s pomoću isisnog kanala (emajl, aluminij, savitljiva cijev koja nije zapaljiva, unutarnjeg promjera 150 mm)



1. Prije ugradnje isključite jedinicu i iskopčajte je iz utičnice.



2. Napu za štednjak treba postaviti na udaljenost od 65~75cm iznad površine za kuhanje radi najboljih rezultata.

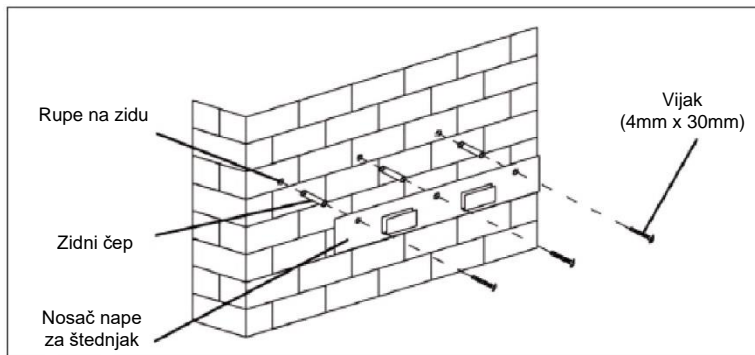


UGRADNJA NAPE

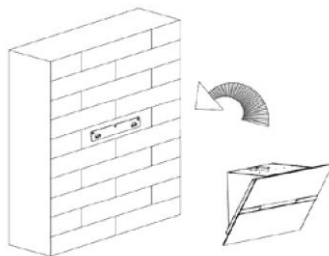
Postavite napu na željenu visinu poštujući minimalnu visinu iznad ploče.

Označite lokaciju zidnog nosača. (Postavite rupe između 700 i 800 mm iznad radne površine) Skinite napu i postavite zidni nosač kako biste označili mjesta rupa na zidu.

Izbušite 3 rupe u zidu kako biste umetnuli odgovarajući sustav pričvršćivanja (vijak ST4x30mm).



Postavite napu u zareze zidnog nosača.

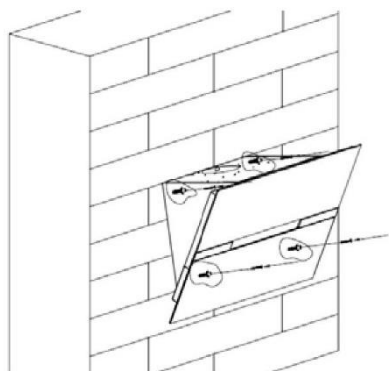


UGRADNJA NAPE

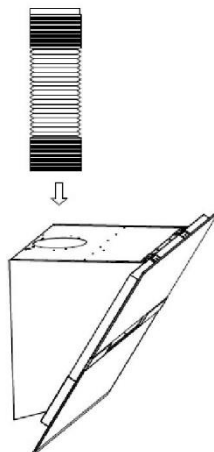
Nakon što je napa postavljena, pronađite mjesto 4 dodatna vijka za zidnu montažu kao što je prikazano na sljedećem dijagramu.

Skinite napu kako biste izbušili zid i postavili zidne čepove.

Pričvrstite tijelo nape s pomoću 4 vijka promjera 4 mm koristeći tiple prilagođene vašem zidu.



Ako je odabran način izvlačenja, postavite kanal za ispušni zrak na izlaz zraka kao što je prikazano.



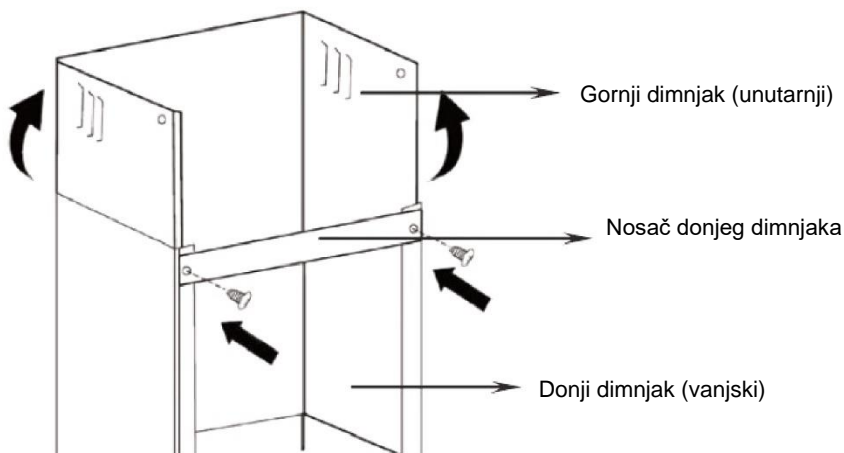
UGRADNJA NAPE

Pričvrstite nosač donjeg dimnjaka na donji dimnjak kako je prikazano.

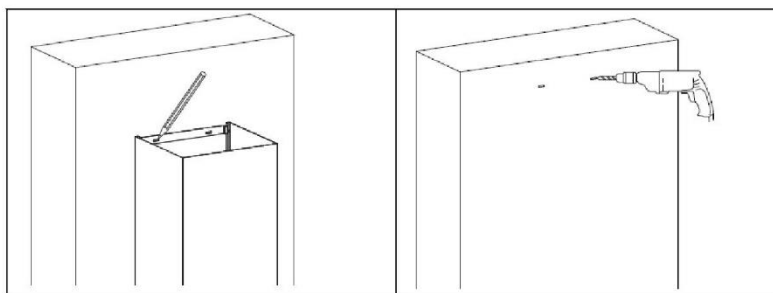
Koristite 2 vijka ST4x8mm.

(Nemojte previše zatezati vijke, pobrinite se da gornji dimnjak može lako kliznuti u donji dimnjak)

Umetnite gornji dimnjak u donji dimnjak.



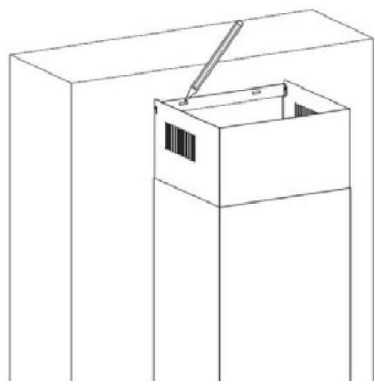
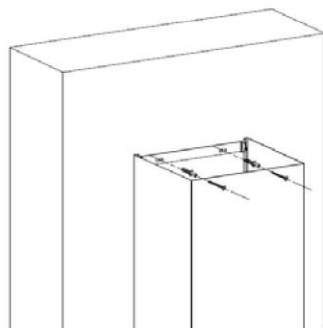
Postavite donji dimnjak u uređaj, a zatim označite rupe na zidu.



Uklonite donji dimnjak, a zatim izbušite rupe u zidu: otvor za promjer vijka \varnothing 8 mm
Upotrijebite tiple prilagođene vašem zidu

UGRADNJA NAPE

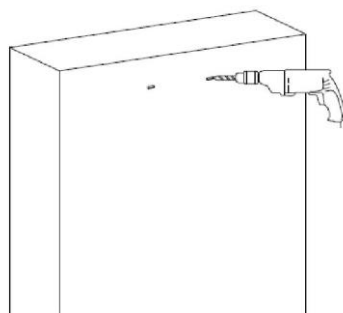
Ugradite donji dimnjak, zatim ga pričvrstite na zid koristeći 2 vijka promjera \varnothing 8 mm



Zatim povucite gornji dimnjak prema gore do željene visine. Označite mjesta montažnih rupa nosača gornjeg dimnjaka.

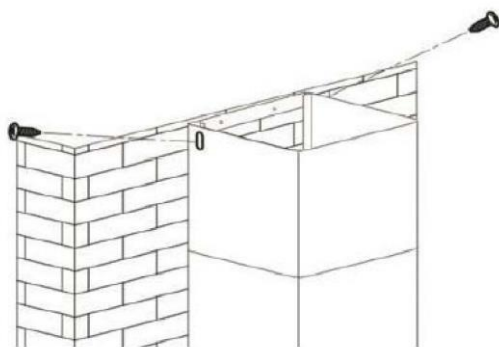
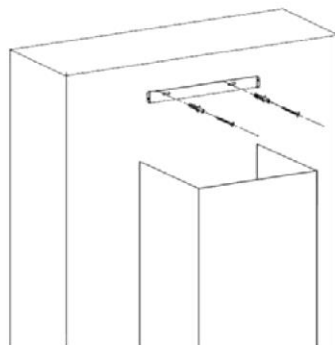
Spustite gornji dimnjak, a zatim izbušite rupe u zidu.

Umetnite tiple prilagođene vašem zidu



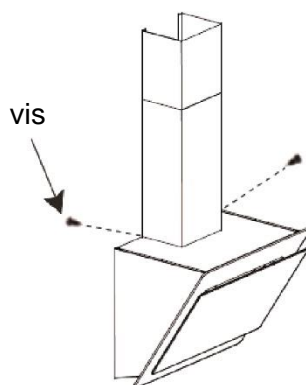
UGRADNJA NAPE

Pričvrstite zidni nosač gornjeg dimnjaka na zid s pomoću odabranih tipli (preporučuju se vijci od 8 mm).

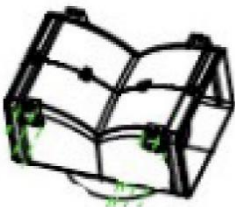






Ponovno montirajte gornji dimnjak i pričvrstite ga na zidni nosač s pomoću 2 vijka ST4x8mm

Pričvrstite donji dimnjak na ušice kuhinjske nape s pomoću 2 vijka ST4x8mm.



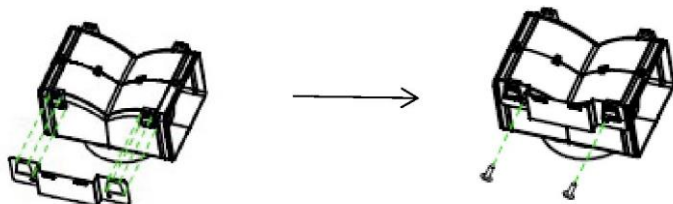
Popis standardne opreme za ugradnju

Spec.	Slika ilustracije	Kol.
Zračni deflektor		1
nosač		1
ø8 zidni čepovi ø8 x ø6 bijela boja		2
Vijci ST4.0x30		2
Vijci ST3.5*12		2

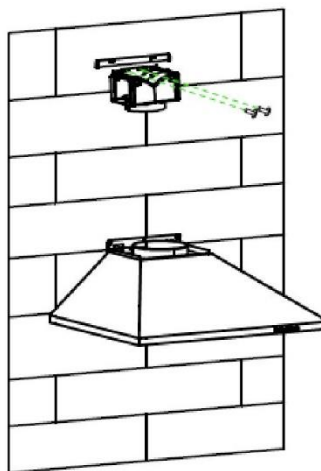
UGRADNJA (ZRAČNI DEFLEKTOR ZA MODELE U OBLIKU SLOVA T, ZAKRIVLJENO STAKLO, RAVNO STAKLO):

Zračni deflektor naveden je kao uključen i nije opcionalan.

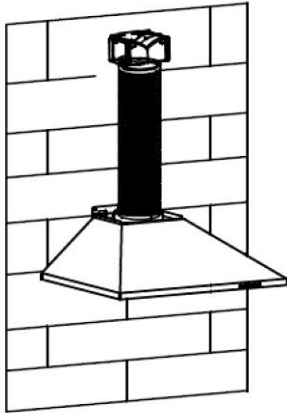
1. Pričvrstite nosač na plastičnu utičnicu u obliku slova T s pomoću isporučених vijaka 2 kom ST3.5x12mm kako je prikazano u nastavku:



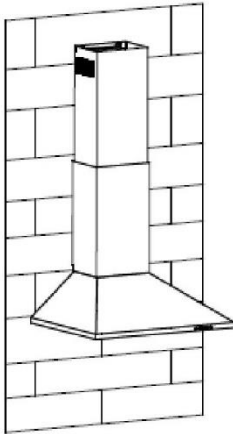
2. Izbušite 2 rupe u zidu kako biste umetnuli zidne čepove, zatim zavrните i zategnite nosač na zid s pomoću isporučених vijaka 2 kom ST4x30mm.



3. Pričvrstite ispušnu cijev na izlaz zraka nape za štednjak kako je prikazano u nastavku:



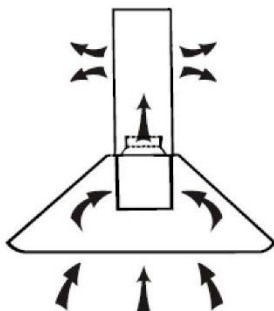
4. Ugradite dimnjak na jedinicu i pričvrstite ga.



- "Napominjemo: Istodobno se ne mogu koristiti plastični izlaz u obliku slova T i v-zaklopke. Možete ih upotrebljavati na dva načina: 1) Dodajte v-zaklopku na postojeći izlaz; 2) Koristite plastični izlaz u obliku slova T, bez dodavanja v-zaklopke."
- "Napomena: Proizvod je opremljen priborom za v-zaklopku. Ovaj pribor nije obavezan za ugradnju, rad i uporabu proizvoda."

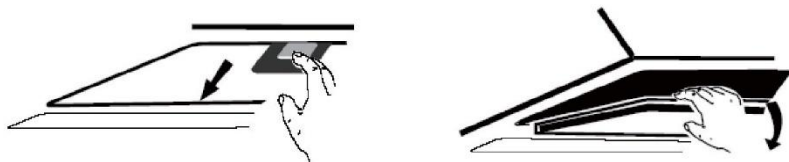
UGRADNJA (OTVOR UNUTRA)

Ako nemate izlaz na vanjskoj strani, ispušna cijev nije potrebna i ugradnja je slična onoj prikazanoj u odjeljku "UGRADNJA (OTVOR VANI)".

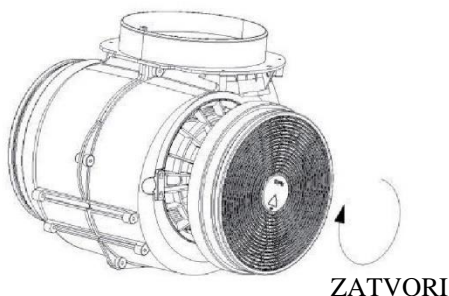


Filtar od aktivnog ugljena može se upotrijebiti za sprječavanje širenja neugodnih mirisa.

Kako biste ugradili filtar od aktivnog ugljena, prvo morate odvojiti filtar za masnoću. Pritisnite zapinjač i povucite ga prema dolje.



Priključite filtar s aktivnim ugljenom u jedinicu i okrenite ga u smjeru kazaljke na satu. Isto ponovite i na drugoj strani.



NAPOMENA:

- o *Filtar mora biti sigurno zaključan. Inače bi mogao olabaviti i prouzročiti opasne situacije.*
- o *Kada je filtar od aktivnog ugljena pričvršćen, usisna je snaga manja*

OPIS KOMPONENTI

1

2

3

B



RAD

STANJE MIROVANJA.

Nakon uključivanja, osvjetljenje, sustav u **STANJU MIROVANJA**.

1

Gumb niske brzine

Upotrebljava se za ventilaciju u kuhinji. Prikladno za lagano vrenje i kuhanje koje ne proizvodi puno pare.

2

Gumb srednje brzine

Brzina protoka zraka idealna je za ventilaciju pri standardnom kuhanju.

3

Gumb visoke brzine

Prilikom stvaranja dima visoke gustoće ili pare, pritisnite gumb visoke brzine za visokoučinkovitu ventilaciju.

B Funkcija pojačivača

Ova napa ima funkciju pojačivača. Da biste aktivirali pojačivač, pritisnite

B do brzine 4 pokrenite najveću brzinu dok je napa u upotrebi i ona će povećati brzinu na 5 minuta, prije nego što opet uspori.



Svjetlo

Kratko pritiskanje za uključivanje i isključivanje osvjetljenja

Brzi brojač: Pritisnite gumb za svjetlo i držite 3 sekunde, gumbi za brzinu ventilatora trepere i započinje odbrojavanje od 5 minuta, nakon 5 minuta motor i svjetlo automatski se isključuju uz tri zvučna signala.

ODRŽAVANJE

Prije čišćenja najprije isključite uređaj i izvucite utikač.

I. Redovito čišćenje

Koristite meku krpu navlaženu mlakom vodom s blagim sapunom ili deterdžentom za čišćenje kućanstva. Nikada nemojte koristiti metalne spužve, kemikalije, abrazivne materijale ili krutu četku za čišćenje jedinice.

II. Mjesečno čišćenje filtra za masnoću

BITNO: Očistite filter svaki mjesec kako biste spriječili opasnost od požara.

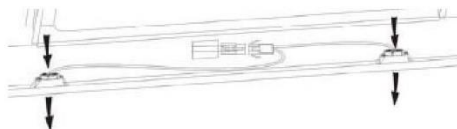
Filtar prikuplja masnoću, dim i prašinu.....tako da filter izravno utječe na učinkovitost nape za štednjak. Ako se ne očisti, ostaci masnoće (potencijalno zapaljivi) zasitit će filter. Očistite ga deterdžentom za čišćenje kućanstva.

III. Godišnje čišćenje filtra od aktivnog ugljena

Primjenjuje se ISKLJUČIVO na jedinicu koja je ugrađena kao jedinica za recirkulaciju (bez ventilacije izvana). Ovaj filter zadržava mirise i mora se zamijeniti najmanje jednom godišnje, ovisno o učestalosti uporabe nape za štednjak.

IV. Zamjena žarulje

Skinite vijke sa stakla, skinite staklo nape. Pronađite žarulju koja zahtijeva zamjenu, pronaći ćete je smještenu u rasvjetnom tijelu koje se nalazi unutar izloženog dijela pokrova.



Odspojite ožičenje i uklonite držače žarulja i ožičenje s nape. Važno: Nije moguće pojedinačno zamijeniti žarulje, bit će potrebno dobiti žarulje, držače žarulja i ožičenje kao cjeloviti dio. (LED diode: MAKS. 1,5 W)

Postavite zamjenske žarulje, držače žarulja i ožičenje na isti način kao i originale. Zatim ponovno spojite ožičenje svjetla.

Ponovno postavite staklo nape i pričvrstite vijke za staklo. Provjerite jesu li vijci potpuno zategnuti.

RJEŠAVANJE PROBLEMA

Kvar	Uzrok	Rješenje
Svjetlo je uključeno, ali ventilator ne radi	Oštrica ventilatora se zaglavila.	Isključite jedinicu i pozovite kvalificirano servisno osoblje.
	Motor je oštećen.	
Svjetlo i ventilator ne rade	Halogena žarulja gori.	Zamijenite žarulju žaruljom ispravne snage.
	Kabel za napajanje se otpušta.	Ponovno priključite na napajanje.
Ozbiljne vibracije jedinice	Oštećena je oštrica ventilatora.	Isključite jedinicu i pozovite kvalificirano servisno osoblje.
	Motor ventilatora nije čvrsto pričvršćen.	Isključite jedinicu i pozovite kvalificirano servisno osoblje.
	Jedinica nije pravilno pričvršćena na nosač.	Skinite jedinicu i provjerite je li nosač na odgovarajućem mjestu.
Učinak usisavanja nije dobar	Prevelika udaljenost između jedinice i površine za kuhanje	Ponovno podesite udaljenost na 65-75 cm

SLUŽBA ZA KORISNIKE

Ako ne možete utvrditi uzrok nepravilnosti u radu, isključite uređaj i obratite se službi za pomoć.

SERIJSKI BROJ PROIZVODA. Gdje ga mogu pronaći?

Važno je da obavijestite Službu za pomoć o svom proizvodu i njegovom serijskom broju (kôd od 16 znakova koji počinje s brojem 3); to možete pronaći na jamstvenom listu ili na podatkovnoj pločici koja se nalazi na uređaju.

To će vam pomoći da izbjegnute uzaludna putovanja do tehničara, čime ćete (i što je najvažnije) uštedjeti odgovarajuće dodatne troškove.

Ovaj uređaj označen je sukladno Direktivi 2012/19/EZ

o otpadnoj električnoj i elektroničkoj opremi (WEEE).

WEEE sadrži i onečišćujuće tvari (koje mogu uzrokovati negativne posljedice za okoliš) i osnovne komponente

(koje se mogu ponovno koristiti). Važno je da se oprema WEEE obrađuje primjenom odgovarajućih postupaka kako bi se uklonili i pravilno zbrinuli svi zagađivači te prikupili i reciklirali svi materijali.



Pojedinci mogu imati važnu ulogu u postizanju cilja da oprema WEEE ne postane ekološki problem. Potrebno je pridržavati se nekoliko osnovnih pravila:

Oprema WEEE ne smije se zbrinjavati kao kućanski otpad.

Oprema WEEE treba se zbrinuti na pripadajućim mjestima za prikupljanje otpada kojima upravljaju općina ili registrirana poduzeća. Kada je riječ o većoj opremi WEEE, prikupljanje na kućnom pragu obavlja se u brojnim državama.

U brojnim se državama prilikom kupnje novog uređaja stari uređaj može vratiti prodavaču koji će ga preuzeti besplatno, samo ako je oprema iste vrste ili ima iste funkcije kako i kupljena oprema.

NÁVOD K INSTALACI A POUŽITÍ

OBSAH

ÚVOD	155
BEZPEČNOSTNÍ OPATŘENÍ.....	155
ELEKTRICKÁ INSTALACE.....	157
INSTALACE (MONTÁŽ NA ZEĎ)	159
INSTALACE ODSAVAČE	160
SEZNAM STANDARDNÍHO INSTALAČNÍHO PŘÍSLUŠENSTVÍ.....	165
INSTALACE (DEFLEKTOR VZDUCHU PRO TVAR T, ZAKŘIVENÉ SKLO, MODELY S PLOCHÝM SKLEM)	166
INSTALACE (ODVĚTRÁVÁNÍ DOVNITŘ)	168
KONFIGURACE.....	169
ÚDRŽBA	170
ŘEŠENÍ PROBLÉMŮ	171
ZÁKAZNICKÁ ASISTENČNÍ SLUŽBA.....	172

ÚVOD

Děkujeme vám, že jste si vybrali tento odsavač nad sporák.

Návod k obsluze je sestaven tak, aby obsahoval všechny potřebné pokyny týkající se instalace, použití a údržby spotřebiče. Přečtěte si tento návod pečlivě ještě před instalací a použitím, abyste spotřebič používali správně a bezpečně.

Odsavač par je vyrobený z vysoce kvalitních materiálů a má aerodynamický design. Odsavač par je vybavený silným elektromotorem a odstředivým ventilátorem. Vyznačuje se velkým sacím výkonem, nízkou provozní hlučností, nepřilnavým tukovým filtrem a jednoduchou montáží.

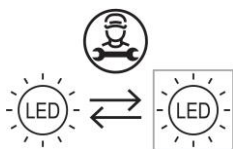
BEZPEČNOSTNÍ OPATŘENÍ

- Nikdy nedovolte dětem, aby obsluhovaly tento odsavač.
- Odsavač par je určen pouze pro domácí použití, není vhodný pro grilování, pečení ani jiná komerční využití.
- Odsavač par včetně filtru je třeba pravidelně čistit a udržovat ho tím v iádném provozním stavu.
- Čistěte odsavač par podle návodu k obsluze, a předcházejte tak nebezpečí vznícení odsavače.
- Nedovolte přímé pečení na plynovém sporáku. Zajistěte v kuchyni vyhovující proudění vzduchu.
- Před připojením tohoto spotřebiče zkontrolujte, zda není poškozen napájecí kabel. Poškozený napájecí kabel smí vyměňovat pouze kvalifikovaný servisní personál.
- Pokud se odsavač používá společně s jinými spotřebiči spalujícími plyn nebo jiná paliva, musí být v místnosti zajištěno dostatečné větrání.
- Vzduch se nesmí odvádět do kouřovodu, který se používá k odtahu spalin ze spotřebičů spalujících plyn nebo jiná paliva.
- Musejí být dodrženy předpisy týkající se vypouštění vzduchu.
- Děti musí být pod dohledem, aby se zajistilo, že si se spotřebičem nebudou hrát.
- Pod odsavačem nepřipravujte flambovaná jídla.
- Odsavač není určen k instalaci nad varnou desku s více než čtyřmi plotýnkovými prvky.

- Pokud se odsavač používá společně s jinými spotřebiči spalujícími plyn nebo jiná paliva, musí být v místnosti zajištěno dostatečné větrání (nevztahuje se na spotřebiče, které pouze vypouštějí vzduch zpět do místnosti).
- Podrobnosti o způsobu a frekvenci čištění.
- Pokud čištění není prováděno v souladu s pokyny, hrozí nebezpečí vzniku požáru.
- Pod odsavačem nepřipravujte flambovaná jídla.
- **UPOZORNĚNÍ:** Přístupné části se při použití s varnými spotřebiči mohou zahřát.

Nebezpečí úrazu elektrickým proudem

- Tento odsavač zapojte pouze do řádně uzemněné zásuvky. V případě pochybností požádejte o radu kvalifikovaného technika.
- Nedodržení těchto pokynů můžete způsobit úmrtí, požár nebo úraz elektrickým proudem.



Lampa použitá v tomto produktu není vhodná k použití při osvětlení místnosti. Účelem této žárovky je poskytnout osvětlení pro používání výrobku.

Veškerá instalace musí být provedena odborně způsobilou osobou nebo kvalifikovaným elektrikářem. Před připojením síťového napájení se ujistěte, že síťové napětí odpovídá napětí na typovém štítku.

Přímé připojení

Spotřebič musí být připojen přímo k síti pomocí vícepólového jističe s minimální mezerou 3 mm mezi kontakty.

Instalační technik musí zajistit provedení správného elektrického připojení v souladu se schématem zapojení.

Kabel nesmí být nikde ohnutý ani stlačený.

Pravidelně kontrolujte zástrčku a napájecí kabel, zda nejsou poškozené. Pokud je napájecí kabel poškozen, musí být nahrazen speciálním kabelem nebo sestavou, která je k dispozici u výrobce nebo jeho servisního zástupce.

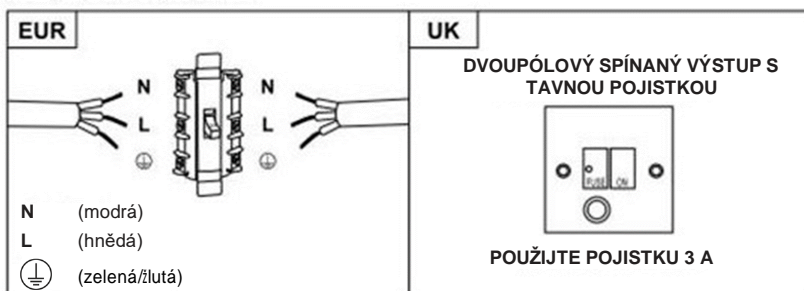
VAROVÁNÍ: Jedná se o spotřebič třídy I a MUSÍ být uzemněn

Tento spotřebič je dodáván se 3žilovým síťovým kabelem s následujícími barvami:

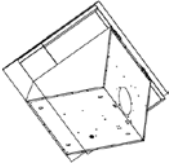
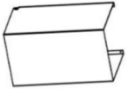





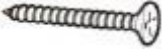



hnědá = L nebo živý, modrá

= N nebo neutrální,

zelená a žlutá = E nebo uzemňovací (⊥).

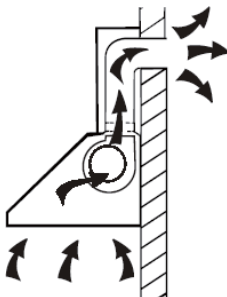


Pojistka musí být dimenzována na 3 A.

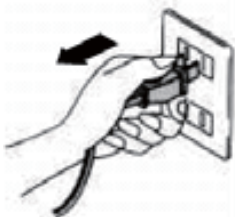
Spec.	Ilustrační obrázek	Množ.
Tělo odsavače		1
Spodní komín (500 mm)		1
Horní komín (500 mm)		1
Držák horního komínu		1
Držák spodního komínu		1
Držák odsavače par		1
Ø8 hmoždinky Ø8×Ø6 bílá barva		9
Šroub (ST4 * 30 mm)		9
Šroub (ST4 * 8 mm)		6
Vývod vzduchu		1
Uhlíkový filtr		2

INSTALACE (montáž na zed')

Pokud máte vývod ven, můžete odsavač par připojit podle níže uvedeného obrázku pomocí odtahového potrubí (smaltové, hliníkové, nehořlavé ohebné potrubí s vnitřním průměrem 150 mm).



1. Před instalací odsavač vypněte a odpojte ho ze zásuvky.



2. Odsavač par funguje nejlépe, pokud je umístěn ve vzdálenosti 65–75 cm nad varnou plochou.

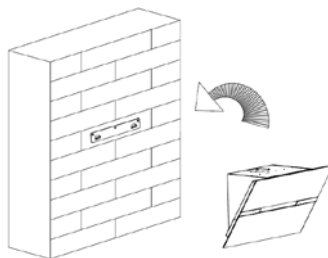


Umístěte odsavač do požadované výšky s ohledem na minimální výšku nad varnou deskou.

Označte umístění nástěnné konzoly. (Umístěte otvory 700 až 800 mm nad pracovní deskou). Sejměte odsavač a umístěte nástěnnou konzolu tak, aby odpovídala umístění otvorů na zdi.

Vyvrtejte 3 otvory do zdi pro vložení příslušného upevňovacího systému (šroub ST4 x 30 mm).

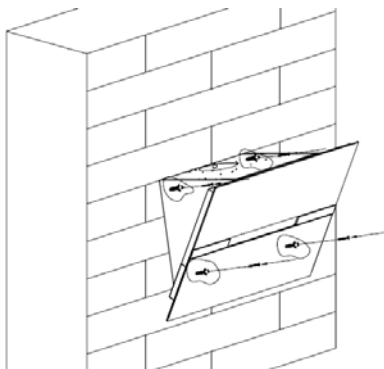
Zavěste odsavač do drážek nástěnné konzoly.



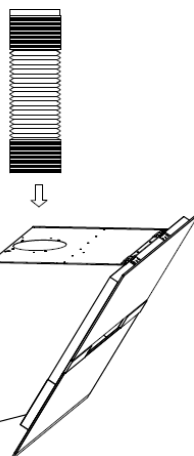
Jakmile je odsavač na místě, vyhledejte umístění 4 dalších šroubů pro montážna zed', jak je znázorněno na následujícím schématu.

Sejměte odsavač, abyste mohli udělat otvory do zdi, a namontujte hmoždinky.

Tělo odsavače zajistěte 4 šrouby o průměru 4 mm pomocí hmoždinekvhodných pro vaši zed'.

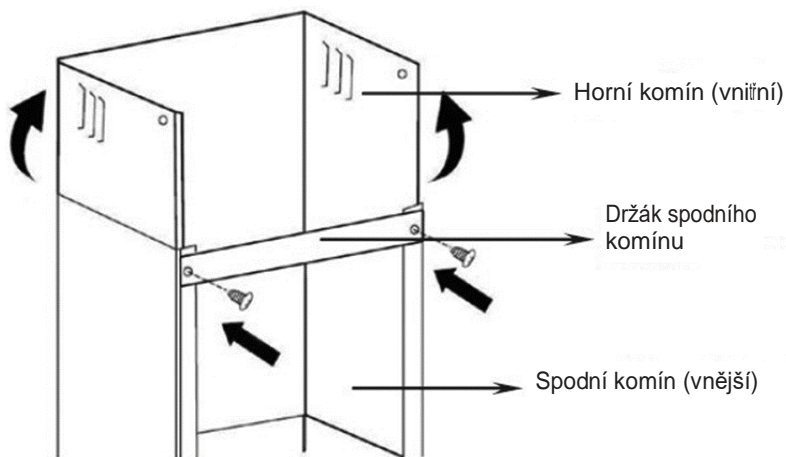


Je-li vybrán režim odsávání, umístěte potrubí odtahu vzduchu na vývod vzduchu, jak je znázorněno na obrázku.

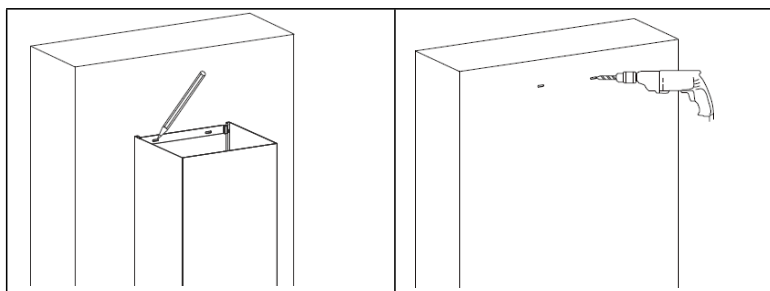


Připevněte podpěru spodního komínu ke spodnímu komínu, jak je znázorněno na obrázku. Použijte 2 šrouby ST4 x 8 mm.
(Šrouby příliš neutahujte, ujistěte se, že horní komín lze snadno zasunout do spodního komínu)

Vložte horní komín do spodního komínu.



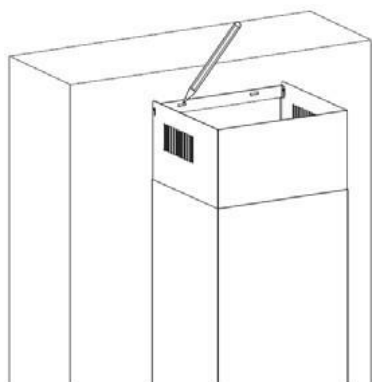
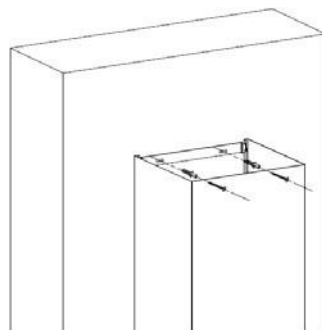
Umístěte spodní komín do spotřebiče, poté označte otvory na zdi.



Demontujte spodní komín, poté vyvrtejte otvory do zdi: otvor pro průměr šroubu $\text{\O} 8 \text{ mm}$.

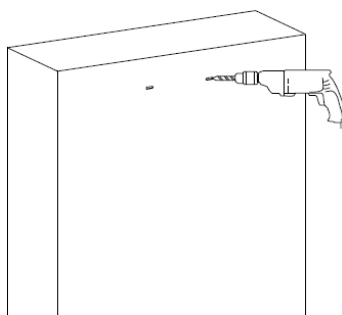
Použijte hmoždinky vhodné pro vaši zeď.

Nasadte spodní komín, poté ho přišroubujte ke zdi pomocí 2 šroubů o průměru \varnothing 8 mm.

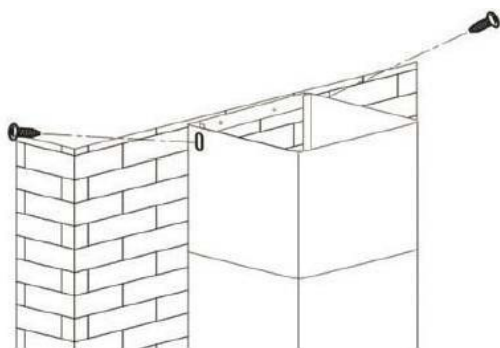
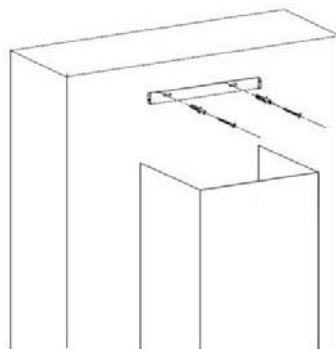


Poté vytáhněte horní komín nahoru do požadované výšky. Označte umístění montážních otvorů podpěry horního komínu.

Spusťte horní komín a poté vyvrtejte otvory do zdi.
Vložte hmoždinky vhodné pro vaši zeď.

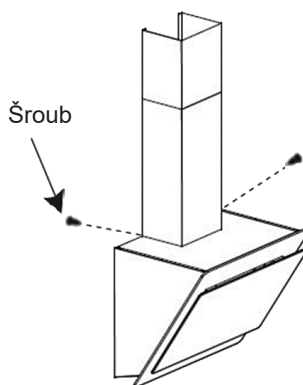







Upevněte nástěnnou konzolu horního komínu ke zdi pomocí zvolených hmoždinek (doporučujeme šrouby 8 mm).



Znovu sestavte horní komín a připevněte ho k nástěnné konzole pomocí 2 šroubů ST4 x 8 mm.

Upevněte spodní komín k výstupkům kuchyňského odsavače pomocí 2 šroubů ST4 x 8 mm.

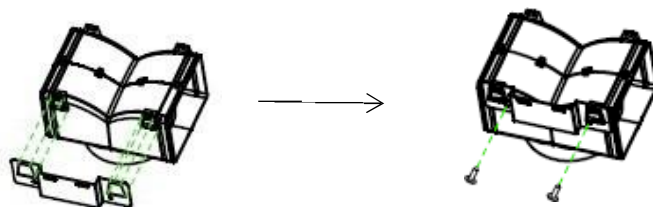


Spec.	Ilustrační obrázek	Množ.
Deflektor vzduchu		1
Držák		1
<p>Ø 8 hmoždinky Ø 8xØ 6 bílá barva</p>		2
Šrouby ST4,0 x 30		2
Šrouby ST3,5 x 12		2

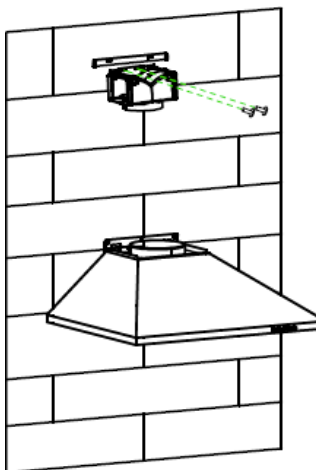
SKLO. MODELY S PLOCHÝM SKLEM)

Deflektor vzduchu je uveden jako součást dodávky, nikoli volitelný.

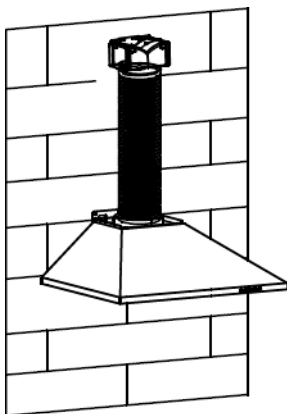
1. Připevněte konzolu k plastovému vývodu ve tvaru T pomocí 2 ks dodaných šroubů ST3,5 x 12 mm, jak je znázorněno níže:



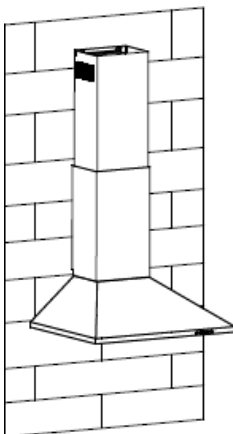
2. Vyrvejte do zdi 2 otvory pro umístění hmoždinek, poté přišroubujte a utáhněte konzolu na zeď pomocí 2 ks dodaných šroubů ST4 x 30 mm.



3. Připojte odtahové potrubí k vývodu vzduchu z odsavače par, jak je znázorněno níže:

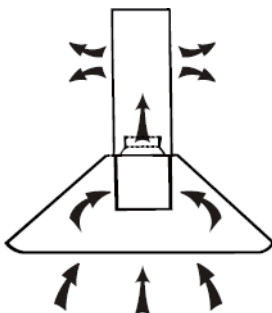


4. Namontujte komín na jednotku a upevněte ho.

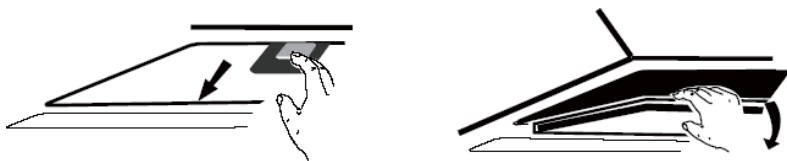


- o “Vezměte prosím na vědomí: Plastový vývod ve tvaru T a klapky ve tvaru V nelze používat současně. Můžete je používat dvěma způsoby: 1) Přidejte klapku ve tvaru V na stávající vývod; 2) Použijte plastový vývod ve tvaru T, nepřidávejte klapku ve tvaru V.
- o “Poznámka: S výrobkem je jako příslušenství dodávána klapka ve tvaru V. Toto příslušenství není pro instalaci, provoz a používání výrobku povinné.

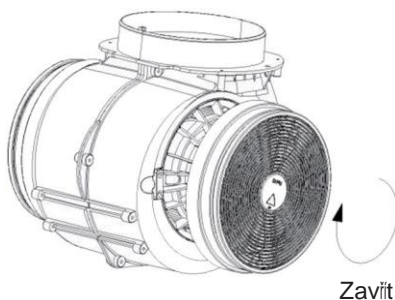
Pokud nemáte větrací otvor směrem ven, odtahové potrubí není nutné a instalace bude podobná jako na obrázku v části „INSTALACE (ODVĚTRÁVÁNÍ VEN)“.



K zachycení pachů lze použít filtr s aktivním uhlím. Při instalaci filtru s aktivním uhlím je třeba nejprve odmontovat tukový filtr. Stiskněte pojistku a stáhněte ho směrem dolů.



Vložte filtr s aktivním uhlím do odsavače a otočte jím ve směru hodinovýchručiček. Stejný postup opakujte na druhé straně.



POZNÁMKA:

- o Ujistěte se, že je filtr pevně zajištěný. V opačném případě by se mohl uvolnit a představovat nebezpečí.
- o Když je osazen filtr s aktivním uhlím, sací výkon se sníží.

1

2

3

B



POHOTOVOSTNÍ REŽIM

Po zapojení vše svítí, systém je v **POHOTOVOSTNÍM REŽIMU**.

1

Tlačítko nízké rychlosti

Používá se na odvětrávání do kuchyně. Je vhodný pro dušení pokrmů a vaření, při kterém nevzniká velké množství páry.

2

Tlačítko střední rychlosti

Rychlost proudění vzduchu je ideální pro odvětrávání při standardním vaření.

3

Tlačítko vysoké rychlosti

Při vysoké hustotě kouře nebo páry stiskněte tlačítko vysoké rychlosti, které zajistí vysokou účinnost odvětrávání.

B

Funkce posilovače

Tento odsavač je vybavený funkcí zvýšení otáček na maximum. Chcete-li aktivovat posilovač, stiskněte **B** na rychlost 4, zadejte nejvyšší rychlost, když je odsavač v provozu, a rychlost se zvýší na dobu 5 minut, než se opět zpomalí.



Osvětlení

Krátké stisknutí pro zapnutí a vypnutí osvětlení

Rychlý časovač: Dlouhé stisknutí tlačítka osvětlení po dobu 3 sekund, tlačítka otáček ventilátoru budou blikat a probíhá odpočet 5 minut, po 5 minutách se motor a osvětlení automaticky vypnou a bzučák třikrát zazní.

ÚDRŽBA

Před čištěním vypněte odsavač a vytáhněte zástrčku.

I. Pravidelné čištění

Používejte měkký hadřík navlhčený vlažnou vodou s jemným saponátem nebo čisticím prostředkem pro domácnosti. Nikdy nepoužívejte k čištění spotřebiče kovové drátěnky, chemický či abrazivní prostředek nebo tuhý kartáček.

II. Měsíční čištění tukového filtru

ZÁSADNÍ: Vyčištění filtru jednou za měsíc může zabránit nebezpečí požáru.

Filtr zachycuje tuk, kouř a prach... takže filtr přímo ovlivňuje účinnost odsavače par. Pokud ho nevyčistíte, budou zbytky tuku (potenciálně hořlavé) filtr zanášet. Vyčistěte ho čisticím prostředkem pro domácnosti.

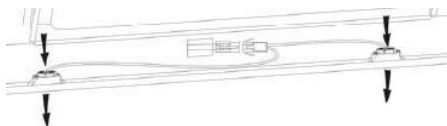
III. Roční čištění filtru s aktivním uhlím

Platí POUZE pro jednotku, která je instalovaná jako recirkulační jednotka (bez odvětrávání ven). Tento filtr zachycuje pachy a musí být vyměňován alespoň jednou ročně

v závislosti na tom, jak často se odsavač par používá.

IV. Výměna žárovky

Vyšroubujte šrouby a sejměte krycí sklo. Najděte žárovku, kterou je třeba vyměnit. Najdete ji v osvětlovacím tělese uvnitř odkryté části krytu odsavače.



Odpojte svorkovnici osvětlení a vytáhněte objímky žárovek včetně vodičů z odsavače. Důležité: Žárovky nelze měnit jednotlivě, bude nutné opatřit si žárovky, objímky žárovek a vodiče jako jeden celek. (LED žárovka: MAX 1,5 W)

Namontujte náhradní žárovky, objímky žárovek a vodiče na místa původních dílů. Poté znovu zapojte svorkovnici osvětlení.

Znovu nasadte sklo odsavače a upevněte skleněné šrouby. Ujistěte se, že šrouby jsou zcela utaženy.

Porucha	Příčina	Řešení
Osvětlení zapnuté, ale ventilátor nefunguje.	Lopatka ventilátoru je vzpříčená.	Vypněte jednotku a nechte ji opravit výhradně kvalifikovaným servisním personálem.
	Motor je poškozený.	
Osvětlení ani ventilátor nefungují.	Halogenová žárovka je spálená.	Vyměňte žárovku za stejný typ.
	Volný napájecí kabel.	Zastrčte ho znovu do síťové zásuvky.
Závažné vibrace odsavače.	Lopatka ventilátoru je poškozená.	Vypněte jednotku a nechte ji opravit výhradně kvalifikovaným servisním personálem.
	Motor ventilátoru není řádně upevněný.	Vypněte jednotku a nechte ji opravit výhradně kvalifikovaným servisním personálem.
	Odsavač není správně zavěšený na konzole.	Sundejte odsavač a zkontrolujte správné umístění konzoly.
Sací výkon je nízký.	Příliš velká vzdálenost mezi odsavačem a varnou plochou.	Nastavte vzdálenost na 65–75 cm.

Pokud nemůžete zjistit příčinu provozní anomálie, vypněte spotřebič a obraťte se na asistenční službu.

SÉRIOVÉ ČÍSLO PRODUKTU. Kde ho najdu?

Je důležité, abyste asistenční službě podali informaci o kódu vašeho výrobku a jeho sériovém čísle (16místném kódu, který začíná číslem 3); ten naleznete na záručním listu nebo na štítku s údaji umístěném na spotřebiči.

Pomůže to vyhnout se zbytečným cestám techniků, čímž (což je nejdůležitější) ušetříte za související poplatky za přivolání.



Tento spotřebič je označen v souladu s evropskou směrnicí 2012/19/EU o odpadních elektrických a elektronických zařízeních(OEEZ).

OEEZ obsahuje jak znečišťující látky (které mohou mít negativní dopady na životní prostředí), tak základní složky (které lze znovu použít). Je nutné provést speciální zpracování OEEZ, aby se odstranily a správně zlikvidovaly všechny znečišťující látky a obnovily a zrecyklovaly všechny materiály.

Jednotlivci mohou hrát důležitou roli při zajišťování toho, aby se spotřebič podléhající OEEZ nestal zátěží pro životní prostředí. Je nezbytné dodržovat několik základních pravidel:

Spotřebič podléhající OEEZ se nesmí likvidovat jako domovní odpad;

Spotřebič podléhající OEEZ se musí předat na příslušné sběrné místo pod správou obce nebo autorizovaných společností. V mnoha zemích může být v případě velkých spotřebičů podléhajících OEEZ k dispozici domovní sběr.

V mnoha zemích, když si zakoupíte nový spotřebič, můžete starý spotřebič vrátit prodejci, který ho musí přijmout zdarma na základě výměny kus za kus, pokud je zařízení stejného typu a má stejné funkce jako dodané zařízení.

NÁVOD NA INŠTALÁCIU A POUŽITIE

OBSAH

ÚVOD	174
BEZPEČNOSTNÉ OPATRENIA.....	174
ELEKTRICKÁ INŠTALÁCIA	176
INŠTALÁCIA (MONTÁŽ NA STENU)	178
INŠTALÁCIA DIGESTORA	179
ZOZNAM ŠTANDARDNÉHO INŠTALAČNÉHO PRÍSLUŠENSTVA	184
INŠTALÁCIA(VZDUCHOVÝ DEFLEKTOR PRE MODELY TVARU T, ZAKRIVENÉ SKLO, PLOCHÉ SKLO)	185
INŠTALÁCIA (VNÚTORNÉ VETRANIE)	187
KONFIGURACIA.....	188
ÚDRŽBA	189
RIEŠENIE PROBLÉMOV	190
ASISTENČNÁ SLUŽBA PRE ZÁKAZNÍKOV.....	191

ÚVOD

Ďakujeme, že ste si vybrali tento digestor.

Tento návod vám má poskytnúť všetky potrebné pokyny ohľadne inštalácie, používania a údržby prístroja. Pre správu a bezpečnú prevádzku zariadenia si starostlivo prečítajte tento návod ešte pred inštaláciou a používaním.

Digestor je vyrobený z vysokokvalitných materiálov a má moderný dizajn. Je vybavený vysokovýkonným elektromotorom a odstredivým ventilátorom a poskytuje tiež silný sací výkon, prevádzku s nízkou hlučnosťou, nelepivý tukový filter a jednoduchú montáž.

BEZPEČNOSTNÉ OPATRENIA

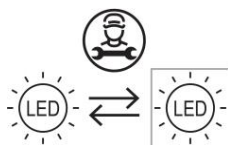
- Nikdy nedovoľte, aby zariadenie obsluhovali deti.
- Digestor je určený len na domáce použitie, nie je vhodný na grilovanie, opekanie či iné komerčné účely.
- Digestor aj príslušný filter sa musí pravidelne čistiť, aby boli v dobrom funkčnom stave.
- Vyčistíte digestor podľa návodu na použitie a dávajte pozor, aby zariadenie nebolo vystavené nebezpečenstvu ohňa.
- Priame pečenie pomocou plynového variča je zakázané. V kuchyni udržiajte dobré prúdenie vzduchu.
- Pred pripojením tohto zariadenia skontrolujte, či nie je poškodený napájací kábel. Poškodený napájací kábel môže vymeniť iba kvalifikovaný servisný pracovník.
- Počas používania digestora súčasne so zariadeniami, ktoré spaľujú plyn alebo iné palivá, treba mať dostatočné vetranie miestnosti.
- Vzduch sa nesmie odvádzať do komína, ktorý sa používa na odvádzanie výparov zo zariadení, ktoré spaľujú plyn alebo iné palivá.
- Musíte dodržiavať predpisy o odvádzaní vzduchu.
- Deti by mali byť pod dozorom, aby sa zaistilo, že sa nebudú hrať so zariadením.
- Pod digestorom neflambujte.
- Digestor nie je určený na inštaláciu nad varnú dosku s viac

ako štyrmi varnými prvkami

- Počas používania digestora súčasne so zariadeniami, ktoré spaľujú plyn alebo iné palivá (neplatí pre spotrebiče, ktoré vzduch iba filtrujú a privádzajú ho späť do miestnosti), je potrebné mať dostatočné vetranie miestnosti;
- podrobnosti týkajúce sa metód a intervalov čistenia.
- ak sa čistenie nevykonáva v súlade s pokynmi, existuje riziko požiaru;
- pod digestorom neflambujte;
- **UPOZORNENIE:** Prístupné časti sa môžu zahriať pri používaní s varnými spotrebičmi.

Nebezpečenstvo úrazu elektrickým prúdom

- Toto zariadenie zapojte iba do správne uzemnenej zásuvky. Ak máte pochybnosti, požiadajte o radu kvalifikovaného technika.
- Nedodržanie týchto pokynov môže spôsobiť smrť, požiar alebo zásah elektrickým prúdom.



Lampa použitá v tomto výrobku nie je vhodná na osvetlenie miestnosti.

Účelom tejto žiarovky je poskytnúť osvetlenie na používanie výrobku.

Všetky inštalačné práce musí vykonať kompetentná osoba alebo spôsobilý elektrikár. Pred pripojením sieťového napájania sa uistite, že sieťové napätie zodpovedá napätiu na typovom štítku.

Priame pripojenie

Spotrebič musí byť pripojený priamo k sieti pomocou viacpólového ističa s minimálnou medzerou 3 mm medzi kontaktmi.

Inštalačný technik musí zabezpečiť vykonanie správneho elektrického pripojenia v súlade so schémou zapojenia.

Kábel sa nesmie ohýbať ani stláčať.

Pravidelne kontrolujte zástrčku a napájací kábel, či nie sú poškodené. Ak je napájací kábel poškodený, musí sa vymeniť za špeciálny kábel alebo sústavu od výrobcu alebo jeho servisného zástupcu.

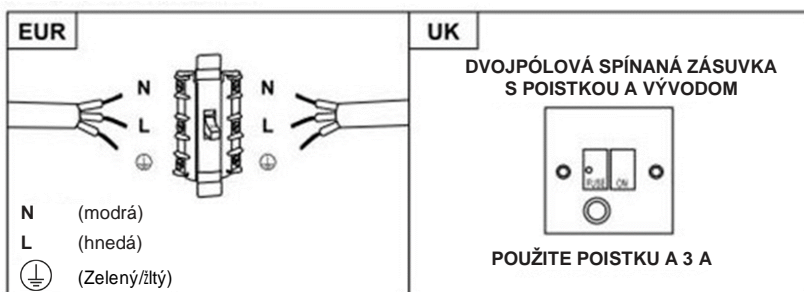
VAROVANIE: Toto je zariadenie triedy I a MUSÍ byť uzemnené

Tento spotrebič je dodávaný so 3-žilovým sieťovým káblom s nasledujúcimi farbami:

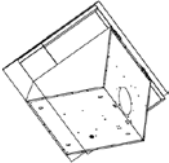










hnedý = L alebo živý,

modrý = N alebo neutrálny,

zelený a žltý = E alebo uzemňovací (⊥)

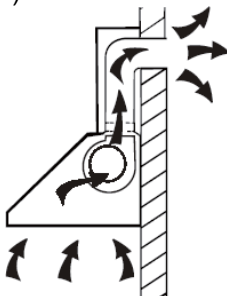


Poistka musí mať menovitý výkon 3 A.

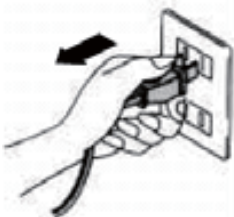
Špecifikácia	Ilustračný obrázok	Množstvo
Telo digestora		1
Spodný komín (500 mm)		1
Vrchný komín (500 mm)		1
Držiak vrchného komína		1
Držiak spodného komína		1
Konzola digestora		1
Ø8 hmoždinky Ø8xØ6 biela farba		9
Skrutka (ST4 * 30 mm)		9
Skrutka (ST4 * 8 mm)		6
Vývod vzduchu		1
Uhlíkový filter		2

INŠTALÁCIA (montáž na stenu)

Ak máte výstup na vonkajšiu stranu, digestor môžete pripojiť ako na obrázku nižšie pomocou extrakčného potrubia (smalt, hliník, ohybná rúra nehorľavá s vnútorným priemerom 150 mm).



1. Prístroj pred inštaláciou vypnite a odpojte od siete.



2. Digestor treba na dosiahnutie najlepšieho účinku umiestniť 65~75cm nad varnú dosku.



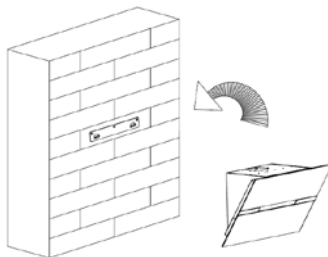
Umiestnite digester do požadovanej výšky s ohľadom na minimálnu výšku nad varnou doskou.

Označte umiestnenie nástennej konzoly. (Umiestnite otvory 700 až 800 mm nad pracovnú dosku)

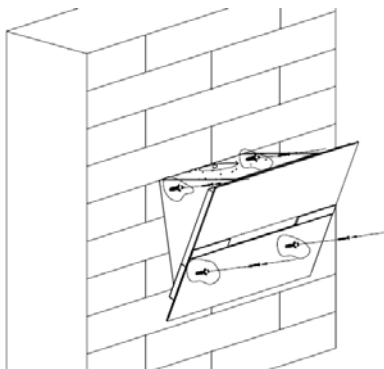
Odstráňte kryt a umiestnite nástennú konzolu tak, aby označovala umiestnenie otvorov na stene.

Vyvítajte 3 otvory v stene a vložte príslušný upevňovací systém (skrutka ST4x30 mm).

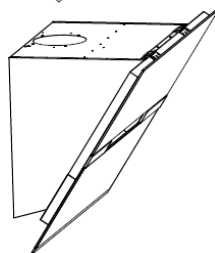
Zaveste kapučnu do zárezov nástennej konzoly.



Keď je digestor na svojom mieste, nájdite umiestnenie 4 ďalších skrutiek na upevnenie na stenu, ako je znázornené na nasledujúcom diagrame. Odstráňte kryt za účelom prepichnutia steny a nainštalujte do steny hmoždinky. Telo kapoty zaistíte 4 skrutkami s priemerom 4 mm pomocou hmoždiniek prispôbených vašej stene.

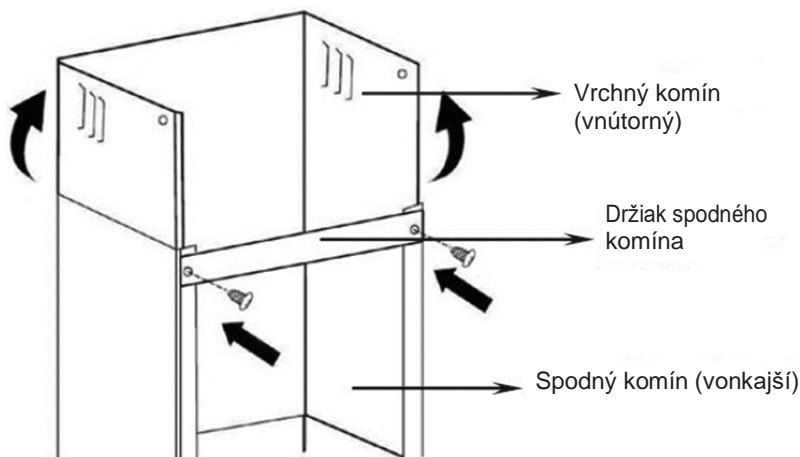


Ak je zvolený režim odsávania, umiestnite kanálodsávania vzduchu na výstup vzduchu, ako je znázornené na obrázku.

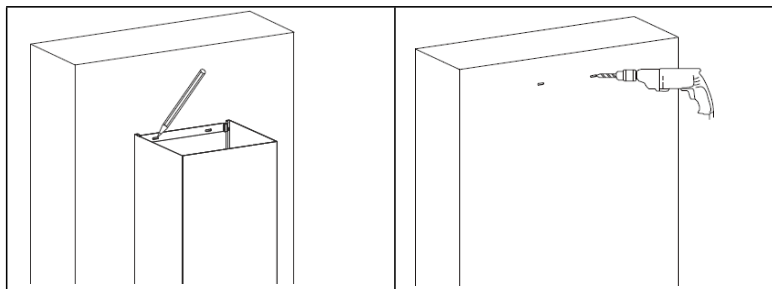


Pripojte oporu spodného komína k spodnému komínu, ako je znázornené na obrázku. Použite 2 skrutky ST4x8 mm.
(Neuťahujte skrutky nadmerne, uistite sa, že vrchný komín sa dá ľahko zasunúť do spodného komína)

Vložte vrchný komín do spodného komína.



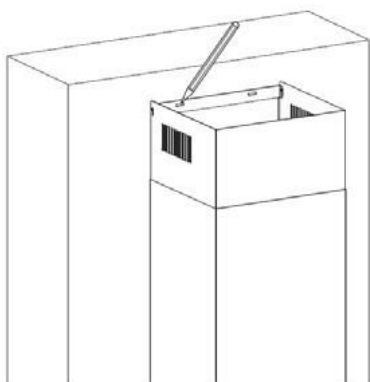
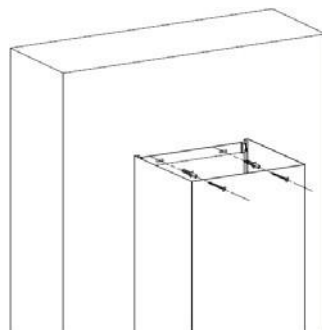
Umiestnite spodný komín do spotrebiča a potom označte otvory na stene.



Odstráňte spodný komín, potom vyvítajte otvory v stene: otvor pre skrutku s priemerom \varnothing 8 mm

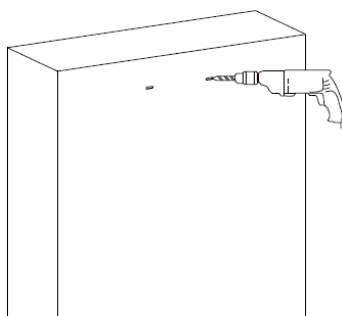
Použite hmoždinky prispôbené vašej stene

Nasadte spodný komín a potom ho priskrutkujte na stenu pomocou 2 skrutiek s priemerom \varnothing 8 mm

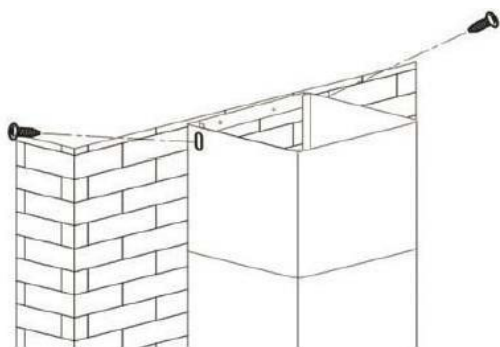
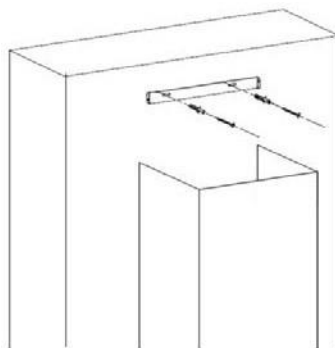


Potom vytiahnite vrchný komín nahor do požadovanej výšky. Označte umiestnenie montážnych otvorov opory vrchného komína.

Spustite vrchný komín a potom vyvítajte otvory v stene. Vložte hmoždinky prispôbené vašej stene.

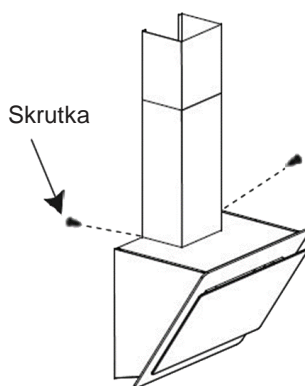







Upevnite nástennú konzolu vrchného komína k stene pomocou vybraných hmoždiniek (odporúčame 8 mm skrutky).



Namontujte vrchný komín a upevnite ho na nástennú konzolu pomocou 2 skrutiek ST4x8 mm

Upevnite spodný komín k uchám kuchynského digestora pomocou 2 skrutiek ST4x8 mm.

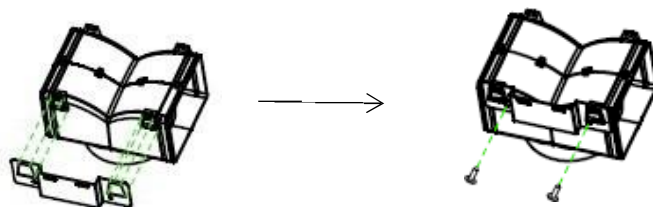


Špecifikácia	Ilustračný obrázok	Množstvo
Deflektor vzduchu		1
Konzola		1
<p>Ø 8 hmoždinky Ø 8xØ 6 biela farba</p>		2
Skrutky ST4,0x30		2
Skrutky ST3,5x12 mm		2

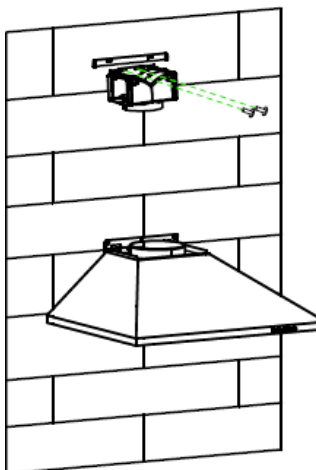
ZAKRIVENÉ SKLO. PLOCHÉ SKLO)

Deflektor vzduchu je uvedený ako súčasť balenia a nie je dobrovoľný.

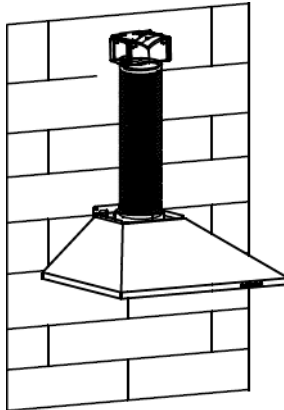
1. Upevnite konzolu k plastovému výstupu v tvare T pomocou 2 skrutiek ST3,5x12 mm, ako je uvedené nižšie:



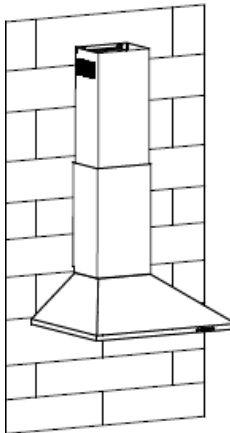
2. Vyvítajte na stene 2 otvory na upevnenie zástriek do steny, potom priskrutkujte a utiahnite konzolu na stenu pomocou dodaných 2 ks skrutiek ST4x30 mm.



3. Pripojte výfukové potrubie na výstup vzduchu z digestora, ako je znázornené nižšie:



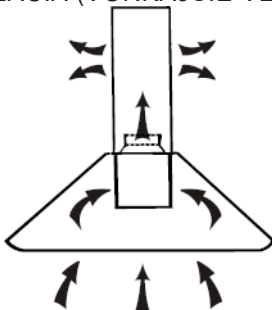
4. Nainštalujte komín na jednotku a upevnite ho.



- o “Upozorňujeme, že: Plastový výstup v tvare písmena T a v-klapky sa nemôžu používať súčasne. Môžete ich použiť dvoma spôsobmi: 1) Pridajte v-klapku na existujúci výstup; 2) Použite plastový výstup v tvare T, bez pridania v-klapky.”
- o „Berte na vedomie: Výrobok je dodávaný s príslušenstvom pre v-klapky. Toto príslušenstvo nie je povinné na inštaláciu, prevádzku a používanie výrobku.”

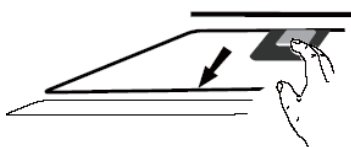
INŠTALÁCIA (VNÚTORNÉ VETRANIE)

Ak nemáte vývod vonku, odsávacie potrubie nie je potrebné a inštalácia je podobná ako v časti „INŠTALÁCIA (VONKAJŠIE VETRANIE)“.

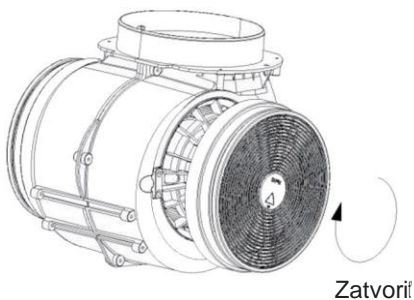


Filter s aktívnym uhlím sa dá používať na zachytávanie pachov.

Na inštaláciu filtra s aktívnym uhlím treba najprv odobrať tukový filter. Zatlačte zámok a potiahnite ho nadol.



Filter s aktívnym uhlím vložte do jednotky a upevnite ho otočením v smere hodinových ručičiek. Ten istý postup zopakujte na opačnej strane.



POZNÁMKA:

- o *Presvedčte sa, že je filter bezpečne zaistený. Ináč by sa mohol uvoľniť a spôsobiť poškodenie.*
- o *Po pripojení filtra s aktívnym uhlím sa zníži sací výkon.*

KONFIGURÁCIA

1

2

3

B



POHOTOVOST REŽIM.

Po zapojení, všetko osvetlenie, systém v **POHOTOVOSTNOM REŽIME**.

1

Tlačidlo pomalých otáčok

Používa sa na vetranie kuchyne. Je vhodný na dusenie a varenie, ktoré nevytvára veľa pary.

2

Tlačidlo stredných otáčok

Rýchlosť prúdenia vzduchu je ideálna pre vetranie pri štandardnom varení.

3

Tlačidlo vysokých otáčok

Ak vzniká vysoká hustota dymu alebo pary, stlačte tlačidlo vysokej rýchlosti pre vysokoúčinné vetranie.

B

Funkcia zvýšenia výkonu

Tento digester má funkciu zvýšenia výkonu. Ak chcete aktivovať booster, stlačte **B** na rýchlosť 4 a prejdite na najvyššiu rýchlosť počas používania digestora a na 5 minút sa zvýši rýchlosť, potom sa znova zníži.



Svetlo

Krátke stlačenie pre zapnutie a vypnutie osvetlenia

Rýchly časovač: Dlhé stlačenie tlačidla svetla na 3 sekundy, tlačidlá rýchlosti ventilátora budú blikať a začne odpočítavanie 5 minút, po 5 minútach sa motor a svetlo vypnú automaticky s tromi zvukmi bzučania.

Jednotku pred čistením vypnite a vytiahnite zástrčku.

I. Bežné čistenie

Použite jemnú handričku navlhčenú s vlažnou jemne mydlovou vodou alebo domácim čistiacim prostriedkom. Na čistenie jednotky nikdy nepoužívajte kovové podložky, abrazívny materiál ani pevné kefy.

II. Mesačné čistenie tukového filtra

DÔLEŽITÉ: Čistenie filtra raz za mesiac môže zabrániť riziku požiaru.

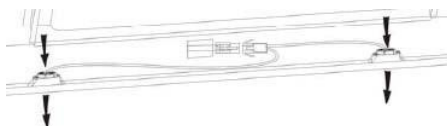
Filter zachytáva tuk, dym a prach... takže filter priamo ovplyvňuje účinnosť digestora. Ak ho nevyčistíte, nazbierajú sa na ňom mastné zvyšky (potenciálne horľavé). Vyčistite ho s domácim čistiacim prostriedkom.

III. Ročné čistenie filtra s aktívnym uhlím

Používajte IBA na jednotku, ktorá je nainštalovaná ako obehová (nevyvedená von). Tento filter zachytáva pachy a musíte ho vymieňať aspoň raz ročne podľa toho ako často sa digestor používa.

IV. Výmena žiarovky

Odskrutkujte skrutky na skle a vyberte sklo digestora. Nájdite žiarovku, ktorá sa musí vymeniť, nájdete ju umiestnenú v objímke, ktorá sa nachádza vo vnútri odkrytej časti ochranného krytu.



Odpojte bod vedenia svetla a vyberte držiaky žiaroviek a káble z digestora.

Dôležité: Žiarovky nie je možné vymeniť jednotlivo, musíte použiť žiarovky, držiaky žiaroviek a vodiče ako kompletnú zostavu. (LED svetlo: MAX. 1,5 W)

Namontujte náhradné žiarovky, držiaky žiaroviek a vedenie rovnakým spôsobom ako pôvodné. Potom znova pripojte bod vedenia žiarovky.

Namontujte sklo digestora a upevnite skrutky skla. Uistite sa, že sú skrutky úplne utiahnuté.

Porucha	Príčina	Riešenie
Svetlo svieti, ale nefunguje ventilátor	List ventilátora sa zasekol.	Vypnite zariadenie a nechajte ho opraviť kvalifikovanému servisnému personálu.
	Motor je poškodený.	
Nefunguje ani svetlo ani ventilátor	Vypálená halogénová žiarovka.	Vymeňte za žiarovku so správnym výkonom.
	Napájací kábel je uvoľnený.	Znova zapojte napájací zdroj.
Výrazné vibrácie zariadenia	List ventilátora je poškodený.	Vypnite zariadenie a nechajte ho opraviť kvalifikovanému servisnému personálu.
	Motor ventilátora nie je pevne upevnený.	Vypnite zariadenie a nechajte ho opraviť kvalifikovanému servisnému personálu.
	Zariadenie nie je správne zavesené na držiaku.	Zložte zariadenie a skontrolujte, či je držiak správne umiestnený.
Sací výkon nie je dobrý	Príliš veľká vzdialenosť medzi jednotkou a plochou na varenie	Znovu upravte vzdialenosť na 65 – 75 cm

Ak nedokázate identifikovať príčinu nesprávnej prevádzky, vypnite zariadenie a obráťte sa na asistenčnú službu.

SÉRIOVÉ ČÍSLO VÝROBKU. Kde ho môžem nájsť?

Je dôležité, aby ste pracovníkom asistenčnej služby oznámili kód produktu a jeho sériové číslo (16-miestny kód začínajúci číslom 3). Nachádza sa na záručnom liste alebo na štítku s údajmi na zariadení.

Pomôžete tým vyhnúť sa zbytočným výjazdom technikov, a tým (čo je najdôležitejšie) ušetriť príslušné poplatky za výjazdy.



Toto zariadenie je označené podľa európskej smernice 2012/19/EÚ o odpade z elektrických a elektronických zariadení (OEEZ).

OEEZ obsahuje aj znečisťujúce látky (ktoré môžu spôsobiť negatívne dôsledky na životné prostredie) aj základné zložky (ktoré sa môžu opätovne použiť). Je dôležité, aby sa s OEEZ manipulovalo ako so špeciálnym odpadom, aby sa odstránili a správne zlikvidovali všetky znečisťujúce látky a aby sa zhodnotili a recyklovali všetky materiály.

Jednotlivci môžu zohrávať dôležitú rolu pri zabezpečovaní toho, aby sa z OEEZ nestal problém životného prostredia; potrebné je dodržiavať niekoľko základných pravidiel:

S OEEZ sa nesmie manipulovať ako s domovým odpadom;

OEEZ je potrebné odovzdať v príslušných zberných strediskách spravovaných obcou alebo registrovanými spoločnosťami. V mnohých krajinách sa vykonáva vyzdvihnutie veľkého OEEZ v domácnostiach.

V mnohých krajinách môžete pri kúpe nového spotrebiča vrátiť starý predajcovi, ktorý je povinný vyzdvihnúť ho bezplatne systémom jedného starého zariadenia za jedno nové zariadenie ekvivalentného typu a s rovnakými funkciami ako má odovzdávané zariadenie.

NAVODILA ZA MONTAŽO IN UPORABO

VSEBINA

UVOD	193
VARNOSTNI UKREPI	193
ELEKTRIČNA NAPELJAVA	195
SPECIFIKACIJA	196
MONTAŽA (ODVOD ZRAKA IZ PROSTORA)	197
MONTAŽA (ODVOD ZRAKA V PROSTORU)	206
OPIS SESTAVNIH DELOV	207
DELOVANJE	207
VZDRŽEVANJE	208
ODPRAVLJANJE TEŽAV	209
SKLADNOST Z DIREKTIVAMI	209
VARSTVO OKOLJA	210

UVOD

Zahvaljujemo se vam, ker ste izbrali to kuhinjsko napo.

Namen teh navodil za uporabo je zagotoviti vsa potrebna navodila glede montaže, uporabe in vzdrževanja naprave.

Za pravilno in varno uporabo enote pred montažo in uporabo natančno preberite ta navodila za uporabo.

Kuhinjska napa je narejena iz visokokakovostnih materialov in ima poenostavljeno zasnovo. Opremljena je z velikim elektromotorjem in centrifugalnim ventilatorjem in zagotavlja močno sesanje, nizko raven hrupa, nelepljiv maščobni filter in enostavno montažo.

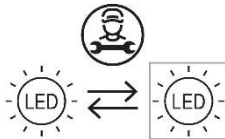
VARNOSTNI UKREPI

- Naprave nikoli ne dovolite upravljati otrokom.
- Kuhinjska napa je samo za domačo uporabo, ni primerna za žar, pečenje in druge komercialne namene.
- Kuhinjsko napo in njen filter je treba redno čistiti, da bosta v dobrem delovnem stanju.
- Kuhinjsko napo očistite v skladu z navodili za uporabo in jo zavarujte pred nevarnostjo požiga.
- Preprečite neposredno peko na plinskem štedilniku. Kuhinjski prostor naj ima dobro konvekcijo.
- Pred priključitvijo naprave preverite, ali je napajalni kabel poškodovan. Poškodovan napajalni kabel lahko zamenja samo usposobljeno servisno osebje.
- V prostoru mora biti zagotovljeno primerno zračenje, če kuhinjsko napo uporabljate hkrati s štedilnikom na plin ali na drugo gorivo.
- Zrak ne sme biti speljan v dimno cev, ki se uporablja za izpuh plinskih naprav ali naprav na druga goriva.
- Odvod zraka mora biti urejen v skladu s pravili.
- Otroci morajo biti pod nadzorom, da preprečite, da bi se igrali z napravo.
- Pod kuhinjsko napo ne flambirajte.
- Kuhinjska napa ni namenjena namestitvi nad kuhalno ploščo z več kot štirimi grelnimi elementi kuhalne plošče.

- V prostoru mora biti zagotovljeno primerno zračenje, če kuhinjsko napo uporabljate hkrati s štedilnikom na plin ali na drugo gorivo (ne velja za naprave, ki zrak samo odvajajo nazaj v prostor);
- Podrobnosti o metodi in pogostosti čiščenja.
- Obstaja nevarnost požara, če kuhinjske nape ne čistite v skladu z navodili.
- Pod kuhinjsko napo ne flambirajte.
- POZOR: Dostopni deli se lahko med uporabo kuhalnika močno segrejejo.

Nevarnost električnega udara

- Enoto priključite samo v ustrezno ozemljeno vtičnico. Če ste v dvomih, poiščite nasvet ustrezno usposobljenega inženirja.
- Neupoštevanje teh navodil lahko povzroči smrt, požar ali električni udar.



Svetilka, ki se uporablja v tem izdelku, ni primerna za razsvetljavo prostora.

Namen te svetilke je zagotoviti osvetlitev pri uporabi izdelka.

Električna napeljava

Celotno montažo lahko opravi samo kompetentna oseba oz. strokovno usposobljen električar. Preden priključite omrežno napajanje, se prepričajte, da omrežna napetost ustreza napetosti na tablici s tehničnimi podatki.

Neposredna priključitev

Naprava mora biti na električno omrežje priključena neposredno z večpolnim odklopnikom z razdaljo med kontakti vsaj 3 mm.

Monter mora zagotoviti, da je priključitev na električno omrežje ustrezna in skladna z diagramom ožičenja.

Kabel ne sme biti prepognjen ali stisnjen.

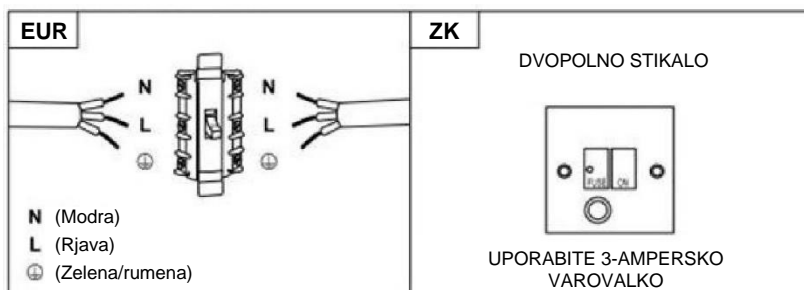
Redno preverjajte, ali sta vtič in napajalni kabel poškodovana. Če je napajalni kabel poškodovan, ga je treba zamenjati s posebnim kablom ali sklopom, ki je na voljo pri proizvajalcu ali njegovem serviserju.

OPOZORILO: To je naprava razreda I in MORA BITI ozemljena. Tej napravi je priložen 3-jedrni električni kabel, obarvan na naslednji način:

Rjava = L ali pod napetostjo

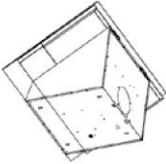










Modra = N ali nevtralno

Zelena in rumena = E ali ozemljitev ⚡



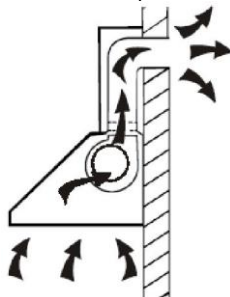
Varovalka mora biti 3-amperska.

Seznam standardnih dodatkov za montažo

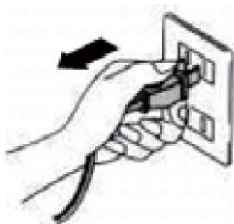
Specifikacija	Slika za ilustracijo	Količina
Glavni del nape		1
Spodnji odvod (500mm)		1
Zgornji odvod (500mm)		1
Nosilec zgornjega odvoda		1
Nosilec spodnjega odvoda		1
Nosilec kuhinjske nape		1
φ8 zidni vložki φ8 x φ6 bele barve		9
Vijak (ST4 * 30 mm)		9
Vijak (ST4 * 8 mm)		6
Odvod zraka		1
Filter z ogljem		2

NAMESTITEV (montaža na steno)

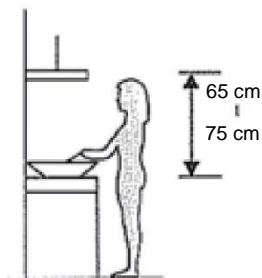
Če speljete odvod zraka iz hiše ven, lahko svojo kuhinjsko napo povežete, kot prikazuje slika spodaj, z napeljavo za odvod (emajl, aluminij, fleksibilne cevi, negorljive, z notranjim premerom 150 mm).



1. Pred montažo kuhinjsko napo izklopite in izključite z napajanja.



2. Kuhinjsko napo za optimalno učinkovitost namestite 65-75 cm nad kuhalno površino.

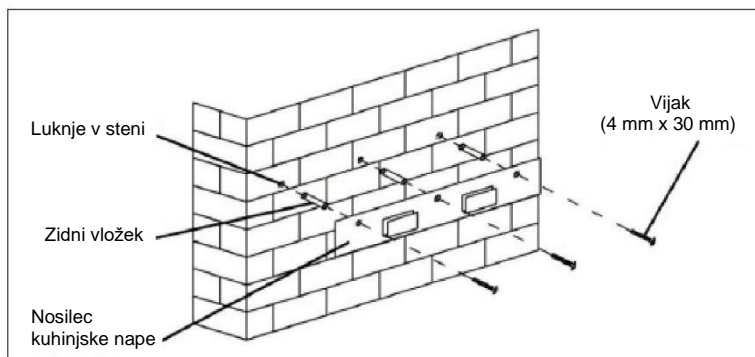


MONTAŽA NAPE

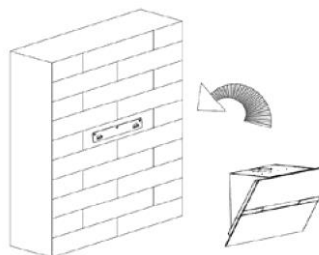
Namestite napo na želeno višino ob upoštevanju najmanjše višine nad kuhhalno ploščo.

Označite lokacijo stenskega nosilca (luknje postavite med 700 in 800 mm nad delovno ploščo). Odstranite napo in namestite stenski nosilec, da označite mesta lukenj na steni.

Izvrtaite 3 luknje v steno za vstavljanje ustreznega pritrdilnega sistema (vijak ST4 x 30 mm).



Napo obesite v zareze stenskega nosilca.

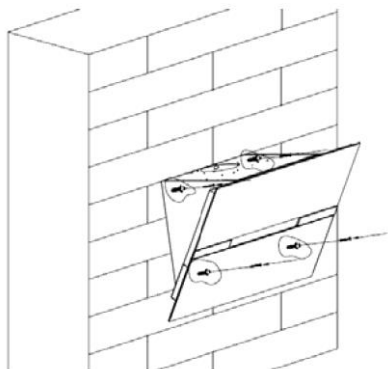


MONTAŽA NAPE

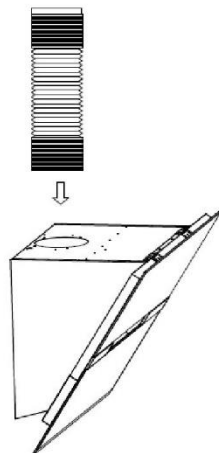
Ko je napa nameščena, poiščite mesto 4 dodatnih stenskih vijakov, kot je prikazano na spodnjem diagramu.

Odstranite nabo, da predrete steno in vstavite zidne vložke.

Glavni del nape pritrdite s 4 vijaki s premerom 4 mm z mozniki, prilagojenimi vaši steni.



Če je izbran način sesanja, postavite izhodni prezračevalnik na izhod zraka, kot je prikazano.



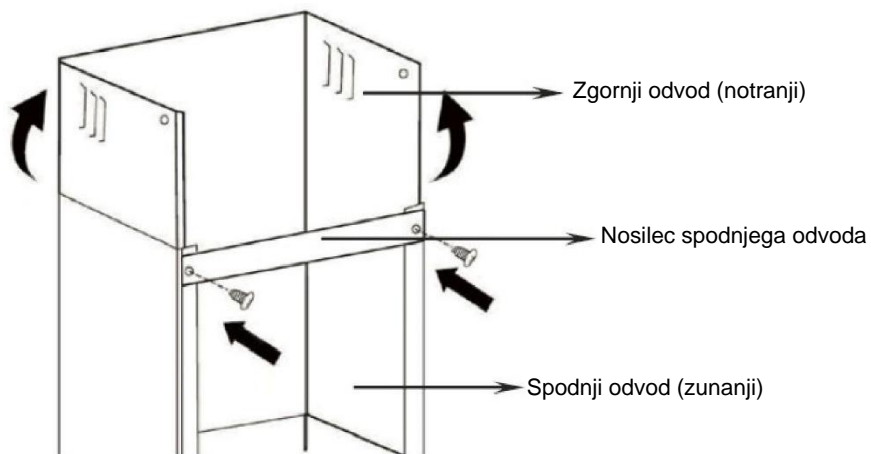
MONTAŽA NAPE

Nosilec spodnjega odvoda pritrdite na spodnji odvod, kot je prikazano.

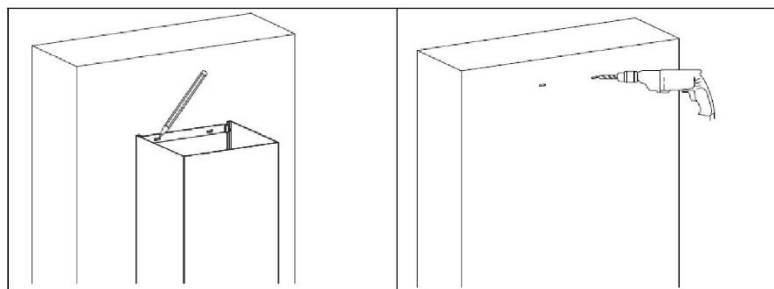
Uporabite 2 vijaka ST4 x 8 mm.

(Ne zategujte vijakov pretesno, poskrbite, da bo zgornji odvod zlahka zdrsnil v spodnji odvod.)

Zgornji odvod vstavite v spodnji odvod.



Vstavite spodnji odvod v napravo, nato označite luknje na steni.

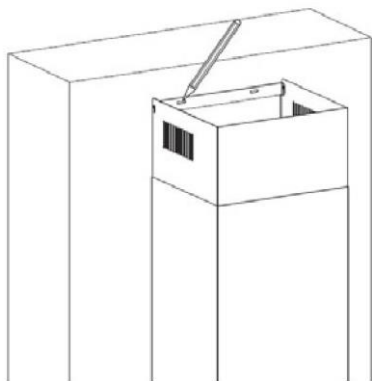
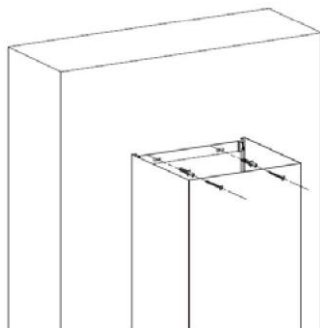


Odstranite spodnji odvod, nato izvrtajte luknje v steno: luknja za premer vijaka $\Phi 8$ mm.

Uporabite moznike, prilagojene vaši steni.

MONTAŽA NAPE

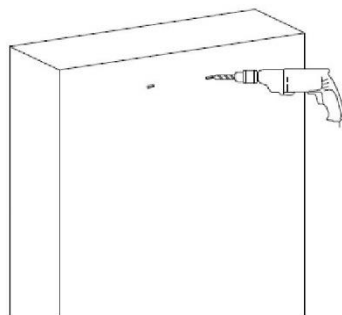
Namestite spodnji odvod, nato ga privijte na steno z 2 vijakoma premera Φ 8 mm.



Nato potegnite zgornji odvod navzgor do zelene višine. Označite mesta montažnih lukenj v steno.

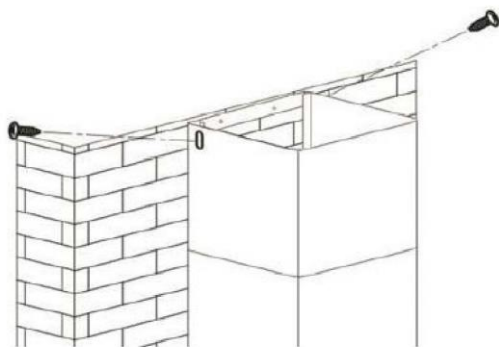
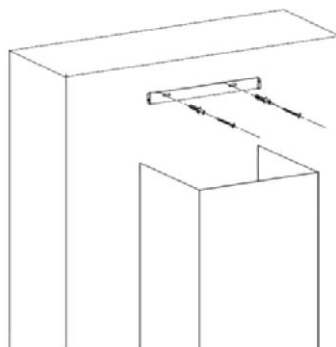
Spustite zgornji odvod in nato izvrtajte luknje v steno.

Vstavite moznike, prilagojene vaši steni.



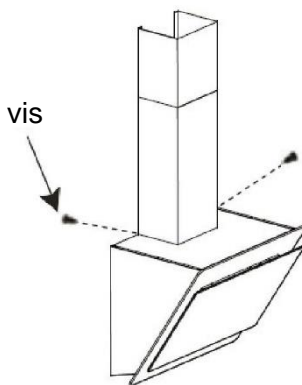
MONTAŽA NAPE

Stenski nosilec zgornjega odvoda pritrdite na steno z izbranimi nastavki (priporočamo 8 mm vijake).

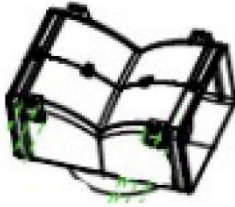






Ponovno sestavite zgornji odvod in ga pritrdite na stenski nosilec z 2 vijakoma ST4 x 8 mm.

Spodnji odvod pritrdite na vodila kuhinjske nape z 2 vijakoma ST4 x 8 mm.



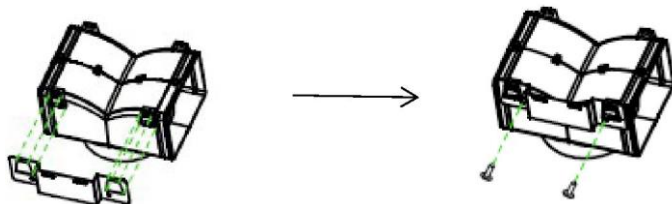
Seznam standardnih dodatkov za montažo

Specifikacija	Slika za ilustracijo	Količina
Odbijač zraka		1
Nosilec		1
$\varnothing 8$ zidni vložki $\varnothing 8 \times \varnothing 6$ bela barva		2
Vijaki ST4.0 x 30		2
Vijaki ST3.5 x 12		2

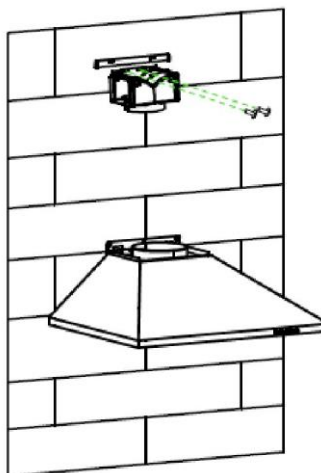
MONTAŽA (ODBIJAČ ZRAKA ZA MODELE V OBLIKI ČRKE T, Z UKRIVLJENIM STEKLOM, RAVNIM STEKLOM):

Odbijač zraka je naveden kot priložen in ni izbiren.

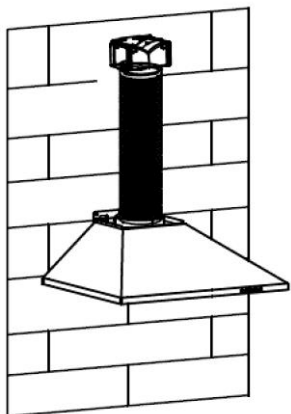
1. Pritrdite nosilec na plastično vtičnico v obliki črke T s priloženima vijakoma ST 3.5 x 12 mm, kot je prikazano spodaj:



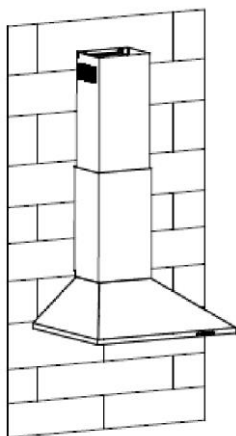
2. V steno zvrtejte 2 luknji, da boste lahko namestili zidne vložke, nato privijte nosilec na steno s priloženima vijakoma ST 4 x 30 mm.



3. Pritrdite izhodno cev na izhod zraka nape, kot je prikazano spodaj:



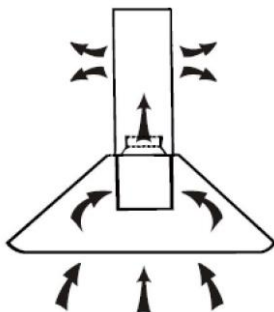
4. Namestite odvod na enoto in ga pritrdite.



- »Upoštevajte: Plastičnega izhoda v obliki črke T in v-lopotic ni mogoče uporabljati hkrati. Uporabite jih lahko na dva načina: 1) Dodajte v-loputico na obstoječi izhod; 2) Uporabite plastični izhod v obliki črke T, brez dodajanja v-loputice.«
- »Opomba: Izdelek je opremljen z dodatkom v-loputice. Ta dodatna oprema ni obvezna za namestitev, delovanje in uporabo izdelka.«

MONTAŽA (ODVOD ZRAKA V PROSTORU)

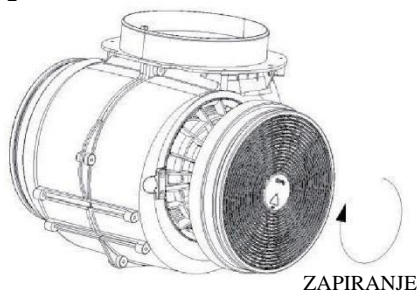
Če nimate izhoda na prosto, izhodna cev ni potrebna in je montaža podobna tisti iz razdelka »MONTAŽA (ODVOD ZRAK IZ PROSTORA)«.



Filter z aktivnim ogljem se lahko uporablja proti neprijetnim vonjem. Da boste lahko namestili filter z aktivnim ogljem, morate najprej umakniti maščobni filter. Pritisnite zaklep in ga povlecite navzdol.



Vtaknite filter z aktivnim ogljem v enoto in ga obrnite v smeri urinega kazalca. Enako ponovite na drugi strani.



OPOMBA:

- *Prepričajte se, da je filter varnostno blokiran. V nasprotnem filter ne bo pritrjen in bo predstavljal nevarnost.*
- *Ko je filter z aktivnim ogljem pritrjen, bo moč sesanja manjša.*

OPIS SESTAVNIH DELOV

1

2

3

B



DELOVANJE

STANJE PRIPRAVLJENOSTI.

Po vklopu je vsa razsvetljava, sistem v **STANJU PRIPRAVLJENOSTI**.

1

Gumb za nizko hitrost

Uporablja se za prezračevanje kuhinje. Primerno je za dušenje in kuhanje, ki ne ustvarita veliko pare.

2

Gumb za srednjo hitrost

Hitrost pretoka zraka je idealna za prezračevanje pri standardnem kuhanju.

3

Gumb za visoko hitrost

Ko nastane visoka gostota dima ali pare, pritisnite gumb za visoko hitrost za izredno učinkovito prezračevanje.

B

Funkcija dodatne moči

Ta napa ima funkcijo dodatne moči. Če želite aktivirati dodatno moč, pritisnite **B** za hitrost 4, vnesite najvišjo hitrost, ko je napa v uporabi, in hitrost se bo povečala za 5 minut, preden se bo ponovno upočasnila.



Manj umazana površina

Kratek pritisk za vklop in izklop osvetlitve

Hitri časovnik: Pritisnite gumb za luč in ga držite 3 sekunde. Gumbi za hitrost ventilatorja bodo utripali in začelo se bo 5-minutno odštevanje. Po 5 minutah se bosta motor in luč samodejno izklopila s tremi zvočnimi signali.

VZDRŽEVANJE

Pred čiščenjem enoto izklopite in izključite iz napajanja.

I. Redno čiščenje

Uporabite mehko krpo, navlaženo s toplo, rahlo milno vodo ali gospodinjskim čistilnim sredstvom. Nikoli ne uporabljajte kovinskih blazinic, kemikalij, abrazivnega materiala ali grobe krtače za čiščenje enote.

II. Mesečno čiščenje maščobnega filtra

BISTVENO: Vsak mesec očistite filter, da preprečite nevarnost požara.

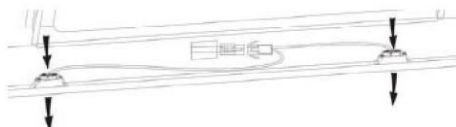
Filter zbira maščobo, dim in prah, tako da filter neposredno vpliva na učinkovitost kuhinjske nape. Če ga ne očistite, se ostanek masti (potencialno vnetljiv) nabere na filtru. Očistite ga z gospodinjskim čistilnim detergentom.

III. Letno čiščenje filtra z aktivnim ogljikom

Uporablja se IZKLJUČNO za enoto, ki je nameščena kot enota za kroženje (ne odzračuje se v zunanost). Ta filter lovi vonjave in ga je treba zamenjati vsaj enkrat letno, odvisno od tega, kako pogosto se uporablja kuhinjska napa.

IV. Zamenjava žarnice

Odstranite vijake na steklu, odstranite steklo nape. Poiščite žarnico, ki jo je treba zamenjati. Našli jo boste v sijalki, ki je v izpostavljenem delu nadstreška.



Odklopite točko ožičenja luči in iz nape odstranite nosilce žarnic in ožičenje. Pomembno: Žarnic ni mogoče zamenjati posamično, žarnice, nosilce žarnic in ožičenje je treba pridobiti kot celoten del. (Luč LED: največ 1,5 W)

Namestite nadomestne žarnice, nosilce žarnic in ožičenje na enak način kot originalne dele. Nato ponovno priključite točko ožičenja luči.

Ponovno namestite steklo nape in pritrdite vijake za steklo. Prepričajte se, da so vijaki popolnoma priviti.

ODPRAVLJANJE TEŽAV

Napaka	Vzrok	Rešitev
Luč prižgana, vendar ventilator ne deluje	Lopatica ventilatorja se je zataknila.	Izklopite enoto, popravilo pa naj izvede samo usposobljeno servisno osebje.
	Motor je poškodovan.	
Luč in ventilator ne delujeta	Halogenska žarnica je pregorela.	Zamenjajte žarnico s pravilno nazivno močjo.
	Napajalni kabel se je snel.	Ponovno priključite napajanje.
Resne vibracije enote	Lopatica ventilatorja je poškodovana.	Izklopite enoto, popravilo pa naj izvede samo usposobljeno servisno osebje.
	Motor ventilatorja ni trdno pritrjen.	Izklopite enoto, popravilo pa naj izvede samo usposobljeno servisno osebje.
	Enota ni pravilno obešena na nosilec.	Odstranite enoto in preverite, ali je nosilec na ustreznem mestu.
Slaba sesalna zmogljivost	Predolga razdalja med enoto in kuhalno površino	Ponovno nastavite razdaljo na 65–75 cm

SLUŽBA ZA POMOČ STRANKAM

Če ne morete ugotoviti vzroka za nepravilnosti pri delovanju, izklopite napravo in se obrnite na službo za pomoč strankam.

SERIJSKA ŠTEVILKA IZDELKA. Kje jo lahko najdem?

Pomembno je, da šifro izdelka in serijsko številko (16-mestna šifra, ki se začne s številko 3) sporočite službi za pomoč strankam. Najdete jo lahko na garancijskem certifikatu ali na podatkovni ploščici, ki se nahaja na napravi.

Tako boste preprečili, da bi tehnik do vas potoval zaman, in se boste tako (in najbolj pomembno) izognili nepotrebnim stroškom za obisk.

Ta aparat je označen v skladu z Direktivo št. 2012/19/EU Evropskega parlamenta in Sveta o odpadni električni in elektronski opremi (OEEO).

OEEO vsebuje tako okolju škodljive snovi (ki lahko povzročijo negativne posledice za okolje) kot osnovne komponente (ki jih je mogoče ponovno uporabiti).



Posebna obdelava za OEEO je nujna, da se odstranijo in ustrezno odlagajo vsa onesnaževala ter predelajo in reciklirajo vsi materiali.

Posamezniki imajo lahko pomembno vlogo pri preprečevanju, da bi OEEO postala okoljska težava. Nujno je treba upoštevati nekatera temeljna pravila:

OEEO ne sme biti obravnavana kot gospodinjski odpadki.

OEEO je treba predati ustreznim zbirnim mestom, ki jih upravlja občina ali registrirana podjetja. V mnogih državah je zaradi velikih količin OEEO lahko zagotovljen domači odvoz.

V številnih državah lahko ob nakupu novega aparata starega oddate prodajalcu, ki ga je dolžan brezplačno prevzeti po načelu eden za enega, če je nova oprema enake vrste in ima enake funkcije kot stara.

ΕΓΚΑΤΑΣΤΑΣΗ ΚΑΙ ΕΓΧΕΙΡΙΔΙΟ ΧΡΗΣΤΗ

ΠΕΡΙΕΧΟΜΕΝΑ

ΕΙΣΑΓΩΓΗ	212
ΠΡΟΦΥΛΑΞΕΙΣ ΑΣΦΑΛΕΙΑΣ	212
ΗΛΕΚΤΡΙΚΗ ΕΓΚΑΤΑΣΤΑΣΗ	214
ΠΡΟΔΙΑΓΡΑΦΕΣ	215
ΕΓΚΑΤΑΣΤΑΣΗ (ΕΞΩΤΕΡΙΚΟΣ ΑΕΡΙΣΜΟΣ)	216
ΕΓΚΑΤΑΣΤΑΣΗ (ΕΣΩΤΕΡΙΚΟΣ ΑΕΡΙΣΜΟΣ)	225
ΠΕΡΙΓΡΑΦΗ ΕΞΑΡΤΗΜΑΤΩΝ	226
ΛΕΙΤΟΥΡΓΙΑ	226
ΣΥΝΤΗΡΗΣΗ	227
ΑΝΤΙΜΕΤΩΠΙΣΗ ΠΡΟΒΛΗΜΑΤΩΝ	228
ΣΥΜΜΟΡΦΩΣΗ ΜΕ ΤΙΣ ΟΔΗΓΙΕΣ	228
ΠΡΟΣΤΑΣΙΑ ΤΟΥ ΠΕΡΙΒΑΛΛΟΝΤΟΣ	229

ΕΙΣΑΓΩΓΗ

Σας ευχαριστούμε που επιλέξατε αυτόν τον απορροφητήρα.

Αυτό το εγχειρίδιο οδηγιών έχει σχεδιαστεί για να σας παρέχει όλες τις απαιτούμενες οδηγίες σχετικά με την εγκατάσταση, τη χρήση και τη συντήρηση της συσκευής.

Για τη σωστή λειτουργία και την ασφάλεια της μονάδας, διαβάστε προσεκτικά αυτό το εγχειρίδιο οδηγιών πριν από την εγκατάσταση και τη χρήση.

Ο απορροφητήρας χρησιμοποιεί υλικά υψηλής ποιότητας και είναι κατασκευασμένος με βελτιωμένο σχεδιασμό. Εξοπλισμένος με ηλεκτρικό μοτέρ μεγάλης ισχύος και φυγοκεντρικό ανεμιστήρα, παρέχει επίσης ισχυρή ισχύ αναρρόφησης, λειτουργία χαμηλού θορύβου, αντικολλητικό φίλτρο λίπους και εύκολη συναρμολόγηση.

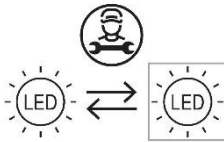
ΠΡΟΦΥΛΑΞΕΙΣ ΑΣΦΑΛΕΙΑΣ

- Μην αφήνετε ποτέ τα παιδιά να χειρίζονται το μηχάνημα.
- Ο απορροφητήρας είναι μόνο για οικιακή χρήση, δεν είναι κατάλληλος για μπάρμπεκιου, ψητοπωλεία και άλλους εμπορικούς σκοπούς.
- Ο απορροφητήρας και το φίλτρο του πρέπει να καθαρίζονται τακτικά για να διατηρούνται σε καλή κατάσταση.
- Καθαρίστε τον απορροφητήρα σύμφωνα με το εγχειρίδιο οδηγιών και προφυλάξτε τη μονάδα από τον κίνδυνο καύσης.
- Απαγορεύεται το άμεσο ψήσιμο από κουζίνα υγραερίου. Φροντίστε για τον καλό αερισμό της κουζίνας.
- Πριν συνδέσετε αυτή τη συσκευή, ελέγξτε ότι το καλώδιο τροφοδοσίας δεν έχει υποστεί ζημιά. Ένα κατεστραμμένο καλώδιο τροφοδοσίας πρέπει να αντικαθίσταται μόνο από εξειδικευμένο προσωπικό σέρβις.
- Θα πρέπει να υπάρχει επαρκής εξαερισμός του χώρου όταν χρησιμοποιείται ο απορροφητήρας ταυτόχρονα με τις συσκευές που καίνε υγραέριο ή άλλα καύσιμα,
- Ο αέρας δεν πρέπει να εκκενώνεται σε μια καπνοδόχο που χρησιμοποιείται για την εξαγωγή καπνών από συσκευές καύσης υγραερίου ή άλλων καυσίμων,
- Οι κανόνες που αφορούν την εκκένωση του αέρα πρέπει να πληρούνται.
- Τα παιδιά πρέπει να εποπτεύονται συνεχώς ώστε να διασφαλιστεί ότι δεν παίζουν με τη συσκευή.
- Μην ανάβετε φωτιά με φλόγες κάτω από τον απορροφητήρα.
- Ο απορροφητήρας δεν προορίζεται για εγκατάσταση πάνω από εστία με περισσότερα από τέσσερα στοιχεία εστίας.

- Θα πρέπει να υπάρχει επαρκής εξαερισμός του δωματίου όταν ο απορροφητήρας χρησιμοποιείται ταυτόχρονα με συσκευές που καίνε υγραέριο ή άλλα καύσιμα (δεν ισχύει για συσκευές που εκκενώνουν μόνο τον αέρα πίσω στο δωμάτιο),
- τις λεπτομέρειες σχετικά με τη μέθοδο και τη συχνότητα καθαρισμού.
- υπάρχει κίνδυνος πυρκαγιάς εάν ο καθαρισμός δεν πραγματοποιείται σύμφωνα με τις οδηγίες,
- μην ανάβετε φωτιά με φλόγες κάτω από τον απορροφητήρα.
- ΠΡΟΣΟΧΗ: Τα προσβάσιμα εξαρτήματα ενδέχεται να ζεσταθούν όταν χρησιμοποιούνται μαζί με συσκευές μαγειρέματος.

Κίνδυνος ηλεκτροπληξίας

- Συνδέστε αυτή τη μονάδα μόνο σε μια σωστά γειωμένη πρίζα. Εάν έχετε αμφιβολίες, ζητήστε συμβουλές από έναν κατάλληλα καταρτισμένο μηχανικό.
- Η μη τήρηση αυτών των οδηγιών μπορεί να οδηγήσει σε θάνατο, πυρκαγιά ή ηλεκτροπληξία.



Η λάμπα που χρησιμοποιείται σε αυτό το προϊόν δεν είναι κατάλληλη για χρήση για το φωτισμό ενός δωματίου.

Ο σκοπός αυτής της λάμπας είναι να παρέχει φωτισμό για τη χρήση του προϊόντος.

Ηλεκτρική εγκατάσταση

Όλες οι εργασίες εγκατάστασης πρέπει να εκτελούνται από αρμόδιο άτομο ή εξειδικευμένο ηλεκτρολόγο. Πριν συνδέσετε την παροχή ρεύματος, βεβαιωθείτε ότι η τάση δικτύου αντιστοιχεί στην τάση στην πινακίδα τεχνικών χαρακτηριστικών.

Απευθείας σύνδεση

Η συσκευή πρέπει να συνδέεται απευθείας με την παροχή ρεύματος, στην οποία πρέπει να εγκατασταθεί ένας παντοπολικός διακόπτης με ελάχιστο διάκενο 3 mm μεταξύ των επαφών.

Ο εγκαταστάτης πρέπει να διασφαλίσει ότι έχει γίνει η σωστή ηλεκτρική σύνδεση και ότι συμμορφώνεται με το διάγραμμα τοποθέτησης των καλωδίων και συνδέσεων.


Το καλώδιο δεν πρέπει να λυγίσει ή να συμπιεστεί.

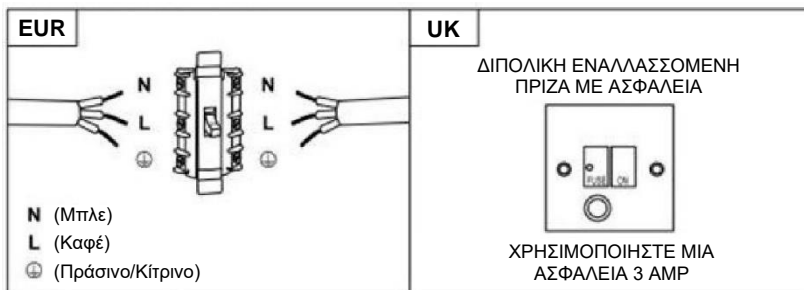
Να ελέγχετε τακτικά το βύσμα τροφοδοσίας και το καλώδιο τροφοδοσίας για ζημιές. Εάν το καλώδιο τροφοδοσίας είναι κατεστραμμένο, πρέπει να αντικατασταθεί από ένα ειδικό καλώδιο ή συγκρότημα που διατίθεται από τον κατασκευαστή ή τον αντιπρόσωπο σέρβις του.

ΠΡΟΕΙΔΟΠΟΙΗΣΗ: Αυτή είναι μια συσκευή Κατηγορίας I και ΠΡΕΠΕΙ να είναι γειωμένη. Αυτή η συσκευή παρέχεται με καλώδιο τροφοδοσίας 3 πυρήνων, με το εξής χρώμα:

Καφέ = L ή Φάση με ρεύμα


Μπλε = N ή Ουδέτερο

Πράσινο και Κίτρινο = E ή Γείωση 



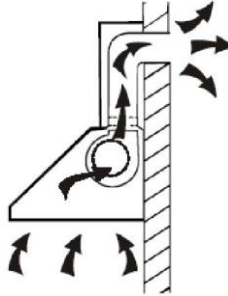
Η ασφάλεια πρέπει να έχει ονομαστική τιμή 3 Amps.

Λίστα εξαρτημάτων τυπικής εγκατάστασης

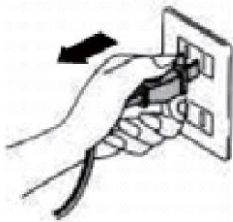
Προδ.	Εικονογραφημένη εικόνα	Ποσότητα
Σώμα ανεμιστήρα		1
Κάτω καμινάδα (500 mm)		1
Άνω καμινάδα (500 mm)		1
Στήριγμα άνω καμινάδας		1
Στήριγμα κάτω καμινάδας		1
Στήριγμα απορροφητήρα κουζίνας		1
φ8 βύσματα rawl φ8xφ6 λευκό χρώμα		9
Βίδα (ST4 * 30 mm)		9
Βίδα (ST4 * 8 mm)		6
Έξοδος αέρα		1
Φίλτρο άνθρακα		2

ΕΓΚΑΤΑΣΤΑΣΗ (τοποθέτηση σε τοίχο)

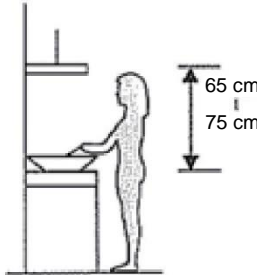
Εάν υπάρχει μια έξοδος προς τα έξω, ο απορροφητήρας σας μπορεί να συνδεθεί όπως φαίνεται στην παρακάτω εικόνα μέσω ενός αγωγού εξαγωγής (από σμάλτο, αλουμίνιο, μη εύφλεκτο εύκαμπτο σωλήνα, με εσωτερική διάμετρο 150 mm)



1. Πριν από την εγκατάσταση, απενεργοποιήστε τη συσκευή και αποσυνδέστε την από την πρίζα.



2. Ο απορροφητήρας πρέπει να τοποθετηθεί σε απόσταση 65~75 cm πάνω από την επιφάνεια μαγειρέματος για καλύτερο αποτέλεσμα.

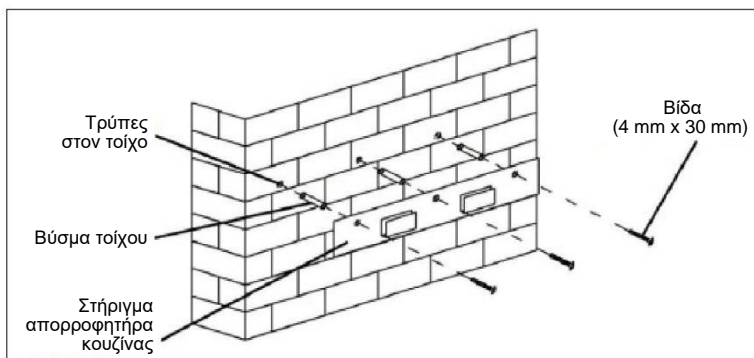


ΕΓΚΑΤΑΣΤΑΣΗ ΤΟΥ ΑΠΟΡΡΟΦΗΤΗΡΑ

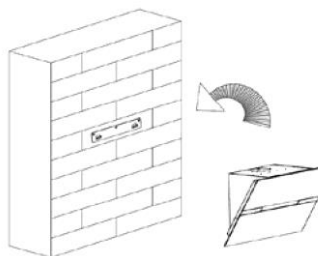
Τοποθετήστε τον απορροφητήρα στο επιθυμητό ύψος τηρώντας το ελάχιστο ύψος πάνω από την εστία.

Σημειώστε τη θέση του στηρίγματος τοίχου (Τοποθετήστε τις οπές μεταξύ 700 και 800 mm πάνω από τον πάγκο εργασίας). Αφαιρέστε τον απορροφητήρα και τοποθετήστε το στήριγμα τοίχου για να σημειώσετε τις θέσεις των οπών στον τοίχο.

Ανοίξτε τις 3 τρύπες στον τοίχο για να τοποθετήσετε το κατάλληλο σύστημα στερέωσης (βίδα ST4 x 30 mm).



Κρεμάστε τον απορροφητήρα στις εγκοπές του στηρίγματος τοίχου.

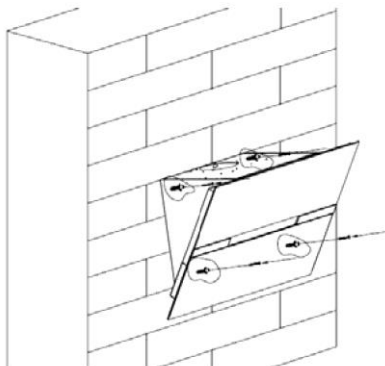


ΕΓΚΑΤΑΣΤΑΣΗ ΤΟΥ ΑΠΟΡΡΟΦΗΤΗΡΑ

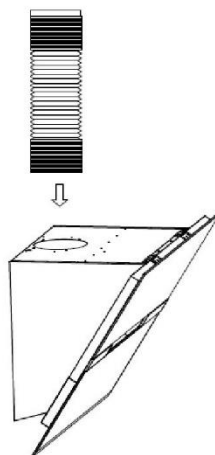
Μόλις τοποθετηθεί ο απορροφητήρας, εντοπίστε τη θέση των 4 πρόσθετων βιδών επιτοίχιας στήριξης όπως φαίνεται στο παρακάτω διάγραμμα.

Αφαιρέστε τον απορροφητήρα για να τρυπήσετε τον τοίχο και τοποθετήστε βύσματα τοίχου.

Στερεώστε το σώμα του απορροφητήρα με 4 βίδες διαμέτρου 4 mm χρησιμοποιώντας πείρους προσαρμοσμένους στον τοίχο σας.



Εάν έχει επιλεγεί η λειτουργία εξαγωγής, τοποθετήστε τον αγωγό εξαγωγής αέρα στην έξοδο αέρα όπως φαίνεται στην εικόνα.



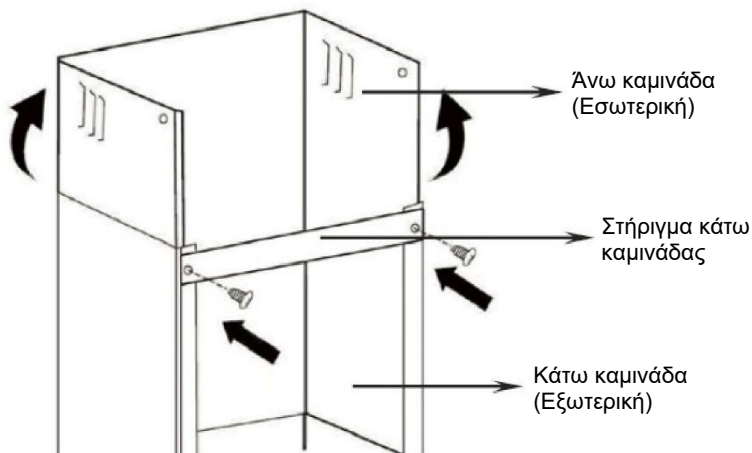
ΕΓΚΑΤΑΣΤΑΣΗ ΤΟΥ ΑΠΟΡΡΟΦΗΤΗΡΑ

Στερεώστε το στήριγμα της κάτω καμινάδας στην κάτω καμινάδα όπως φαίνεται.

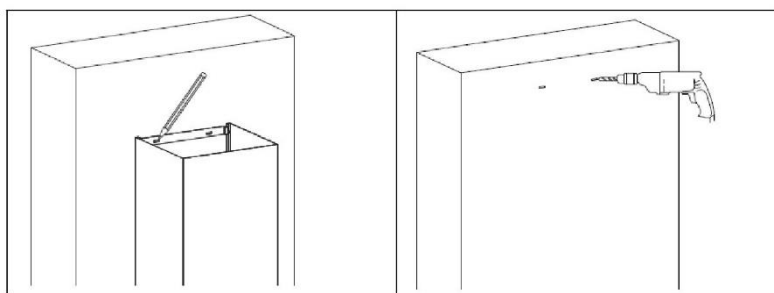
Χρησιμοποιήστε 2 βίδες ST4 x 8 mm.

(Μην σφίγγετε υπερβολικά τις βίδες, βεβαιωθείτε ότι η επάνω καμινάδα μπορεί να γλιστρήσει εύκολα στην κάτω καμινάδα)

Εισαγάγετε την επάνω καμινάδα στην κάτω καμινάδα.



Τοποθετήστε την κάτω καμινάδα στη συσκευή και, στη συνέχεια, μαρκάρετε τις οπές στον τοίχο.

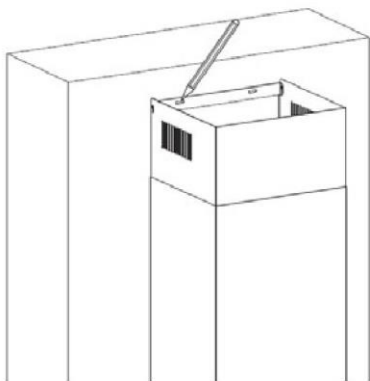
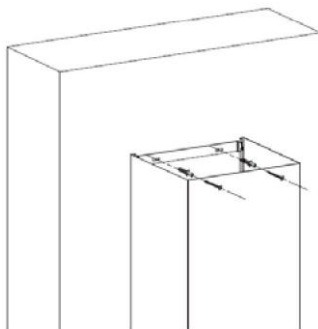


Αφαιρέστε την κάτω καμινάδα και, στη συνέχεια, ανοίξτε τρύπες στον τοίχο: οπή για βίδα διαμέτρου Φ8 mm

Χρησιμοποιήστε τους πείρους προσαρμοσμένους στον τοίχο σας

ΕΓΚΑΤΑΣΤΑΣΗ ΤΟΥ ΑΠΟΡΡΟΦΗΤΗΡΑ

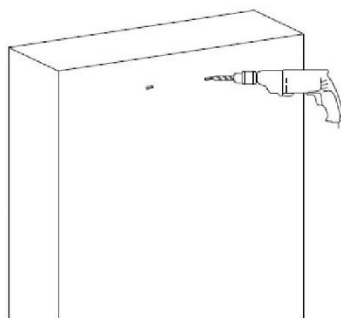
Τοποθετήστε την κάτω καμινάδα και, στη συνέχεια, βιδώστε την στον τοίχο με 2 βίδες διαμέτρου Φ 8 mm



Στη συνέχεια, τραβήξτε την άνω καμινάδα προς τα πάνω στο επιθυμητό ύψος. Σημειώστε τις θέσεις των οπών στερέωσης του στηρίγματος της άνω καμινάδας.

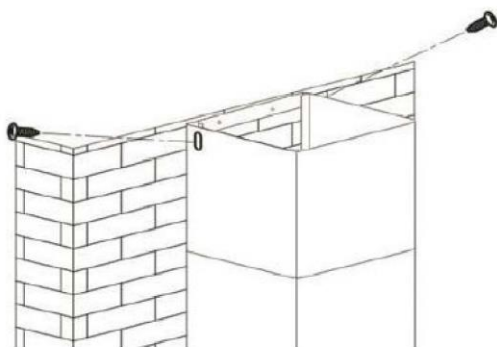
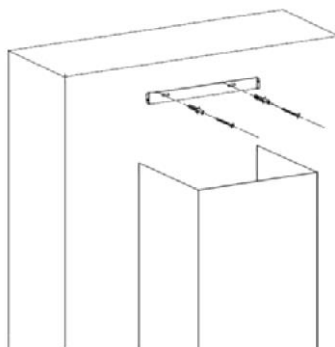
Κατεβάστε την άνω καμινάδα και, στη συνέχεια, ανοίξτε τρύπες στον τοίχο.

Τοποθετήστε τους πείρους προσαρμοσμένους στον τοίχο σας



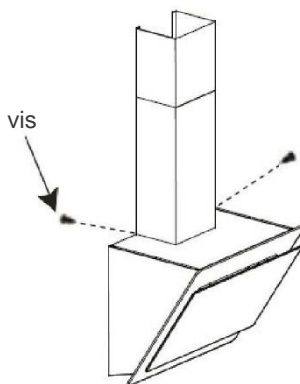
ΕΓΚΑΤΑΣΤΑΣΗ ΤΟΥ ΑΠΟΡΡΟΦΗΤΗΡΑ

Στερεώστε το στήριγμα τοίχου της άνω καμινάδας στον τοίχο χρησιμοποιώντας τους επιλεγμένους πείρους (συνιστώνται βίδες 8 mm).

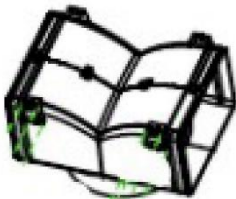






Συναρμολογήστε ξανά την άνω καμινάδα και στερεώστε την στο στήριγμα τοίχου με 2 βίδες ST4 x 8 mm

Στερεώστε την κάτω καμινάδα στις γλωτίδες του απορροφητήρα κουζίνας χρησιμοποιώντας 2 βίδες ST4 x 8 mm.



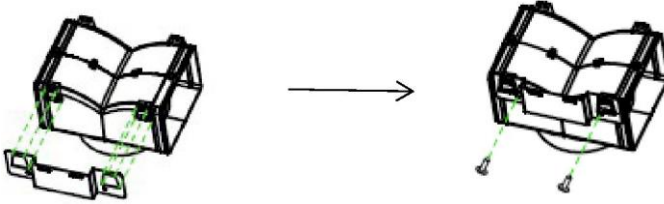
Λίστα εξαρτημάτων τυπικής εγκατάστασης

Προδ.	Εικονογραφημένη εικόνα	Ποσότητα
Εκτροπέας αέρα		1
Στήριγμα		1
φ8 βύσματα rawl φ8xφ6 λευκό χρώμα		2
Βίδες ST4.0 x 30		2
Βίδες ST3.5 x 12		2

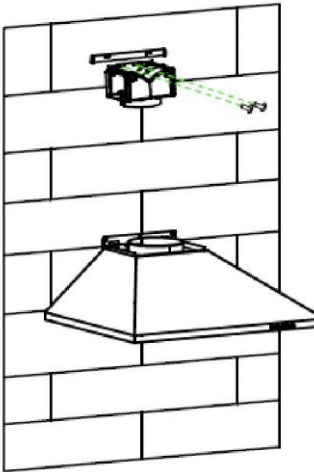
ΕΓΚΑΤΑΣΤΑΣΗ (ΕΚΤΡΟΠΕΑΣ ΑΕΡΑ ΓΙΑ ΜΟΝΤΕΛΑ ΣΧΗΜΑΤΟΣ T, ΚΥΡΤΟ ΓΥΑΛΙ, ΕΠΙΠΕΔΟ ΓΥΑΛΙ):

Ο εκτροπέας αέρα αναφέρεται ως περιλαμβανόμενος και όχι προαιρετικός.

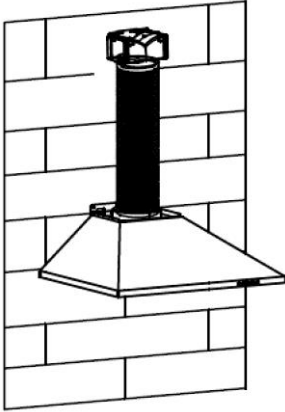
1. Στερεώστε το στήριγμα στην πλαστική έξοδο σχήματος T με 2 βίδες ST3,5 x 12 mm που παρέχονται όπως φαίνεται παρακάτω:



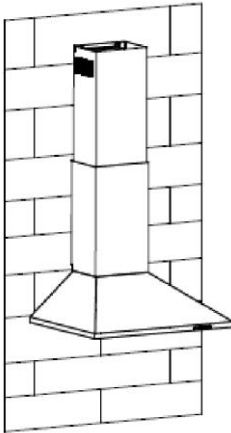
2. Ανοίξτε 2 τρύπες στον τοίχο για να χωρέσετε τα βύσματα τοίχου και, στη συνέχεια, βιδώστε και σφίξτε το στήριγμα στον τοίχο με 2 τμχ βίδες ST4 x 30 mm που παρέχονται.



3. Συνδέστε τον σωλήνα εξαγωγής στην έξοδο αέρα του απορροφητήρα όπως φαίνεται παρακάτω:



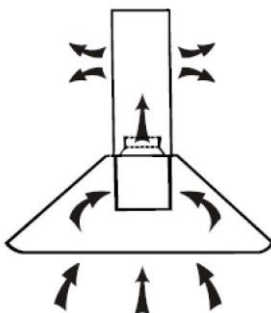
4. Τοποθετήστε την καμινάδα στη μονάδα και στερεώστε την.



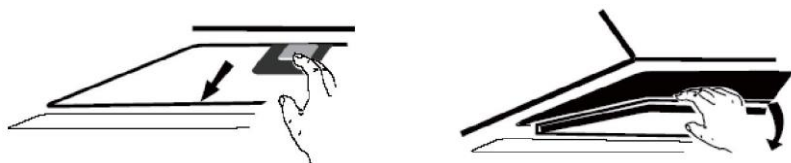
- «Σημειώστε: Η πλαστική έξοδος σε σχήμα T και τα πτερύγια σχήματος V δεν μπορούν να χρησιμοποιηθούν ταυτόχρονα. Μπορείτε να τα χρησιμοποιήσετε με δύο τρόπους: 1) Προσθέστε ένα πτερύγιο σχήματος V στην υπάρχουσα έξοδο ο. 2) Χρησιμοποιήστε την πλαστική έξοδο σε σχήμα T, χωρίς πρόσθετο πτερύγιο V.»
- «Σημείωση: Το προϊόν παρέχεται με αξεσουάρ πτερύγια σχήματος V. Αυτό το αξεσουάρ δεν είναι υποχρεωτικό για την εγκατάσταση, τη λειτουργία και τη χρήση του προϊόντος.»

ΕΓΚΑΤΑΣΤΑΣΗ (ΕΞΩΤΕΡΙΚΟΣ ΑΕΡΙΣΜΟΣ)

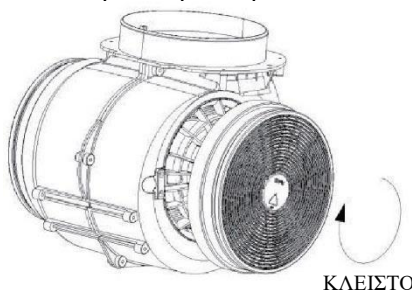
Εάν δεν υπάρχει έξοδος προς τα έξω, δεν απαιτείται σωλήνας εξαγωγής και η εγκατάσταση είναι παρόμοια με αυτή που εμφανίζεται στην ενότητα «ΕΓΚΑΤΑΣΤΑΣΗ (ΕΞΩΤΕΡΙΚΟΣ ΑΕΡΙΣΜΟΣ)».



Το φίλτρο ενεργού άνθρακα μπορεί να χρησιμοποιηθεί για την παγίδευση οσμών. Για να εγκαταστήσετε το φίλτρο ενεργού άνθρακα, πρέπει πρώτα να αφαιρέσετε το φίλτρο λίπους. Πιέστε την ασφάλεια και τραβήξτε την προς τα κάτω.



Συνδέστε το φίλτρο ενεργού άνθρακα στη μονάδα και γυρίστε το δεξιόστροφα. Επαναλάβετε το ίδιο και από την άλλη πλευρά.



ΣΗΜΕΙΩΣΗ:

- Βεβαιωθείτε ότι το φίλτρο είναι καλά ασφαλισμένο. Διαφορετικά, θα χαλαρώσει και θα προκαλέσει επικίνδυνες καταστάσεις.
- Όταν τοποθετηθεί φίλτρο ενεργού άνθρακα, η ισχύς αναρρόφησης θα μειωθεί

ΠΕΡΙΓΡΑΦΗ ΕΞΑΡΤΗΜΑΤΩΝ

1

2

3

B



ΛΕΙΤΟΥΡΓΙΑ

ΚΑΤΑΣΤΑΣΗ ΑΝΑΜΟΝΗΣ

Μετά τη σύνδεση με την παροχή ρεύματος, όλος ο φωτισμός και το σύστημα μεταβαίνουν σε **ΛΕΙΤΟΥΡΓΙΑ ΑΝΑΜΟΝΗΣ**.

1

Κουμπί χαμηλής ταχύτητας

Χρησιμοποιείται για τον εξαερισμό της κουζίνας. Είναι κατάλληλο για βράσιμο και μαγείρεμα που δεν βγάζουν πολύ ατμό.

2

Κουμπί μεσαίας ταχύτητας

Η ταχύτητα ροής αέρα είναι ιδανική για εξαερισμό σε τυπική λειτουργία μαγειρέματος.

3

Κουμπί υψηλής ταχύτητας

Όταν παράγεται υψηλής πυκνότητας καπνός ή ατμός, πατήστε το κουμπί υψηλής ταχύτητας για υψηλό αποτελεσματικό εξαερισμό.

B

Λειτουργία ενίσχυσης

Αυτός ο απορροφητήρας διαθέτει λειτουργία ενίσχυσης. Για να ενεργοποιήσετε τη λειτουργία ενίσχυσης, πιέστε το **B** για την ταχύτητα 4, ενεργοποιείται η υψηλότερη ταχύτητα ενώ χρησιμοποιείται ο απορροφητήρας και θα αυξηθεί η ταχύτητα για 5 λεπτά, πριν μειωθεί ξανά.



Φωτισμός

Σύντομο πάτημα για ενεργοποίηση και απενεργοποίηση του φωτισμού

Γρήγορο χρονόμετρο: Πατήστε παρατεταμένα το κουμπί του φωτισμού για 3 δευτερόλεπτα, τα κουμπιά ταχύτητας του ανεμιστήρα θα αναβοσβήνουν και θα μετρήσουν αντίστροφα για διάστημα 5 λεπτών, μετά από 5 λεπτά το μοτέρ και ο φωτισμός θα σβήσουν αυτόματα με τρεις ήχους του βομβητή.

ΣΥΝΤΗΡΗΣΗ

Πριν από τον καθαρισμό, απενεργοποιήστε τη μονάδα και βγάλτε την πρίζα.

I. Τακτικός καθαρισμός

Χρησιμοποιήστε ένα μαλακό πανί εμποτισμένο με ζεστό νερό με σαπούνι ή απορρυπαντικό οικιακού καθαρισμού. Μην χρησιμοποιείτε ποτέ μεταλλικά σφουγγαράκια, χημικά, λειαντικά υλικά ή σκληρή βούρτσα για να καθαρίσετε τη μονάδα.

II. Μηνιαίος καθαρισμός του φίλτρου λίπους

ΣΗΜΑΝΤΙΚΟ: Ο καθαρισμός του φίλτρου σε μηνιαία βάση μπορεί να αποτρέψει κάθε κίνδυνο πυρκαγιάς.

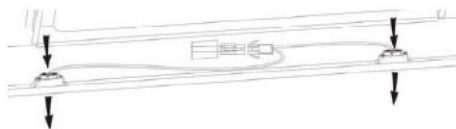
Το φίλτρο συλλέγει λίπος, καπνό και σκόνη, για τον λόγο αυτό το φίλτρο επηρεάζει άμεσα την απόδοση του απορροφητήρα. Εάν δεν καθαριστεί, τα υπολείμματα λίπους (δυσνητικά εύφλεκτα) θα κορεστούν στο φίλτρο. Καθαρίστε το με οικιακό απορρυπαντικό καθαρισμού.

III. Ετήσιος καθαρισμός για το φίλτρο ενεργού άνθρακα

Εφαρμόστε ΜΟΝΟ σε μονάδα που έχει εγκατασταθεί ως μονάδα ανακυκλοφορίας (δεν εξαερίζεται προς τα έξω). Αυτό το φίλτρο παγιδεύει τις οσμές και πρέπει να αντικαθίσταται τουλάχιστον μία φορά το χρόνο ανάλογα με τη συχνότητα χρήσης του απορροφητήρα.

IV. Αλλαγή του λαμπτήρα

Αφαιρέστε τις βίδες στο γυαλί, αφαιρέστε το γυαλί του απορροφητήρα. Βρείτε τον λαμπτήρα που χρειάζεται αντικατάσταση, θα τον βρείτε στο φωτιστικό που βρίσκεται μέσα στο εκτεθειμένο τμήμα του θόλου.



Αποσυνδέστε το σημείο καλωδίωσης του φωτός και αφαιρέστε τις βάσεις του λαμπτήρα και την καλωδίωση από τον απορροφητήρα. Σημαντικό: Δεν είναι δυνατή η μεμονωμένη αντικατάσταση των λαμπτήρων, θα χρειαστεί να προμηθευτείτε τους λαμπτήρες, τις βάσεις των λαμπτήρων και την καλωδίωση ως πλήρες εξάρτημα. (Φωτισμός LED: ΜΕΓ. 1,5W)

Τοποθετήστε τους ανταλλακτικούς λαμπτήρες, τις βάσεις των λαμπτήρων και την καλωδίωση με τους ίδιους τρόπους με τους πρωτότυπους. Στη συνέχεια, επανασυνδέστε το σημείο καλωδίωσης του φωτός.

Τοποθετήστε ξανά το γυαλί του απορροφητήρα και στερεώστε τις βίδες του γυαλιού. Βεβαιωθείτε ότι οι βίδες είναι πλήρως σφικμένες.

ΑΝΤΙΜΕΤΩΠΙΣΗ ΠΡΟΒΛΗΜΑΤΩΝ

Σφάλμα	Αιτία	Λύση
Αναμμένο φως, αλλά ο ανεμιστήρας δεν λειτουργεί	Η λεπίδα του ανεμιστήρα είναι μπλοκαρισμένη.	Απενεργοποιήστε τη μονάδα και προχωρήστε σε επίσκευή μόνο από εξειδικευμένο προσωπικό σέρβις.
	Το μοτέρ είναι κατεστραμμένο.	
Ο φωτισμός και ο ανεμιστήρας δεν λειτουργούν	Καμένος λαμπτήρας αλογόνου.	Αντικαταστήστε τον λαμπτήρα με τον κατάλληλο λαμπτήρα.
	Το καλώδιο ρεύματος έχει χαλαρώσει.	Συνδέστε ξανά στην τροφοδοσία ρεύματος.
Σοβαρή δόνηση της μονάδας	Η λεπίδα του ανεμιστήρα είναι κατεστραμμένη.	Απενεργοποιήστε τη μονάδα και προχωρήστε σε επίσκευή μόνο από εξειδικευμένο προσωπικό σέρβις.
	Το μοτέρ του ανεμιστήρα δεν είναι σφικτά στερεωμένο.	Απενεργοποιήστε τη μονάδα και προχωρήστε σε επίσκευή μόνο από εξειδικευμένο προσωπικό σέρβις.
	Η μονάδα δεν είναι αναρτημένη σωστά στο στήριγμα.	Κατεβάστε τη μονάδα και ελέγξτε εάν το στήριγμα βρίσκεται στη σωστή θέση.
Η απόδοση αναρρόφησης δεν είναι καλή	Πολύ μεγάλη απόσταση μεταξύ της μονάδας και του επιπέδου μαγειρέματος	Προσαρμόστε ξανά την απόσταση στα 65-75 cm

ΥΠΗΡΕΣΙΑ ΥΠΟΣΤΗΡΙΞΗΣ ΠΕΛΑΤΩΝ

Εάν δεν μπορείτε να προσδιορίσετε την αιτία της ανωμαλίας λειτουργίας, απενεργοποιήστε τη συσκευή και επικοινωνήστε με την υπηρεσία υποστήριξης.

ΣΕΙΡΙΑΚΟΣ ΑΡΙΘΜΟΣ ΠΡΟΪΟΝΤΟΣ. Που μπορώ να τον βρω;

Είναι σημαντικό να ενημερώσετε την Υπηρεσία Υποστήριξης για τον κωδικό του προϊόντος σας και τον σειριακό του αριθμό (ένας κωδικός 16 χαρακτήρων που αρχίζει με τον αριθμό 3). Αυτός μπορεί να βρεθεί στο πιστοποιητικό εγγύησης ή στην πινακίδα χαρακτηριστικών που βρίσκεται στη συσκευή.

Αυτό θα βοηθήσει στην αποφυγή χαμένων διαδρομών των τεχνικών, εξοικονομώντας έτσι (και το πιο σημαντικό) τις αντίστοιχες χρεώσεις κλήσης.

Αυτή η συσκευή φέρει σήμανση σύμφωνα με την ευρωπαϊκή οδηγία 2012/19/ΕΕ σχετικά με τα απόβλητα ηλεκτρικού και ηλεκτρονικού εξοπλισμού (WEEE).

Η Οδηγία περί Απορριμμάτων Ηλεκτρικών και Ηλεκτρονικών Συσκευών (WEEE) περιλαμβάνει ρυπογόνες ουσίες (που μπορούν να έχουν αρνητικές συνέπειες για το περιβάλλον) και βασικά εξαρτήματα (για επαναχρησιμοποίηση).



Είναι σημαντικό, σύμφωνα με την WEEE, να υπάρχουν ειδικές μέθοδοι επεξεργασίας, για την αφαίρεση και κατάλληλη επεξεργασία όλων των ρύπων, και ανάκτηση των ανακυκλώσιμων υλικών.

Τα φυσικά πρόσωπα μπορούν να παίξουν σημαντικό ρόλο και να εξασφαλίσουν ότι τα απορρίμματα ηλεκτρικών και ηλεκτρονικών συσκευών δεν προκαλεί περιβαλλοντικά θέματα. Γι' αυτό, είναι απαραίτητο να ακολουθήσουν ορισμένους βασικούς κανόνες:

Τα (αναφερόμενα στη λίστα) WEEE δεν πρέπει να αντιμετωπίζονται ως οικιακά απορρίμματα.

Τα (αναφερόμενα στη λίστα) WEEE πρέπει να παραδοθούν στα σχετικά σημεία συλλογής που διαχειρίζεται ο δήμος ή οι ειδικά εξουσιοδοτημένες σχετικά εταιρείες. Σε πολλές χώρες, πιθανόν να υπάρχουν ειδικές υπηρεσίες αποκομιδής απορριμμάτων ηλεκτρικών και ηλεκτρονικών συσκευών.

Σε πολλές χώρες, όταν αγοράζετε μια νέα συσκευή, η παλαιά μπορεί να επιστραφεί στον έμπορο λιανικής ο οποίος πρέπει να την παραλάβει δωρεάν με βάση την αρχή "ένα προς ένα", αρκεί ο εξοπλισμός να είναι ισοδύναμου τύπου και να έχει την ίδια λειτουργία με τον παρεχόμενο εξοπλισμό.

MANUAL DE INSTALARE ȘI UTILIZARE

CUPRINS

INTRODUCERE	231
MĂSURI DE SIGURANȚĂ	231
INSTALAȚIE ELECTRICĂ	233
INSTALARE (MONTARE PE PERETE)	235
INSTALARE (VENTILAȚIE ÎN INTERIOR)	244
DESCRIEREA COMPONENTELOR	245
FUNȚIONARE	245
ÎNTREȚINEREA	246
DEPANARE	247
SERVICIUL DE ASISTENȚĂ CLIENȚI	247
PROTECȚIA AMBIENTALĂ	248

INTRODUCERE

Vă mulțumim că ați ales această hotă.

Acest manual de instrucțiuni este conceput pentru a vă oferi toate instrucțiunile necesare legate de instalarea, utilizarea și întreținerea aparatului. Pentru a utiliza unitatea corect și în siguranță, vă rugăm să citiți cu atenție acest manual de instrucțiuni înainte de instalare și utilizare.

Hota folosește materiale de înaltă calitate și este realizată cu un design optimizat. Echipată cu motor electric de mare putere și ventilator centrifugal, aceasta oferă, de asemenea, putere de aspirație puternică, funcționare cu zgomot redus, filtru de grăsime antiaderent și instalare ușoară.

MĂSURI DE SIGURANȚĂ

- Nu lăsați niciodată copiii să opereze aparatul.
- Hota este strict pentru uz casnic, nu este potrivită pentru grătar, restaurant grill și alte scopuri comerciale.
- Hota și filtrul acesteia trebuie curățate în mod regulat pentru a se menține în stare bună de funcționare.
- Curățați hota conform manualului de instrucțiuni și evitați pericolul de ardere a unității.
- Interziceți coacerea directă din aragazul cu gaz. Vă rugăm să păstrați camera de bucătărie o convecție bună.
- Înainte de a conecta acest aparat, verificați dacă cablul de alimentare nu este deteriorat. Un cablu de alimentare deteriorat trebuie înlocuit numai de personal de service calificat.
- Trebuie să existe aerisirea adecvată a camerei atunci când se utilizează hota pentru aragaz în același timp cu aparatele care ard gaz sau alți combustibili;

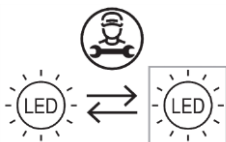
- Aerul nu trebuie eliberat spre coșul utilizat pentru evacuarea gazelor provenite de la aparate care funcționează cu gaz sau alți combustibili;
- Regulamentele privind eliminarea aerului trebuie satisfăcute.

- Copiii trebuie supravegheați pentru a vă asigura că nu se joacă cu aparatul.
- Nu flambați sub hotă.
- Hota nu este destinată a fi instalată peste o plită cu mai mult de patru elemente de plită

- Trebuie să existe o ventilație adecvată a încăperii atunci când hota este utilizată în același timp cu aparatele care ard gaz sau alți combustibili (nu se aplică aparatelor care doar evacuează aerul înapoi în cameră);
- detaliile referitoare la metoda și frecvența de curățare.
- Există riscul de incendiu dacă curățarea nu este efectuată în conformitate cu instrucțiunile;
- nu flambați sub hotă;
- ATENȚIE: Piesele accesibile se pot încălzi în timpul utilizării cu aparatele pentru gătit.

Pericol de electrocutare

- Conectați această unitate numai la o priză împământată corespunzător. Dacă aveți îndoieli, solicitați sfatul unui inginer calificat corespunzător.
- Nerespectarea acestor instrucțiuni poate duce la deces, incendiu sau electrocutare.



Becul folosit în acest produs nu este potrivit pentru iluminarea unei încăperi.

Scopul acestui bec este de a oferi iluminare pentru utilizarea produsului.

Toate lucrările de instalare trebuie efectuate de o persoană competentă sau un electrician calificat. Înainte de a conecta rețeaua de alimentare, asigurați-vă că tensiunea rețelei corespunde tensiunii de pe plăcuța de identificare.

Conexiune directă

Aparatul trebuie conectat direct la rețea folosind un disjuncter omnipolar cu o deschidere minimă de 3 mm între contacte.

Instalatorul trebuie să se asigure că s-a efectuat conexiunea electrică corectă și că este conformă cu regulamentele de siguranță.


Cablul nu trebuie îndoit sau comprimat.

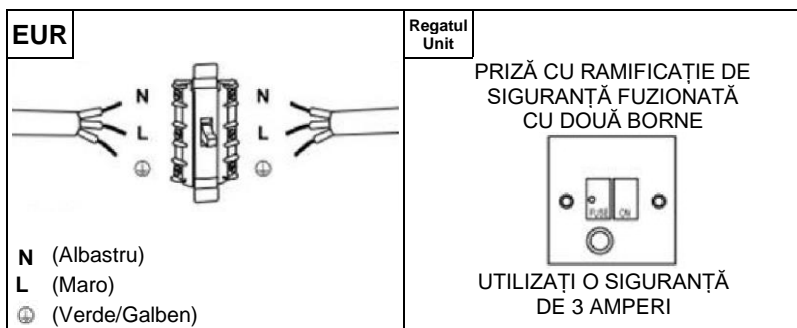
Verificați în mod regulat ștecărul și cablul de alimentare pentru a nu se deteriora. Dacă cablul de alimentare este deteriorat, acesta trebuie înlocuit cu un cablu sau un ansamblu special disponibil de la producător sau de la agentul său de service.

AVERTIZARE: Acesta este un aparat de Clasa I și **TREBUIE** să fie împământat. Acest aparat este furnizat cu un cablu de rețea cu 3 fire colorate după cum urmează:

Maro = L sau Fază

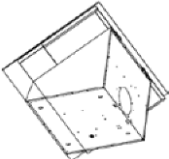










Albastru = N sau Neutru

Verde și galben = E sau Împământare 



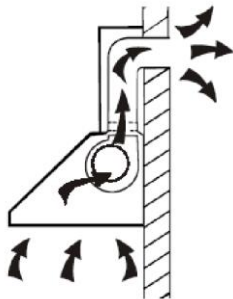
Siguranța trebuie să fie de 3 amperi.

Lista de accesorii standard de instalare

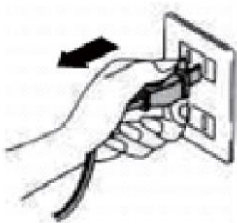
Spec.	Imagine ilustrativă	Cant.
Corpul hotei		1
Coș de fum inferior (500 mm)		1
Coș de fum superior (500 mm)		1
Suport pentru coșul superior		1
Suport pentru coșul inferior		1
Suport hotă		1
dibluri $\varnothing 8 \varnothing 8 \times \varnothing 6$ culoare albă		9
Șurub (ST4 * 30 mm)		9
Șurub (ST4 * 8 mm)		6
Evacuare aer		1
Filtru din carbon		2

INSTALARE (Montare pe perete)

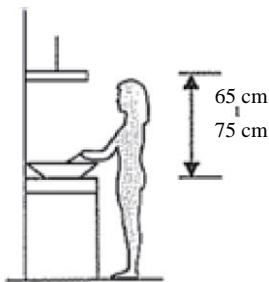
Daca ai o priză în exterior, hota ta poate fi conectată ca în imaginea de mai jos prin intermediul unei conducte de extracție (email, aluminiu, țeavă flexibilă ignifugă cu un diametru interior de 150 mm)



1. Înainte de instalare, opriți unitatea și deconectați-o de la priză.



2. Hota ar trebui să fie plasată la o distanță de 65 ~ 75 cm deasupra planului de gătit pentru un efect optim.

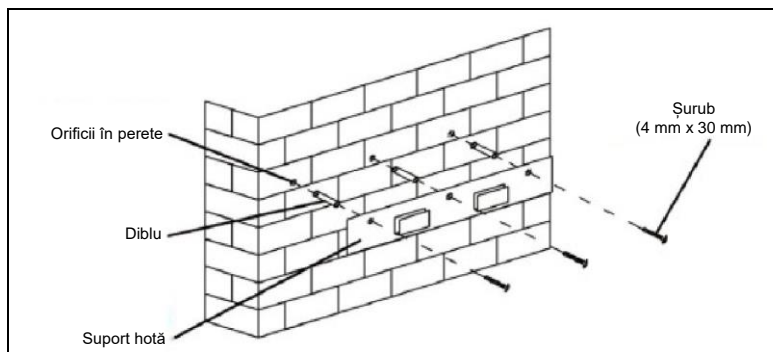


INSTALAREA HOTEI

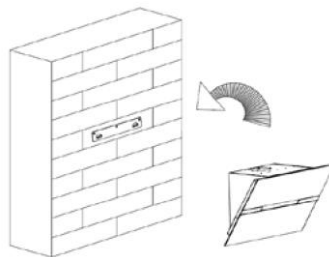
Poziționați hota la înălțimea dorită respectând înălțimea minimă deasupra plitei.

Marcați locația suportului de perete. (Plasați găurile între 700 și 800 mm deasupra blatului). Scoateți hota și poziționați suportul de perete pentru a marca locațiile orificiilor în perete.

Faceți cele 3 orificii în perete pentru a introduce sistemul de prindere corespunzător (șurub ST4x30mm).



Agățați hota în canelurile suportului de perete.

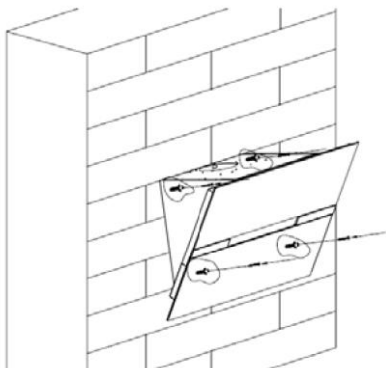


INSTALAREA HOTEI

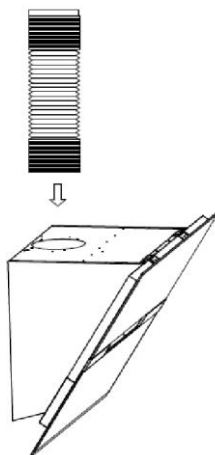
Odată ce hota este fixată pe poziție, localizați locația celor 4 șuruburi suplimentare de montare pe perete, așa cum se arată în diagrama următoare.

Scoateți hota pentru a perfora peretele și instalați diblurile.

Fixați corpul hotei cu 4 șuruburi cu diametrul de 4 mm folosind dibluri adaptați peretelui dumneavoastră.



Dacă este selectat modul de extracție, așezați conducta de evacuare a aerului pe orificiul de evacuare a aerului, așa cum se ilustrează.



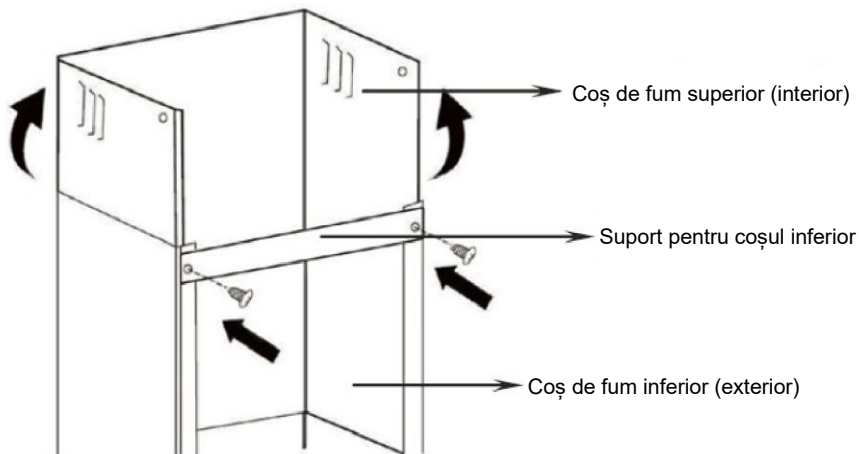
INSTALAREA HOTEI

Atașați suportul inferior pentru coșul de fum la coșul inferior așa cum se ilustrează.

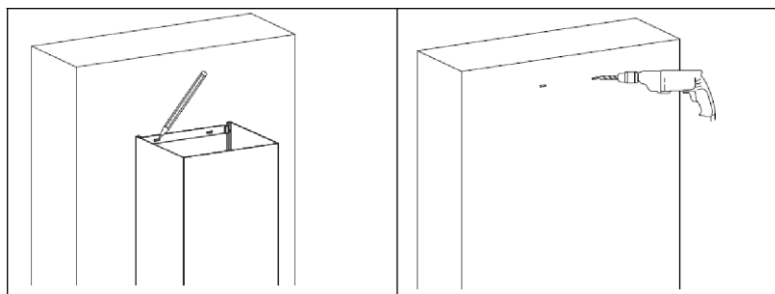
Folosiți 2 șuruburi ST4x8 mm.

(Nu strângeți prea mult șuruburile, asigurați-vă că coșul superior poate glisa cu ușurință în coșul inferior)

Introduceți coșul superior în coșul inferior.



Poziționați coșul inferior în aparat, apoi marcați orificiile pe perete.

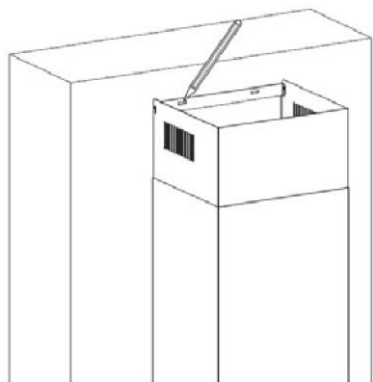
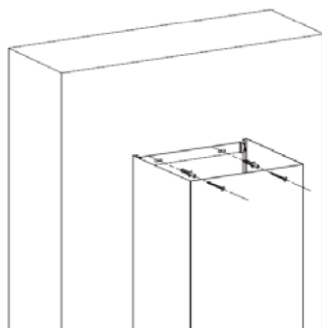


Scoateți coșul inferior, apoi dați orificiile în perete: orificiu pentru șurub diametru $\varnothing 8$ mm

Utilizați diblurile adaptate peretelui dvs.

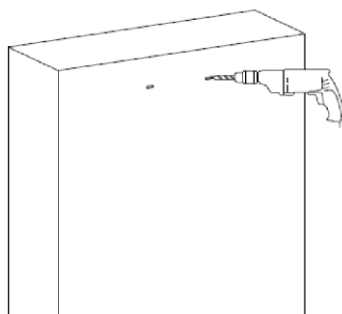
INSTALAREA HOTEI

Montați coșul inferior, apoi înșurubați-l pe perete cu 2 șuruburi cu diametrul ϕ 8 mm



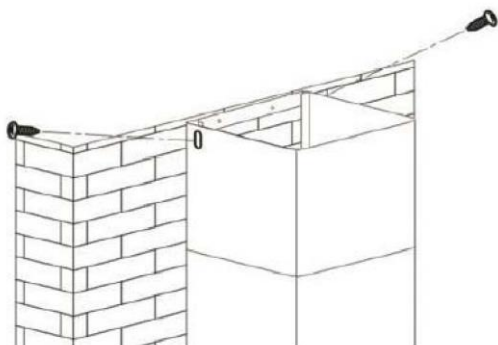
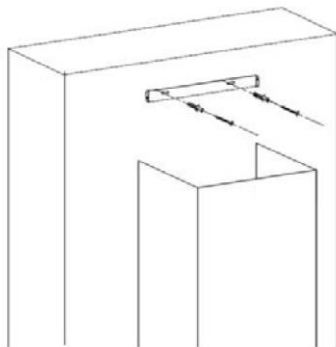
Apoi trageți coșul superior în sus până la înălțimea dorită. Marcați locațiile orificiilor de montare ale suportului superior pentru coș.

Coborâți coșul superior și apoi faceți orificii în perete. Introduceți diblurile adaptate peretelui dvs,



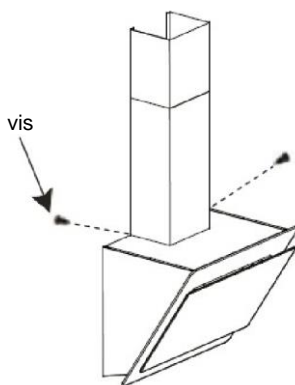
INSTALAREA HOTEI

Fixați suportul de perete al coșului superior de perete folosind diblurile selectate (se recomandă șuruburi de 8 mm).

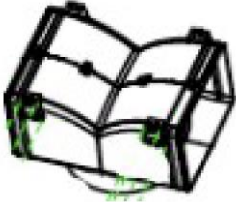






Reasamblați coșul superior și fixați-l pe suportul de perete cu 2 șuruburi ST4x8 mm

Fixați coșul inferior de urechile hotei de bucătărie folosind 2 șuruburi ST4x8mm.



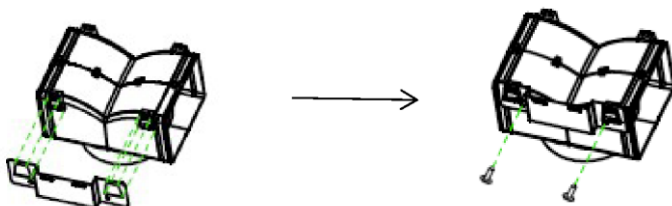
Lista de accesorii standard de instalare

Spec.	Imagine ilustrativă	Cant.
Deflector de aer		1
Suport		1
dibluri de $\phi 8$ $\phi 8 \times \phi 6$ culoare albă		2
Șuruburi ST4.0×30		2
Șuruburi ST3.5×12		2

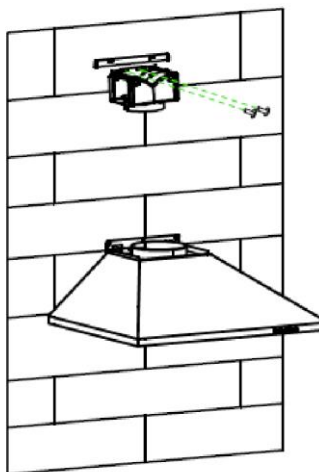
INSTALARE(DEFLECTOR DE AER PENTRU MODELE T-FORM, STICLĂ CURBA, STICLĂ PLATĂ):

Deflectorul de aer este menționat ca fiind inclus și nu este opțional.

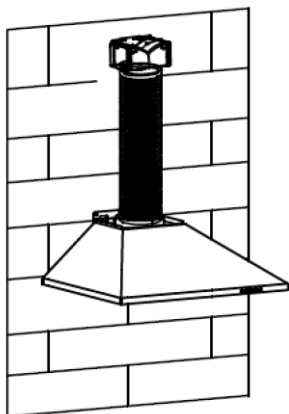
1. Fixați suportul la ieșirea din plastic în formă de T cu șuruburi 2 șuruburi ST3.5x12 mm furnizate după cum se ilustrează mai jos:



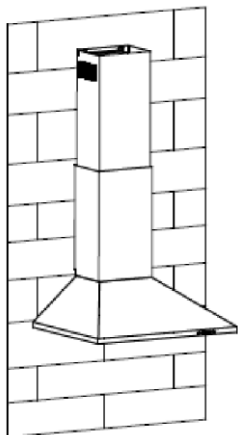
2. Faceți 2 orificii pe perete pentru a fixa diblurile, apoi înșurubați și strângeți suportul pe perete cu 2 șuruburi ST4x30 mm furnizate.



3. Atașați țeava de evacuare pe orificiul de evacuare a aerului de la hotă, așa cum se arată mai jos:



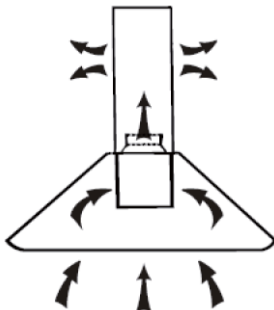
4. Instalați coșul de fum pe unitate și fixați-l.



- „Vă rugăm să rețineți: priza de plastic în formă de T și aripioarele în V nu pot fi folosite în același timp. Le puteți folosi în două moduri: 1) Adăugați aripioara în V pe priza existentă; 2) Folosiți o ieșire din plastic în formă de T, fără a adăuga aripioara în V.”
- „Notă: Produsul este prevăzut cu un accesoriu aripioară în V. Acest accesoriu nu este obligatoriu pentru instalarea, operarea și utilizarea produsului.”

INSTALARE (VENTILATIE ÎN INTERIOR)

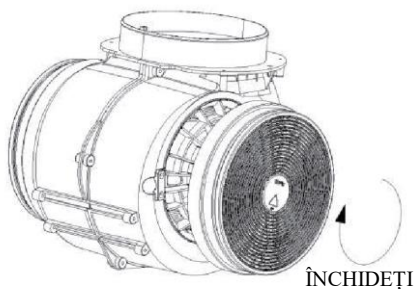
Dacă nu aveți o evacuare în exterior, nu este necesară țeava de evacuare, iar instalarea este similară cu cea prezentată în secțiunea „INSTALARE (VENTILAȚIE ÎN EXTERIOR)”.



Filtrul de carbon activ poate fi utilizat pentru a capta mirosurile. Pentru a instala filtrul de carbon activ, mai întâi trebuie detașat filtrul de grăsime. Apăsați încuietoarea și trageți-o în jos.



Conectați filtrul de carbon activ în unitate și rotiți-l în sens orar. Repetați același lucru pe cealaltă parte.



NOTĂ:

- *Asigurați-vă că filtrul este fixat. În caz contrar, acesta se va slăbi și va provoca pericole.*
- *La activarea filtrului de carbon atașat, puterea de aspirație va fi scăzută.*

DESCRIEREA COMPONENTELOR

1

2

3

B



FUNCTIONARE

MODUL DE AȘTEPTARE.

După conectare, întregul sistem de iluminare, sistemul intră în **MODUL AȘTEPTARE.**

1

Buton de viteză mică

Este folosit pentru ventilarea bucătăriei. Este potrivit pentru fierbere și gătit care nu fac prea mult abur.

2

Buton de viteză medie

Viteza fluxului de aer este ideală pentru ventilație în operațiunea standard de gătit.

3

Buton de mare viteză

Când se produce o densitate mare de fum sau abur, apăsați butonul de mare viteză pentru o ventilație eficientă.

B

Funcție de accelerare

Aceasta hotă are funcție de accelerare. Pentru a activa accelerarea, apăsați B la viteza 4, accesați cea mai mare viteză în timp ce hota este în uz și va crește viteza timp de 5 minute, înainte de a încetini din nou.



Lumină

Apăsați scurt pentru aprinderea și oprirea luminii

Cronometru rapid: Apăsați lung butonul de lumină timp de 3 secunde, butoanele de viteză a ventilatorului vor clipi și vor începe numărătoarea inversă de 5 minute, după 5 minute, motorul și lumina se vor opri automat cu trei sunete.

ÎNTREȚINEREA

Înainte de curățare, opriți unitatea și scoateți ștecărul.

I. Curățare regulată

Utilizați o lavetă moale umezită cu apă caldă ușor săpun sau detergent de uz casnic. Nu utilizați niciodată tamponi metalice, substanțe chimice, materiale abrazive sau perii rigide pentru a curăța unitatea.

II. Curățare lunară pentru filtrul de grăsime

ESENȚIAL: Curățarea filtrului în fiecare lună poate preveni orice risc de incendiu.

Filtrul colectează grăsimea, fumul și praful... așa că filtrul afectează direct eficiența hotei. Dacă nu este curățat, reziduurile de grăsime (potențial inflamabile) vor satura filtrul. Curățați-l cu detergent de curățare de uz casnic.

III. Curățare anuală pentru filtrul de carbon activ

Aplicați EXCLUSIV pe unitatea instalată ca unitate de recirculare (neventilată în exterior). Acest filtru captează mirosurile și trebuie înlocuit cel puțin o dată pe an, în funcție de cât de des este folosită hota.

IV. Schimbarea unui bec

Scoateți șuruburile de pe sticlă, scoateți sticla hotei. Găsiți becul care necesită înlocuire, îl veți găsi situat în corpul de iluminat care se află în interiorul secțiunii expuse a acoperișului.



Deconectați punctul de cablare al luminii și scoateți suporturile becurilor și cablurile de pe hotă. Important: Nu este posibil să înlocuiți becurile individual; va trebui să obțineți becurile, duliile becurilor și cablajul ca un ansamblu. (Indicator luminos LED: MAX 1,5 W)

Montați becurile de schimb, duliile becurilor și cablurile în același mod ca și cele originale. Apoi reconectați punctul de cablare al luminii.

Remontați geamul hoteli și fixați șuruburile de sticlă. Asigurați-vă că șuruburile sunt strânse complet.

DEPANARE

Eroare	Cauză	Soluție
Lumina aprinsă, dar ventilatorul nu funcționează	Paleta ventilatorului este blocată.	Opriti unitatea și reparați numai cu ajutorul personalului de service calificat.
	Motorul este deteriorat.	
Atât lumina, cât și ventilatorul nu funcționează	Becul cu halogen s-a ars.	Înlocuiți becul cu unul cu valoarea nominală corectă.
	Cablul de alimentare se slăbește.	Conectați din nou sursa de alimentare.
Vibrații serioase ale unității	Paleta ventilatorului este deteriorată.	Comutați unitatea și reparați numai cu ajutorul personalului de service calificat.
	Motorul ventilatorului nu este fixat strâns.	Opriti unitatea și reparați numai cu ajutorul personalului de service calificat.
	Unitatea nu este agățată corect de suport.	Dați jos unitatea și verificați dacă suportul este în locația corectă.
Performanța de aspirare nu este bună	Distanță prea mare între unitate și planul de gătit	Reajustați distanța la 65-75 cm

SERVICIUL DE ASISTENȚĂ CLIENTI

Dacă nu puteți identifica cauza anomaliilor de funcționare, opriti aparatul și contactați Serviciul de Asistență.

NUMĂR DE SERIE AL PRODUSULUI. Unde îl pot găsi?

Este important să informați Serviciul de Asistență despre codul produsului și numărul de serie al acestuia (un cod de 16 caractere care începe cu numărul 3); aceasta se găsește pe certificatul de garanție sau pe plăcuța cu date situată pe aparat.

Aceasta va ajuta la evitarea călătoriilor irosite la tehnicieni, economisind astfel (și cel mai semnificativ) costurile de apelare corespunzătoare.

Acest aparat este marcat conform directivei europene 2012/19/UE privind Deșeurile de echipamente electrice și electronice (DEEE).



DEEE conține ambele substanțe poluante (care pot avea consecințe negative pentru mediu) și elementele de bază (care pot fi reutilizate). Este

important ca DEEE să fie supusă la tratamente specifice, pentru a îndepărta și elimina corect toți agenții poluanți și a recupera toate materialele reciclabile.

Persoanele pot juca un rol important în a asigura că DEEE nu devin o problemă de mediu: este vital să urmați unele dintre regulile de bază:

DEEE nu trebuie tratate drept reziduu casnic;

DEEE trebuie predate la punctele de colectare relevante administrate de municipalitate sau de către companii înregistrate. În multe țări, pentru DEEE mari, trebuie să existe colectarea de acasă.

În multe țări, atunci când cumpărați aparate mari, cel vechi poate fi returnat la distribuitorul care îl va colecta gratuit câte unul, atât timp cât echipamentul este de tip echivalent și are aceleași funcții ca și echipamentul furnizat.

KURULUM VE KULLANIM KILAVUZU

İÇİNDEKİLER

GİRİŞ	250
GÜVENLİK ÖNLEMİ	250
ELEKTRİK TESİSATI	252
TEKNİK ÖZELLİKLER	253
KURULUM (DIŞ HAVALANDIRMA)	254
KURULUM (İÇ HAVALANDIRMA)	263
PARÇALARIN TANITIMI	264
ÇALIŞTIRMA	264
BAKIM	265
SORUN GİDERME	266
YÖNERGELERE UYUM	266
ÇEVREYİ KORUMA	267

GİRİŞ

Bu davlumbazı seçtiğiniz için teşekkür ederiz.

Bu kullanım kılavuzu, size cihazın kurulumu, kullanımı ve bakımı ile ilgili tüm gerekli talimatları sağlamak için tasarlanmıştır.

Üniteyi doğru ve güvenli bir şekilde çalıştırmak için lütfen kurulum ve kullanımdan önce bu kullanım kılavuzunu dikkatlice okuyun.

Davlumbaz yüksek kaliteli malzemelerden üretilmiştir ve modern bir tasarıma sahiptir. Büyük güçlü elektrik motoru ve santrifüj fan ile donatılmış olmanın yanı sıra, güçlü emiş gücü, düşük ses ile çalışma, yapışmaz yağ filtresi ve kolay montaj olanağı sunar.

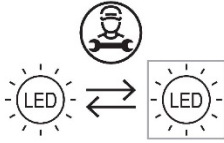
GÜVENLİK ÖNLEMİ

- Çocukların makineyi kullanmasına kesinlikle izin vermeyin.
- Davlumbaz sadece evde kullanım içindir, mangal ve et restoranları ve diğer ticari amaçlar için uygun değildir.
- Davlumbaz ve filtresi, iyi çalışır durumda kalması için düzenli olarak temizlenmelidir.
- Davlumbazı kullanım kılavuzuna göre temizleyin ve cihazı yanma tehlikesine karşı koruyun.
- Gazlı ocakta fırın işlerinin yapılmasını önleyin. Lütfen mutfağın ısı yayılımının iyi olmasını sağlayın.
- Bu cihazı başlamadan önce güç kaynağı kablosunun hasarlı olup olmadığını kontrol edin. Hasarlı bir besleme kablosu yalnızca kalifiye servis personeli tarafından değiştirilmelidir.
- Davlumbaz, gaz veya diğer yakıtları kullanan cihazlarla aynı anda kullanıldığında, odadaki havalandırma yeterli olmalıdır;
- Hava, gaz ya da başka yakıtlar kullanan cihazlardan çıkan dumanı boşaltmak için kullanılan bir baca borusuna tahliye edilmemelidir.
- Hava tahliyesine ilişkin düzenlemelere uyulmalıdır.
- Çocuklar, cihazla oynamadıklarından emin olmak için gözetim altında tutulmalıdır.
- Davlumbazın altında yemekleri alevlendirerek pişirmeyin.
- Davlumbaz, dörtten fazla ocak elemanı bulunan bir ocak üzerine kurulmak üzere tasarlanmamıştır.

- Davlumbaz, gaz veya diğerk yakıtları yakan cihazlarla aynı anda kullanıldığında, odadaki havalandırma yeterli olmalıdır (sadece havayı odaya geri veren cihazlar için geçerli değildir);
- temizleme yöntemi ve sıklığı ile ilgili ayrıntılar.
- talimatlara uygun temizlik yapılmazsa yangın riski mevcuttur;
- davlumbazın altında alev neden olmayın;
- DİKKAT: Erişilebilir parçalar, pişirme cihazlarıyla birlikte kullanıldıklarında ısınabilir.

Elektrik Çarpması Tehlikesi

- Bu üniteyi yalnızca uygun şekilde topraklanmış bir prize takın. Şüphenez varsa, uygun vasıflara sahip bir mühendisten tavsiye alın.
- Bu talimatlara uyulmaması ölüme, yangına veya elektrik çarpmasına neden olabilir.



Bu üründe kullanılan lamba bir odanın aydınlatılmasında kullanıma uygun değildir.

Bu lambanın amacı, ürünün kullanımı için aydınlatma sağlamaktır.

Tüm kurulum, yetkili bir kişi veya kalifiye bir elektrikçi tarafından yapılmalıdır. Şebeke beslemesini bağlamadan önce, şebeke geriliminin anma değeri plakasındaki gerilimle aynı olduğundan emin olun.

Doğrudan Bağlantı

Cihaz, kontaklar arasında minimum 3 mm açıklığa sahip çok kutuplu bir devre kesici kullanılarak doğrudan şebekeye bağlanmalıdır.

Montajı yapan kişi, doğru elektrik bağlantısının yapıldığından ve bağlantı şemasına uygun olduğundan emin olmalıdır.

Kablo bükülmemeli veya sıkıştırılmamalıdır.

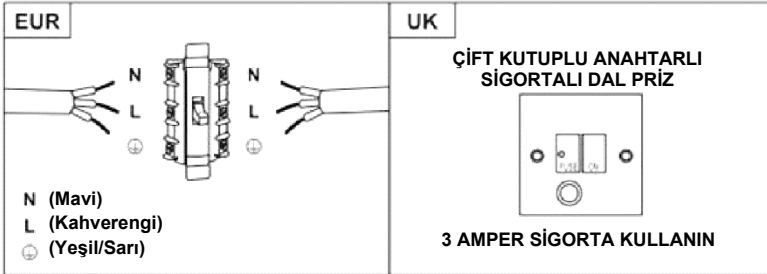
Elektrik fişini ve elektrik kablosunu hasara karşı düzenli olarak kontrol edin. Besleme kablosu hasarlıysa, üretici veya servis acentesinden temin edilebilen özel bir kablo veya tertibat ile değiştirilmelidir.

UYARI: Bu bir Sınıf I tipi cihazdır ve TOPRAKLANMALIDIR, bu cihaz aşağıdaki renklere sahip 3 damarlı bir şebeke kablosu ile birlikte verilmektedir:

Kahverengi = L veya Yüklü

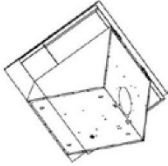

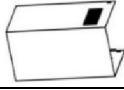








Mavi = N veya Nötr

Yeşil ve Sarı = E veya Topraklama (⏚)



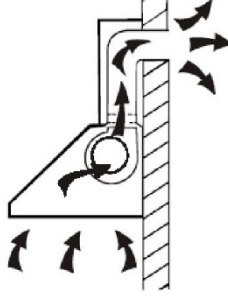
Sigorta 3 Amper değerinde olmalıdır.

Standart Kurulum Aksesuarları Listesi

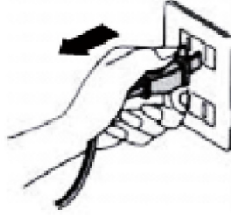
Teknik Özellik	İllüstrasyon Resim	Adet
Davlumbaz gövdesi		1
Alt baca (500mm)		1
Üst baca (500mm)		1
Üst baca braketi		1
Alt baca braketi		1
Davlumbaz braketi		1
Ø8 dübel Ø8xØ6 beyaz renk		9
Vida (ST4 * 30 mm)		9
Vida (ST4 * 8 mm)		6
Hava çıkışı		1
Karbon filtre		2

KURULUM (duvara montaj)

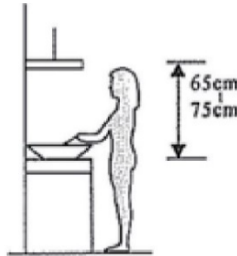
Dışarıya bir çıkışınız varsa davlumbazınız bir çekme hava kanalı (iç çapı 150 mm olan emaye, alüminyum, alev almaz esnek boru) vasıtasıyla aşağıdaki resimdeki gibi bağlanabilir



1. Kurulmadan önce üniteyi kapatın ve fişini prizden çekin.



2. Davlumbaz, en iyi etki için pişirme düzleminin 65~75 cm yukarısına yerleştirilmelidir.

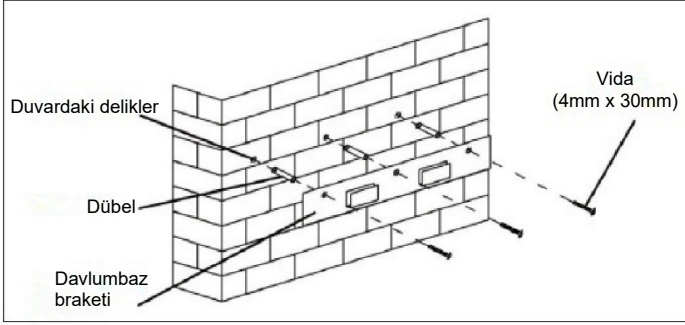


DAVLUMBAZIN TAKILMASI

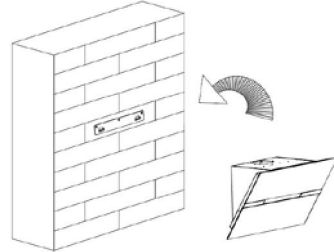
Davlumbazı, ocağın üzerinde minimum yüksekliği gözeterek istediğiniz yükseklikte konumlandırın.

Duvar braketinin yerini işaretleyin. (Delikleri tezgahın 700 ve 800 mm yukarısına yerleştirin) Davlumbazı çıkarın ve duvardaki deliklerin yerlerini işaretlemek için duvar braketini yerleştirin.

Uygun sabitleme sistemini yerleştirmek için duvara 3 delik açın (vida ST4x30mm).



Davlumbazı duvar braketinin çentiklerine asın.

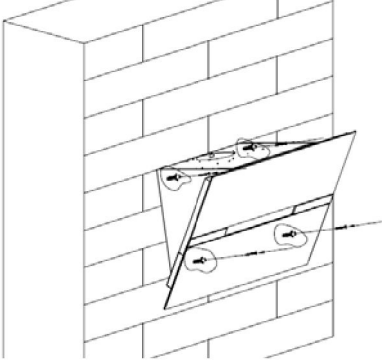


DAVLUMBAZIN TAKILMASI

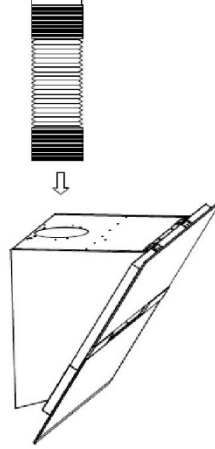
Davlumbaz yerine oturduğunda, aşağıdaki şemada gösterildiği gibi 4 ilave duvara montaj vidasının yerini belirleyin.

Duvarı delmek için davlumbazı çıkarın ve dübelleri takın.

Davlumbaz gövdesini duvarınıza uygun dübellere kullanarak 4 mm çapında 4 adet vida ile sabitleyin.



Tahliye modu seçilirse, tahliye hava kanalını gösterildiği gibi hava çıkışına yerleştirin.



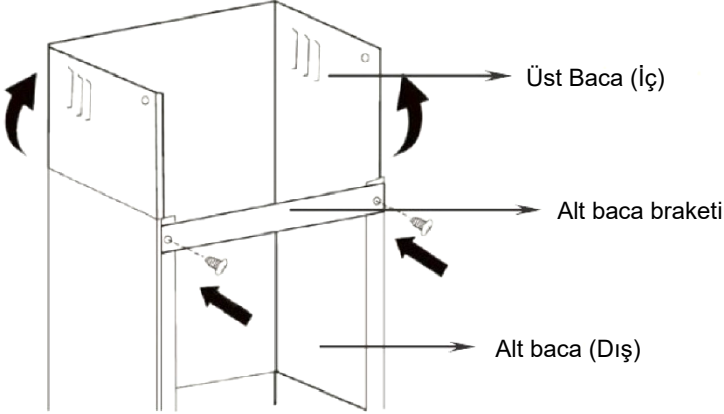
DAVLUMBAZIN TAKILMASI

Alt baca desteğini gösterildiği gibi alt bacaya takın.

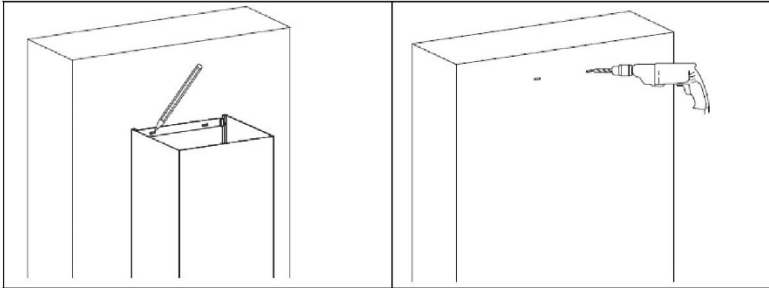
2 vida ST4x8mm kullanın.

(Vidaları fazla sıkmayın, üst bacanın alt bacanın içersine kolayca kayabileceğinden emin olun)

Üst bacayı alt bacaya yerleştirin.



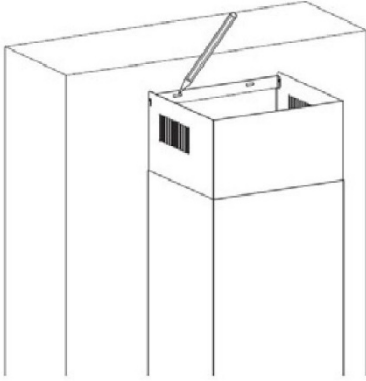
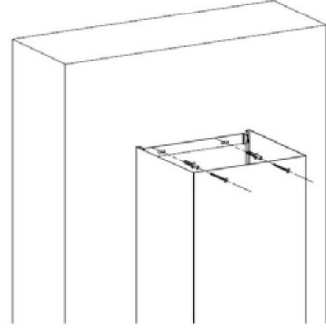
Alt bacayı cihaza yerleştirin, sonra duvardaki delikleri işaretleyin.



Alt bacayı çıkarın, daha sonra duvara delikler açın: Ø 8 mm vida çapı için delik
Duvarınıza uygun dübelleri kullanın

DAVLUMBAZIN TAKILMASI

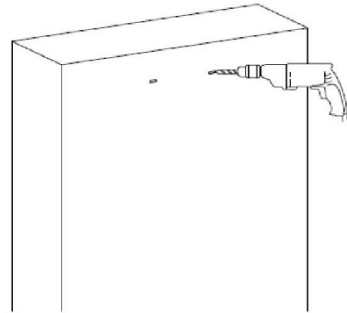
Alt bacayı monte edin, sonra Ø8 mm çapında 2 vida ile duvara vidalayın



Ardından üst bacayı yukarıya doğru istediğiniz yüksekliğe çekin.
Üst baca desteğinin montaj deliklerinin yerlerini işaretleyin.

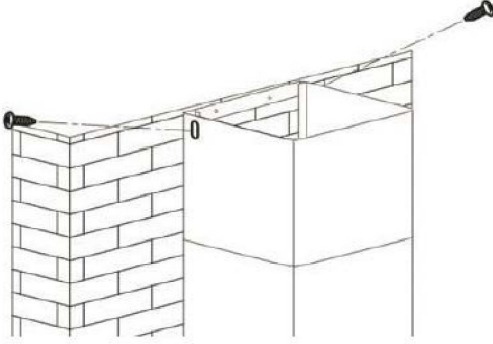
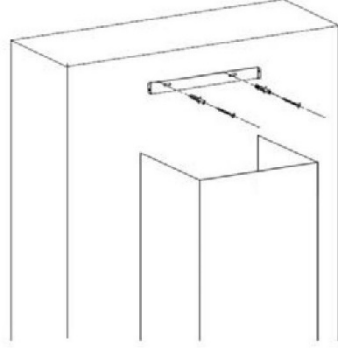
Üst bacayı indirin ve sonra duvara delikler açın.

Duvarınıza uygun dübelleri yerleştirin



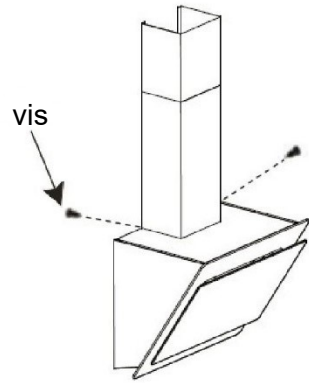
DAVLUMBAZIN TAKILMASI

Üst baca duvar braketini seçilen dübellerle (8 mm vida önerilir) duvara sabitleyin.

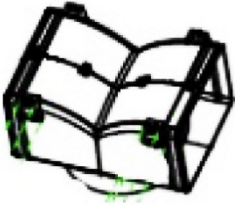






Üst bacadı tekrar monte edin ve 2 adet ST4x8mm vida ile duvar braketine sabitleyin.

Alt bacadı davlumbaz pabuçlarına 2 adet ST4x8mm vida ile sabitleyiniz.



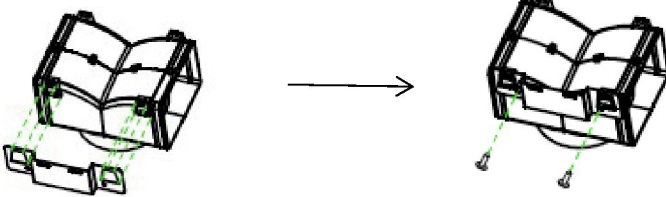
Standart Kurulum Aksesuarları Listesi

Teknik Özellik	İllüstrasyon Resim	Adet
Hava Deflektörü		1
Braket		1
Ø8 dübel Ø8×Ø6 beyaz renk		2
Vida ST4.0×30		2
Vida ST3.5×12		2

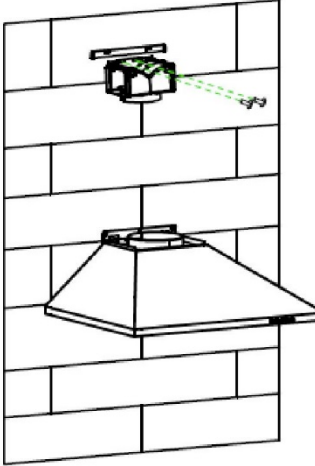
KURULUM (T-SHAPE, KAVİSLİ CAM, DÜZ CAM MODELLERİ İÇİN HAVA DEFLEKTÖRÜ):

Hava deflektörü isteğe bağlı değil, birlikte verilen olarak belirtilmiştir.

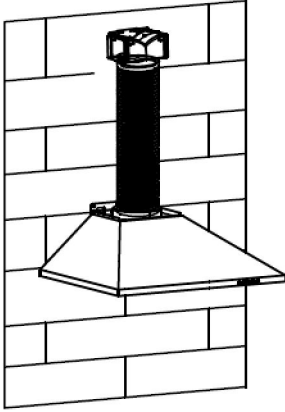
1. Braketi, aşağıda gösterildiği gibi sağlanan 2 adet ST3,5x12mm vida ile T şeklindeki plastik çıkışa sabitleyin.



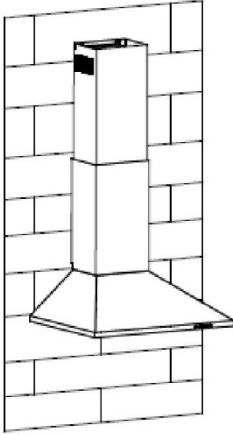
2. Dübelleri yerleştirmek için duvara 2 delik açın, sonra braketi verilen 2 adet ST4x30mm vidayla duvara vidalayın ve sıkın.



3. Tahliye borusunu aşağıda gösterildiği gibi davlumbazın hava çıkışına takın:



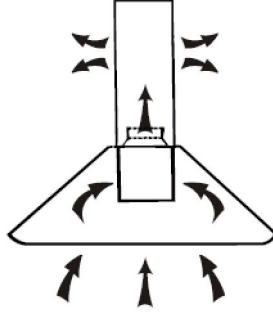
4. Bacayı üniteye takın ve sabitleyin.



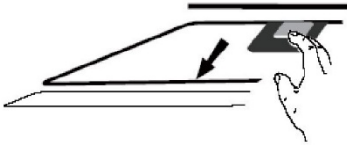
- “Lütfen dikkat: T şeklindeki plastik çıkış ve v kanatçıklar aynı anda kullanılamaz. Bunları iki şekilde kullanabilirsiniz:
1) Mevcut çıkışa v-kanatçıđı ekleyin;
2) T şeklinde plastik çıkış kullanın, v-kanatçıđı eklemeyin.”
- “Not: Ürün v-kanatçık aksesuarı ile birlikte verilmektedir. Bu aksesuar ürünün kurulumu, çalıştırılması ve kullanımı için zorunlu değildir.”

KURULUM (İÇ HAVALANDIRMA)

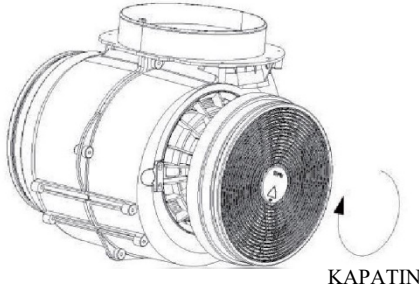
Dışarı bir çıkışınız yoksa, tahliye borusu gerekli değildir ve kurulum “KURULUM (DIŞ HAVALANDIRMA)” bölümünde gösterilene benzer.



Kokuları hapsetmek için aktif karbon filtre kullanılabilir. Aktif karbon filtreyi takmak için önce yağ filtresinin sökülmesi gerekir. Kiledi bastırın ve aşağı doğru çekin.



Aktif karbon filtreyi üniteye takın ve saat yönünde çevirin. Diğer tarafta da aynısını tekrarlayın.



NOT:

- *Filtrenin güvenli bir şekilde kilitlendiğinden emin olun. Aksi takdirde gevşer ve tehlikeli hale gelir.*
- *Aktif karbon filtre takıldığında emiş gücü düşecektir*

PARÇALARIN TANITIMI

1

2

3

B



ÇALIŞTIRMA

BEKLEME MODU.

Fişi taktıktan sonra, tüm aydınlatma, sistem **BEKLEME MODUNDA**.

1 Düşük Hız düğmesi

Mutfakta Havalandırma için kullanılır. Fazla buhar yapmayan haşlama ve pişirme işlemleri için uygundur.

2 Orta Hız düğmesi

Hava akış hızı, standart pişirme işleminde havalandırma için idealdir.

3 Yüksek Hız düğmesi

Yüksek yoğunlukta duman veya buhar oluştuğunda, yüksek etkili havalandırma için yüksek hız düğmesine basın.

B Güçlü Çalışma İşlevi

Bu davlumbazda bir güçlü çalışma işlevi bulunmaktadır. Güçlendiriciyi etkinleştirmek için, davlumbaz kullanımdayken hız 4'e ulaşmak için **B** düğmesine basın; davlumbaz tekrar yavaşlamadan önce 5 dakika boyunca hızı arttıracaktır.



İşık
Aydınlatmayı açıp kapatmak için kısa süreyle basın

Hızlı zamanlayıcı: İşık düğmesini 3 saniye basılı tutun, fan hızı düğmeleri yanıp sönecek ve 5 dakika geri sayım yapacaktır, 5 dakika sonra motor ve işık üç Uyarı sesiyle otomatik olarak kapatılacaktır.

BAKIM

Temizlemeden önce cihazı kapatın ve fişini çekin.

I. Düzenli Temizlik

Elinizin dayanabileceği sıcaklıkta, ılık hafif sabunlu su veya ev temizlik deterjanı ile nemlendirilmiş yumuşak bir bez kullanın. Üniteyi temizlemek için asla metal tel sünger, kimyasal, aşındırıcı malzeme veya sert fırçalar kullanmayın.

II. Aylık Yağ Filtresi Temizliği

GEREKLİ: Filtreyi her ay temizlemek yangın riskini önleyebilir.

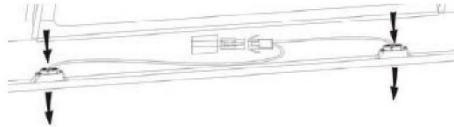
Filtre yağ, duman ve tozu toplarbu nedenle filtre, davlumbazın verimini doğrudan etkiler. Temizlenmediği takdirde, yağ kalıntısı (potansiyel yanıcı) filtrenin üzerini dolduracaktır. Bu parçayı ev temizlik deterjanı ile temizleyin.

III. Aktif Karbon Filtre için Yıllık Temizlik

YALNIZCA resirkülasyon ünitesi olarak kurulan üniteye uygulayın (açık havaya tahliye olmadığında). Bu filtre kokuları hapseder ve davlumbazın ne sıklıkta kullanıldığına bağlı olarak yılda en az bir kez değiştirilmelidir.

IV. Ampul değiştirme

Camdaki vidaları sökün, davlumbaz camını çıkarın. Değiştirilmesi gereken ampulü bulun, bu ampul, cam bölmesinin açıkta kalan kısmındaki aydınlatma armatüründe bulunur.



Işık kablolama noktasını ayırın, ampul duylarını ve kabloları davlumbazdan çıkarın. Önemli: Ampulleri tek tek değiştirmek mümkün değildir, ampulleri, duyları ve kabloları komple bir parça olarak temin etmek gerekecektir. (LED ışığı: MAKS 1.5W)

Yedek ampulleri, ampul duylarını ve kabloları orijinaleri ile aynı şekilde takın. Ardından ışık kablolama noktasını yeniden bağlayın.

Davlumbaz camını tekrar takın ve cam vidalarını sıkın.
Vidaların tam sıkıldığından emin olun.

SORUN GİDERME

Arıza	Neden	Çözüm
Işık açık, ancak fan çalışmıyor	Fan kanadı sıkışmıştır.	Üniteyi kapatın ve yalnızca yetkili servis personeli tarafından onarılmasını sağlayın.
	Motor hasarlıdır.	
Hem ışık hem de fan çalışmıyor	Halojen ampulü yanmıştır.	Ampulü doğru derecelendirmede ampulle değiştirin.
	Güç kablosu gevşektir.	Güç kaynağına tekrar takın.
Yüksek Düzeyde Ünite Titreşimi	Fan kanadı hasarlıdır.	Üniteyi kapatın ve yalnızca yetkili servis personeli tarafından onarılmasını sağlayın.
	Fan motoru sıkıca sabitlenmemiştir.	Üniteyi kapatın ve yalnızca yetkili servis personeli tarafından onarılmasını sağlayın.
	Ünite brakete düzgün şekilde asılmamıştır.	Üniteyi indirin ve braketin doğru yerde olup olmadığını kontrol edin.
Emiş performansı iyi değil	Ünite ve pişirme düzlemi arasındaki mesafe çok fazladır	Mesafeyi 65-75cm olarak yeniden ayarlayın

MÜŞTERİ DESTEK HİZMETİ

Çalışma anormalliğinin nedenini belirleyemiyorsanız, cihazı kapatın ve Destek Hizmeti ile iletişime geçin.

ÜRÜN SERİ NUMARASI. Bunu nereden bulabilirim?

Ürün kodunuz ve seri numarası (3 ile başlayan 16 karakterlik bir kod) ile Yardım Servisine bilgi vermeniz önemlidir; bu bilgiler, garanti belgesinde veya cihazın üzerindeki ürün bilgi etiketinde bulunmaktadır.

Bu, teknisyenlerin boşu boşuna gidip gelmesinin önlenmesine yardımcı olacak ve böylece (ve en önemlisi) ilgili servis çağırma ücretlerinden tasarruf etmenizi sağlayacaktır.

Bu cihaz, Elektrikli ve Elektronik Atık Ekipman (WEEE) ile ilgili 2012/19/AB sayılı Avrupa direktifine göre işaretlenmiştir.



WEEE hem kirleticiler (çevre için olumsuz sonuçlara neden olabilen) hem de temel bileşenleri (yeniden kullanılabilen) içerir. Tüm kirleticileri uygun

şekilde uzaklaştırmak ve bertaraf etmek, tüm malzemeleri geri kazanmak ve geri dönüştürmek için WEEE'nin belirli işlemlere tabi tutulması önemlidir.

Bireyler, WEEE'nin bir çevre sorunu haline gelmemesini sağlamada önemli bir rol oynayabilir; birkaç temel kurala uyulması önemlidir:

WEEE evsel atık olarak muamele görmemelidir;

WEEE, belediye veya tescilli şirketler tarafından yönetilen ilgili toplama noktalarına teslim edilmelidir. Birçok ülkede, büyük WEEE'ler için evden alma hizmeti mevcut olabilir.

Birçok ülkede, yeni bir cihaz satın aldığınızda, eski cihaz, ekipmanın eşdeğer tipte olması ve sağlanan ekipmanla aynı işleve sahip olması koşuluyla, bire bir esasında ücretsiz olarak bu cihazı alması gereken satıcıya iade edilebilir.