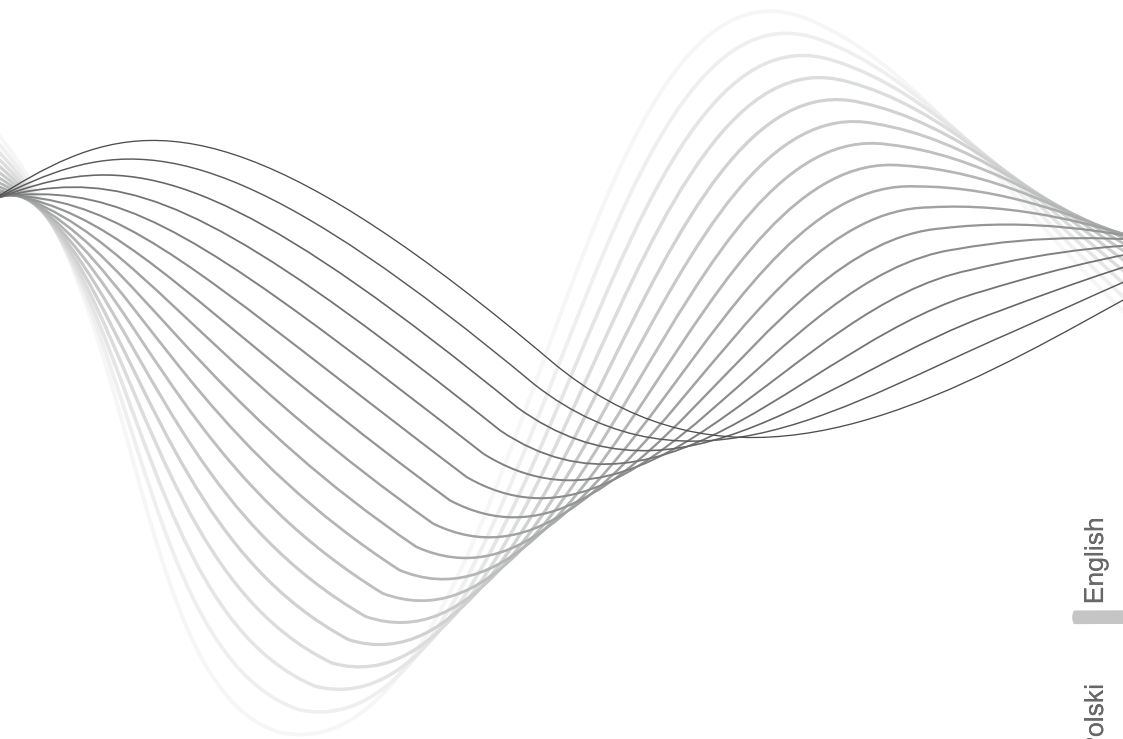


# Krüger&Matz

BOOMBOX WITH CD, SD, USB

KM3902



Owner's Manual  
Instrukcja Obsługi  
Instructiuni De Utilizare  
Bedienungsanleitung

English

Polski

Română

Deutsch





The lightning flash and arrowhead within the triangle is a warning sign alerting you of "dangerous voltage" inside the product.

**CAUTION**  
RISK OF ELECTRIC SHOCK  
DO NOT OPEN

**WARNING:** To reduce the risk of electric shock, do not remove cover (or back). No user - serviceable parts inside. Refer servicing to qualified service personnel.



The exclamation point within the triangle is a warning sign alerting you of important instructions accompanying the product.

**WARNING:** TO REDUCE THE RISK OF FIRE OR ELECTRIC SHOCK, DO NOT EXPOSE THIS APPLIANCE TO DRIPPING OR SPLASHING LIQUIDS.

THE MAINS PLUG IS USED AS THE DISCONNECT DEVICE AND IT SHALL REMAIN READILY OPERABLE. TO COMPLETELY DISCONNECT THE POWER INPUT, THE MAINS PLUG OF THE APPARATUS MUST BE DISCONNECTED FROM THE MAINS COMPLETELY. THE MAINS PLUG SHOULD NOT BE OBSTRUCTED OR SHOULD BE EASILY ACCESSED DURING INTENDED USE.

**PLEASE NOTE:** YOU WILL FIND THE RATING LABEL FOR THIS PRODUCT LOCATED ON THE REAR OF THE UNIT.



**CAUTION**  
DO NOT EXPOSE TO DRIPPING OR SPLASHING LIQUIDS!

**CAUTION:** GROUNDING OR POLARIZATION. THE PRECAUTIONS SHOULD BE TAKEN SO THAT THE WIDER BLADE OF THE AC PLUG MUST MATCH THE SLOT IN RECEPTACLE "WALL SOCKET".

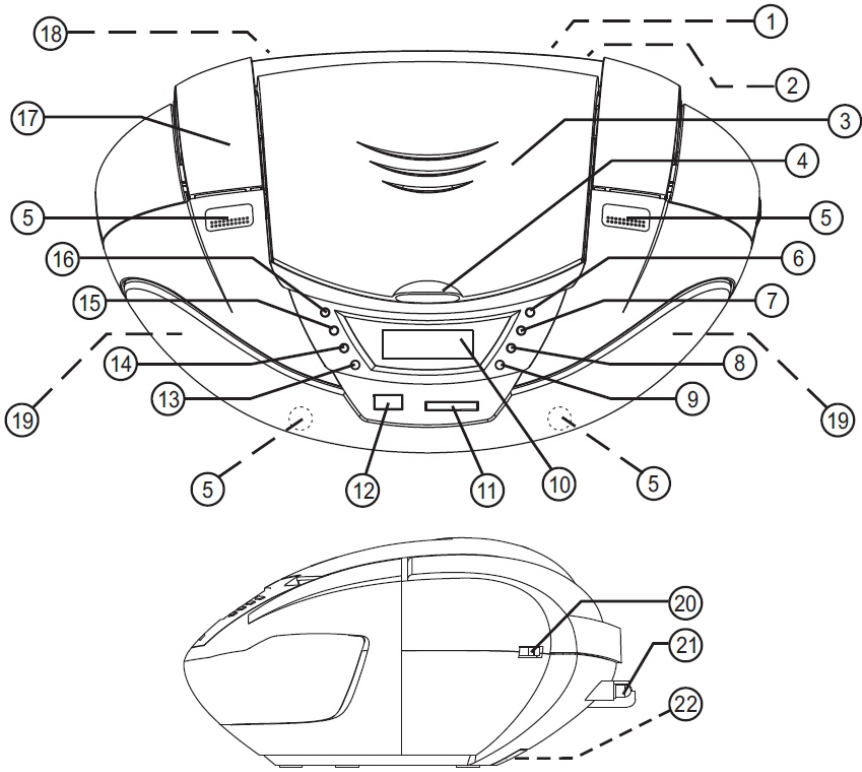
**NOTE:** CAUTION SYMBOLS ARE PRINTED ON THE REAR OF UNIT. PLEASE REFER TO INSTRUCTION MANUAL.

**CAUTION:** INVISIBLE LASER RADIATION WHEN OPEN AND INTERLOCKS DEFEATED. AVOID EXPOSURE TO BEAM.



CLASS 1 LASER PRODUCT

LOCATION OF CONTROLS



- 1. HEADPHONE (EARPHONE) SOCKET (REAR OF UNIT)
- 2. AUX INPUT SOCKET (REAR OF UNIT)
- 3. CD DOOR
- 4. CD DOOR FINGER GRIP
- 5. TWEETER SPEAKERS x 4
- 6. PLAY/ PAUSE/ FM MODE KEY
- 7. STOP/ MEM./ PROG./ CLOCK SET KEY
- 8. VOLUME UP KEY
- 9. VOLUME DOWN KEY
- 10. LCD DIGITAL DISPLAY
- 11. SD CARD SOCKET
- 12. USB DRIVE SOCKET

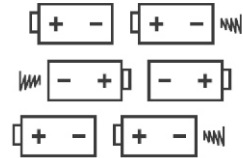
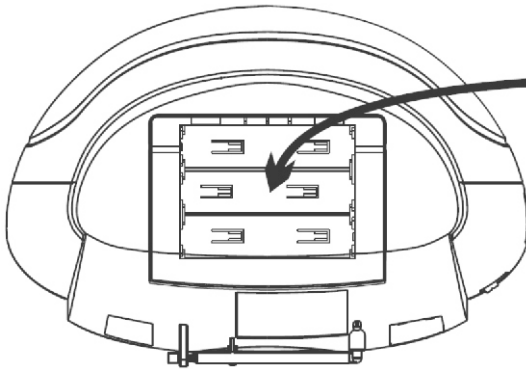
- 13. REPEAT/ RANDOM/ MEM. UP KEY
- 14. BACK/ TUNE - KEY
- 15. NEXT/ TUNE + KEY
- 16. ON/ STANDBY/ FUNCTION KEY
- 17. HANDLE
- 18. AC SOCKET (REAR OF UNIT)
- 19. MAIN SPEAKERS (LEFT & RIGHT)
- 20. BATTERY SAVER (ON/ OFF) SWITCH
- 21. TELESCOPIC ANTENNA
- 22. BATTERY DOOR COMPARTMENT (UNDER THE UNIT)

## POWER SUPPLY

### BATTERY OPERATION

- OPEN THE BATTERY DOOR AND INSERT 6 PCS "C-CELL" (UM-2/ LR14 TYPE) BATTERIES. PLEASE OBSERVE CORRECT BATTERY POLARITIES OR THE SET WILL NOT WORK.

- IMPORTANT: WHEN THE SET IS ONLY USED WITH AC, OR IS NOT USED FOR 4 WEEKS OR MORE, PLEASE REMOVE THE BATTERIES, TO AVOID DAMAGE TO THE SET FROM LEAKAGE OF BATTERIES.



**UM-2/"C"/LR14  
(1.5V) SIZE x6 PCS**

#### NOTE:

THIS UNIT HAS A "BATTERY SAVER" FUNCTION. IF YOU WISH TO PRESERVE THE BATTERY LIFE USE THIS SWITCH (20). THE UNIT WILL NOT DRAW ANY POWER FROM THE BATTERY WHICH WILL ENHANCE BATTERY LIFE WHEN NOT IN USE. PLEASE REMEMBER THAT WHEN THE BATTERY SAVER IS USED, THE CLOCK (TIME SETTING) & RADIO (PRESET STATION) MEMORY WILL BE LOST.

### AC OPERATION (BUILT-IN TRANSFORMER)

- MAKE SURE THE SET VOLTAGE OF THE UNIT MATCHES YOUR LOCAL HOUSEHOLD VOLTAGE.

- THE AC-CORD IS A DETACHABLE TYPE & CAN BE FOUND EITHER INSIDE THE ORIGINAL BOX OR WITHIN THE BATTERY COMPARTMENT UNDER THE UNIT.

- INSERT THE PLUG OF THE AC-CORD INTO A WALL OUTLET WITH AC-POWER.

- INSERT THE TAIL END OF THE AC-CORD FIRMLY INTO THE AC-SOCKET BEHIND THE UNIT. (PLEASE ENSURE THE TAIL END IS FIRMLY CONNECTED TO THE SOCKET).

## INTELLIGENT POWER SAVING SYSTEM

- THIS SET HAS A BUILT-IN POWER SAVING SYSTEM WHICH WILL AUTOMATICALLY PUT THE SET INTO A "STANDBY MODE" TO REDUCE POWER CONSUMPTION WHEN IT DETECTS THAT THE SET IS NOT IN USE.

- THIS AUTOMATIC SWITCHING TO "STANDBY MODE" WILL HAPPEN APPROXIMATELY 10-15 MINUTES AFTER THE FOLLOWING CIRCUMSTANCES:

(A) "CD" MODE: CD PLAYBACK HAS STOPPED (eg. AT THE END OF A DISC).

(B) "USB" MODE: USB PLAYBACK HAS STOPPED.

(C) "CARD" MODE: CARD PLAYBACK HAS STOPPED.

(D) "AUX" MODE: NO INPUT SIGNAL IS DETECTED AT THE AUX INPUT JACK.

- TO RE-ACTIVATE THE UNIT AFTER IT HAS AUTOMATICALLY SWITCHED TO "STANDBY MODE", SIMPLY PRESS THE "ON/STANDBY" KEY TO SWITCH ON THE UNIT.

## DIGITAL CLOCK FUNCTION

- THE SET HAS A BUILT-IN DIGITAL CLOCK, WHICH IS DISPLAYED WHEN THE SET IS IN "STANDBY MODE". (THE DISPLAY WILL CONTINUOUSLY SHOW THE CURRENT TIME). IN THIS SITUATION THE BLUE BACKLIGHT IS NORMALLY DIMMED (TO SAVE ELECTRICITY).

### HOW TO SET CORRECT TIME:

SWITCH UNIT TO "STAND-BY" MODE



PRES S & HOLD „CLOCK SET" FOR 2 SECONDS  
DISPLAY SHOWS „12" HOUR OR „24" HOUR (FLASHING)



PRESS **▶▶TUNE+** OR **◀◀TUNE-** TO SELECT 12-HOUR OR 24-HOUR CLOCK DISPLAY SYSTEM & PRESS „CLOCK SET" TO CONFIRM YOUR SELECTION



PRESS **▶▶TUNE+** OR **◀◀TUNE-** REPEATEDLY TO SET THE CORRECT HOUR IN THE DISPLAY & PRESS „CLOCK SET" TO CONFIRM



PRESS **▶▶TUNE+** OR **◀◀TUNE-** REPEATEDLY TO SET THE CORRECT MINUTE IN THE DISPLAY & PRESS „CLOCK SET" TO CONFIRM



CORRECT TIME IS NOW SET & WILL BE SHOWN IN THE DISPLAY!

\*NOTE: THAT WHEN THE DIGITAL CLOCK IS NOT SET, THE DIGITAL CLOCK DISPLAY SHALL CONTINUOUSLY FLASH TO INDICATE THAT THE CORRECT TIME HAS NOT YET BEEN SET.

## ELECTRONIC VOLUME CONTROL

- THIS UNIT USES AN ELECTRONIC VOLUME CONTROL (PUSH BUTTON TYPE).
- TO INCREASE OR DECREASE THE LOUDNESS OF UNIT, PRESS THE VOLUME UP (VOL +) OR VOLUME DOWN (VOL -) KEYS RESPECTIVELY.
- RELEASE THE KEY WHEN VOLUME LEVEL IS AT THE DESIRED LOUDNESS.
- SOMETIMES, ESPECIALLY DURING LISTENING TO THE RADIO, YOU MAY NOTICE A "CLICK-CLICK-CLICK" (REPEATING) SOUND WHEN YOU ARE INCREASING OR DECREASING THE VOLUME. THIS IS A NORMAL CONDITION & THE SOUND WILL DISAPPEAR WHEN YOU RELEASE THE VOLUME KEY (WHEN YOU REACH THE DESIRED VOLUME LEVEL).

## OPERATION OF RADIO

- PRESS THE "ON/STANDBY" KEY ONCE TO SWITCH ON THE UNIT.
  - PRESS THE „FUNCTION" KEY REPEATEDLY UNTIL THE DISPLAY SHOWS "FM" AND THE RADIO FREQUENCY.
  - ADJUST THE TELESCOPIC ANTENNA AND POSITION OF THE SET TO OBTAIN THE BEST RECEPTION.
  - USE THE "PLAY/ PAUSE/ FM MODE" KEY TO SELECT THE DESIRED MODE (FM MONO/STEREO).
- IN SOME CASES, WHERE RECEPTION IS POOR, IT MAY BE ADVISABLE TO SELECT "MONO" MODE, TO IMPROVE CLARITY OF THE RADIO SIGNAL.

### AUTOMATIC SCAN AND STORED (STATION MEMORY AUTO STORE)

- PRESS AND HOLD (FOR 2 SECONDS) THE "FM MODE" KEY, THIS UNIT WILL AUTOMATICALLY SCAN ALL STATIONS AND AUTOMATICALLY STORE THE FIRST 30 STATIONS FOUND INTO THE MEMORY PRESETS.



**MANUAL FREQUENCY ADJUSTMENT (SCAN MODE)**

- PRESS (AND IMMEDIATELY RELEASE) THE „NEXT“ OR „BACK“ KEY OR “SCAN” (MANUALLY ADJUST) THE RADIO FREQUENCY “UP” OR “DOWN” BY 1-STEP AT A TIME.
- THE RADIO DIGITAL DISPLAY WILL INDICATE THE EXACT FREQUENCY AT EACH STEP’S POSITION.
- WHEN A DESIRED FREQUENCY OR STATION IS REACHED. IT CAN BE SAVED INTO ONE OF THE “MEMORY” POSITIONS. (SEE “RADIO MEMORY” SECTION).

**AUTOMATIC FREQUENCY ADJUSTMENT (SEEK MODE)**

- PRESS AND HOLD (FOR 2 SECONDS) THE „NEXT“ OR „BACK“ KEYS TO “SEEK” (AUTOMATICALLY ADJUST) THE RADIO FREQUENCY “UP” OR “DOWN” TO THE NEXT AVAILABLE RADIO STATION.
- THE RADIO DIGITAL DISPLAY WILL INDICATE THE EXACT FREQUENCY OF THE NEXT STATION THAT IS FOUND.
- WHEN A DESIRED STATION IS REACHED. IT CAN BE SAVED INTO ONE OF THE “MEMORY” POSITIONS. (SEE “RADIO MEMORY” SECTION).






**RADIO MEMORY (STATION PRESET MEMORY STORAGE)**

- AT ANY TIME, THE CURRENTLY DISPLAYED STATION OR FREQUENCY CAN BE STORED INTO ONE OF THE MEMORY POSITION.
- PRESS „MEM/PROG“ KEY ONCE.
- PRESS „MEM UP“ KEY (ON UNIT) TO SELECT DESIRED MEMORY POSITION. (THERE ARE 30 MEMORY POSITIONS FOR FM BAND).
- PRESS “MEM/PROG” KEY ONCE TO SAVE THE SELECTED STATION INTO THE SELECTED MEMORY POSITION.
- TO RECALL ANY SAVED MEMORY, SIMPLY PRESS „MEM UP“ KEY, THE SAVED RADIO-BAND WILL BE RECALLED.
- TO CLEAR THE MEMORY OF ANY POSITION, SIMPLY SAVE A NEW STATION TO THE SAME MEMORY POSITION.




**INSERTION & REMOVAL OF DISCS**

- WHEN OPENING THE CD-DOOR, ALWAYS ENSURE THE DISC IS NOT IN MOTION (NOT SPINNING) WHEN YOU OPEN THE CD-DOOR. ALWAYS PRESS “STOP” KEY TO STOP THE DISC SPINNING FIRST.
- PLACE A CD INTO THE COMPARTMENT WITH THE LABEL-SIDE (PRINTED SIDE OF DISC) FACING UPWARDS. PRESS DOWN IN THE CENTER PART OF DISC UNTIL THE DISC “LOCKS” ONTO THE CENTER SPINDLE.
- WHEN THE CD HAS BEEN PLACED ONTO THE CENTER SPINDLE, GENTLY LOWER THE CD-DOOR DOWNWARDS UNTIL IT LOCKS SHUT.
- THE CD IS NOW READY TO BE PLAYED.
- TO REMOVE A DISC, FOLLOW THE SAME PROCEDURE AS DESCRIBED ABOVE, EXCEPT TO REMOVE THE CD INSTEAD OF INSERTING IT INTO THE COMPARTMENT, BY PLACING ONE FINGER AT THE MIDDLE OF DISC (CENTER SPINDLE) & THE OTHER AT THE EDGE OF THE DISC & GENTLY PULLING UPWARDS.
- IMPORTANT : ALWAYS HOLD A CD BY ITS EDGES. AVOID GETTING ANY FINGER PRINTS, SMUDGES OR DIRT ONTO THE SURFACE OF A DISC. IN CASE THIS HAPPENS, USE A SPECIAL CD-CLEANING CLOTH OR CLEANING KIT TO REMOVE THE DIRT OR SMUDGES.




## NORMAL CD OPERATION

- TURN THE UNIT ON BY PRESS THE "ON/ STANDBY" KEY.
- INSERT A CD AS DESCRIBED.
- PRESS THE FUNCTION KEY UNTIL DISPLAY SHOW "CD".
- THE CD WILL SPIN MOMENTARILY AND THE DISPLAY SHOW THE TOTAL NUMBER OF TRACKS (SONG) OF THE DISC.
- PRESS THE "PLAY/ PAUSE/ USB" KEY, THE FIRST TRACK (SONG) WILL START PLAYING. THE DISPLAY WILL INDICATE THE CURRENT TRACK NO. ("001" IF IT IS THE FIRST TRACK).
- AT ANYTIME DURING PLAYBACK, PRESS THE "PLAY/ PAUSE" KEY  TO PAUSE OPERATION OF THE UNIT. PRESS THE "PLAY/ PAUSE" KEY  AGAIN TO RESUME OPERATION AT THE SAME TRACK & POSITION.
- AT ANYTIME DURING PLAYBACK, PRESS THE "STOP" KEY  TO STOP OPERATION OF THE SET THE DISPLAY SHOW THE TOTAL NUMBER OF TRACKS (SONG) OF THE DISC. THIS WILL RESET THE CD PLAYER TO THE FIRST TRACK (IF YOU PRESS PLAY AFTER STOP, THE FIRST TRACK WILL ALWAYS START PLAYING).
- AT ANYTIME DURING PLAYBACK, PRESS AND RELEASE THE „BACK“ OR „NEXT“ KEYS TO SKIP BACKWARDS OR FORWARDS BY ONE TRACK, AS DESIRED.
- AT ANYTIME DURING PLAYBACK, PRESS AND HOLD THE KEYS:  OR  TO FAST-REVERSE (REVIEW) OR FAST-FORWARD (CUE) THE SPECIFIC TRACK, WHICH IS CURRENTLY PLAYING.

## HOW TO PLAY MP3 DISCS

- INSERT A MP3 CD DISC, CLOSE THE DOOR.
- PRESS THE "FUNCTION" KEY TO SELECT "CD".
- THE DISC WILL SPIN AND THE FIRST TRACK (SONG) WILL START PLAYING AUTOMATICALLY, THE DISPLAY WILL INDICATE THE CURRENT TRACK NO.: (001).
- AT ANYTIME DURING PLAYBACK, PRESS AND RELEASE  OR  TO SKIP BACKWARDS OR FORWARDS BY ONE TRACK.
- AT ANYTIME DURING PLAYBACK, PRESS THE "STOP" KEY  TO STOP OPERATION OF THE SET AND THE DISPLAY SHOW THE TOTAL NUMBER OF TRACKS (SONG) OF THE DISC.

### USB- DRIVE & SD-CARD MP3 PLAYBACK

- THIS UNIT IS EQUIPPED WITH A USB SOCKET WHICH CAN ACCEPT AND PLAY MP3 FILES STORED ON STANDARD USB FLASH DRIVES (ALSO KNOWN AS "PEN DRIVES") WHICH ARE FOR MEMORY STORAGE. (COMPATIBLE WITH USB VERSION 1.1 & 2.0).
- THIS UNIT ALSO HAS A BUILT-IN SD-CARD SOCKET WHICH CAN ACCEPT AND PLAY MP3 FILES STORED ON STANDARD "SD" TYPE FLASH MEMORY CARDS (OF MAXIMUM CAPACITY = 16 GB) WHICH ARE COMMONLY AVAILABLE.
- TO UTILIZE THIS FACILITY, FIRST INSERT EITHER A USB-DRIVE OR AN SD-CARD INTO THE CORRECT SLOT (PORT).
- PRESS THE FUNCTION KEY REPEATEDLY UNTIL THE DISPLAY SHOWS "SD" OR "USB".
- THE FIRST MP3 SONG WILL START PLAYING AUTOMATICALLY. THE DISPLAY WILL INDICATE THE CURRENT FILE NO.: (001).
- AT ANYTIME DURING PLAYBACK, PRESS AND RELEASE  OR  TO SKIP BACKWARDS OR FORWARDS BY ONE FILE.
- AT ANYTIME DURING PLAYBACK, PRESS THE "STOP" KEY  TO STOP OPERATION OF THE SET AND THE DISPLAY SHOW THE TOTAL NUMBER OF MP3 SONGS OF THE DEVICE.
- ALL FUNCTIONS FOR USB-DRIVE & SD-CARD MP3 PLAYBACK ARE EXACTLY THE SAME AS IN CD-MP3 MODE (AS PREVIOUSLY DESCRIBED).





NOTE:ALTHOUGH THIS PRODUCT IS FULLY COMPATIBLE WITH USB 1.1 & 2.0 STANDARDS, A SMALL PERCENTAGE (ABOUT 5%) OF USB FLASH DRIVES MIGHT NOT BE READABLE, DUE TO THOSE USB-DRIVE MANUFACTURERS NON-COMPLIANCE WITH THE FULL (OFFICIAL) USB 1.1 / 2.0 STANDARDS.

THE READING TIME FOR A USB-DRIVE OR SD-CARD VARIES DEPENDING ON THE SPEED OF THE MEMORY DEVICE AND THE NUMBER OF SONGS AND FOLDERS. IN SOME CASES THE READING TIME MAY BE AS LONG AS 60 SECONDS.

#### IMPORTANT

ALWAYS SWITCH OFF THE UNIT OR CHANGE MODE TO "CD" OR "RADIO" BEFORE REMOVING A USB FLASH DRIVE OR SD-CARD, TO PREVENT DAMAGE TO YOUR USB DEVICE OR MEMORY CARD.

THIS UNIT DOES NOT SUPPORT USB-MP3 PLAYER, DUE TO THEIR INHERENT LACK OF SOFTWARE COMPATIBILITY. ONLY USB "PEN DRIVES" (FLASH MEMORY USB DRIVES) CAN BE USED, FOR MP3 PLAYBACK.

#### IMPORTANT POINT

Please do NOT use a USB Extension Cable to connect your USB FLASH DRIVE to the USB PORT of this unit.

Such cables can pick up additional interference which can corrupt the data flow, preventing normal operation and usage of the USB port. Always connect your USB Flash Drive DIRECTLY to the USB PORT without any USB extension.

NOTE: THIS UNIT SUPPORTS UP TO MAXIMUM MEMORY SIZE OF 16 GB USB FLASH DRIVE & SD CARD.

## PROGRAMMING THE CD PLAYER

- THE CD PLAYER CAN BE PROGRAMMED TO PLAY ANY SEQUENCE OF UP TO 20 TRACKS FOR AUDIO-CD / 99 TRACKS FOR MP3-CD, AS DESIRED.
- ALWAYS PRESS THE „STOP“ KEY BEFORE STARTING THE PROGRAMMING.
- PRESS THE "PROGRAM" KEY ,THE DISPLAY WILL SHOW "P01" AND THE "P" SYMBOL WILL FLASH, TO INDICATE THAT THE SET IS NOW IN "MEMORY PROGRAMMING MODE", AT THE FIRST MEMORY POSITION.
- PRESS THE „BACK“ OR „NEXT“ KEYS OR TO SELECT THE TRACK (SONG) NUMBER YOU WISH TO BE STORED IN THE FIRST MEMORY (PROGRAM) POSITION, AND PRESS THE "PROGRAM/REPEAT" KEY TO CONFIRM YOUR SELECTION.
- WHEN YOU PRESS THE "PROGRAM" THE DISPLAY WILL ADVANCE TO THE NEXT MEMORY POSITION (eg. "P02").
- REPEAT THE PREVIOUS 2 STEPS, EACH TIME SELECTING ANY TRACK NUMBER OF YOUR CHOICE TO BE STORED IN THE SUCCESSIVE MEMORY (PROGRAM) POSITIONS.
- AFTER EACH TRACK NUMBER, REMEMBER TO PRESS THE PROGRAM/ REPEAT KEY.
- AFTER A MAXIMUM OF SONGS (OR LESS) HAVE BEEN SELECTED AS DESCRIBED ABOVE.
- ALSO, THE "P" SYMBOL WILL REMAIN "ON" TO INDICATE THAT YOU HAVE SAVED A PROGRAM-MEMORY (SEQUENCE).
- PRESSING „PLAY“ WILL NOW PLAY BACK THE "SAVED SEQUENCE" IN THE PROGRAM MEMORY.
- TO CLEAR (CANCEL) THE ENTIRE PROGRAM WHICH IS STORED IN THE MEMORY, SIMPLY PRESS "STOP" TWICE, OR SWITCH "OFF" THE SET.

## PLAY MODE FUNCTION

- AT ANYTIME DURING PLAYBACK:
- PRESS REP./RAND./MEM UP KEY REPEATEDLY TO SELECT THE FOLLOWING OPTIONS:
  1. REPEAT: TO REPEAT THE CURRENT TRACK (DISPLAY SHOWS "REPEAT")
  2. REPEAT FOLDER: TO REPEAT THE CURRENT FOLDER (DISPLAY SHOWS "REPEAT FOLDER") (ONLY AVAILABLE IN MP3 PLAYBACK WITH FOLDER)
  3. REPEAT ALL: TO REPEAT ALL TRACK (DISPLAY SHOWS "REPEAT ALL")
  4. RANDOM: TO SHUFFLE ALL SONGS IN RANDOM ORDER (DISPLAY SHOWS "RAND")

## USING THE AUDIO LINE IN CONNECTION (AUX-INPUT)

- YOU CAN CONNECT THE AUDIO OUTPUT OF AN EXTERNAL DEVICE SUCH AS A MP3 PLAYER OR A TV TO THIS UNIT, TO LISTEN TO THE SOUND OF THAT DEVICE THROUGH THE HIGH QUALITY AMPLIFIER OF THIS MUSIC SYSTEM.
- TO CONNECT THE EXTERNAL DEVICE PLEASE USE A STANDARD STEREO HEADPHONE (3.5MM TO 3.5MM PLUGS) CABLE TO CONNECT THE "HEADPHONE-OUT OR AUDIO LINE-OUT" OF THE DEVICE TO THE AUX-INPUT SOCKET OF THIS UNIT.
- PRESS THE FUNCTION KEY TO "AUX".
- SWITCH ON THE UNIT AND THE EXTERNAL DEVICE (eg. MP3-PLAYER OR TV).
- START PLAYBACK OF THE EXTERNAL DEVICE AND ADJUST THE VOLUME CONTROL OF THE MAIN UNIT TO THE DESIRED LEVEL.
- REMEMBER TO SWITCH OFF THE UNIT WHEN YOU ARE FINISHED USING THE EXTERNAL DEVICE.

## SPECIFICATIONS

POWER SUPPLY :	AC 230V ~, 50Hz DC 9V (6 x C-CELL/ UM-2/ LR14 SIZE) (BATTERIES NOT INCLUDED)
POWER CONSUMPTION :	22 W
OUTPUT POWER PER CHANEL :	1.8W x 2
FREQUENCY :	FM 87.5 - 108 MHz

THE APPARATUS SHOULD NOT BE EXPOSED TO DRIPPING OR SPLASHING AND NO OBJECTS FILLED WITH LIQUIDS SHOULD BE PLACED ON THE APPARATUS.

THE MARKING AND RATING LABEL IS LOCATED AT THE REAR ENCLOSURE OF THE APPARATUS.

THE MAINS PLUG IS USED AS THE DISCONNECT DEVICE AND IT SHALL REMAIN READILY OPERABLE. TO BE COMPLETELY DISCONNECTED THE POWER INPUT, THE MAINS PLUG OF THE APPARATUS SHALL BE DISCONNECTED FROM THE MAINS COMPLETELY. THE MAINS PLUG SHOULD NOT BE OBSTRUCTED OR SHOULD BE EASILY ACCESSED DURING INTENDED USE.

UNDER THE INFLUENCE OF ELECTROSTATIC PHENOMENON, THE PRODUCT MAY MALFUNCTION AND USER TO POWER RESET.

EXCESSIVE SOUND PRESSURE FROM EARPHONES AND HEADPHONES CAN CAUSE HEARING LOSS.

BATTERY SHOULD NOT BE EXPOSED TO EXCESSIVE HEAT SUCH AS SUNSHINE, FIRE OR THE LIKE.

ELECTROSTATIC DISCHARGE (ESD) PRECAUTION

WHEN ELECTROSTATIC DISCHARGE (ESD) OCCURS AT THE FRONT SURFACE (WHETHER METAL OR PLASTIC) OR NEAR ANY PART OR ANY BUTTON OF THIS UNIT, OR AT THE USB PORT AND/ OR SD-CARD SLOTS (IF THEY EXIST ON THIS PRODUCT), THERE MAY BE A POSSIBILITY THAT THE PRODUCT MAY STOP OPERATION AND/ OR SHUT DOWN IMMEDIATELY. THIS IS A NORMAL CONDITION AND INTENDED TO PROTECT THE UNIT AND INTERNAL COMPONENTS AGAINST DAMAGE. IN SUCH A CASE, PLEASE RESET THE UNIT (BY DISCONNECTING AND RECONNECTING AC-POWER SOURCE) TO REVERT THE UNIT TO NORMAL OPERATION.

SPECIFICATIONS ARE SUBJECTS TO CHANGE WITHOUT PRIOR NOTICE.



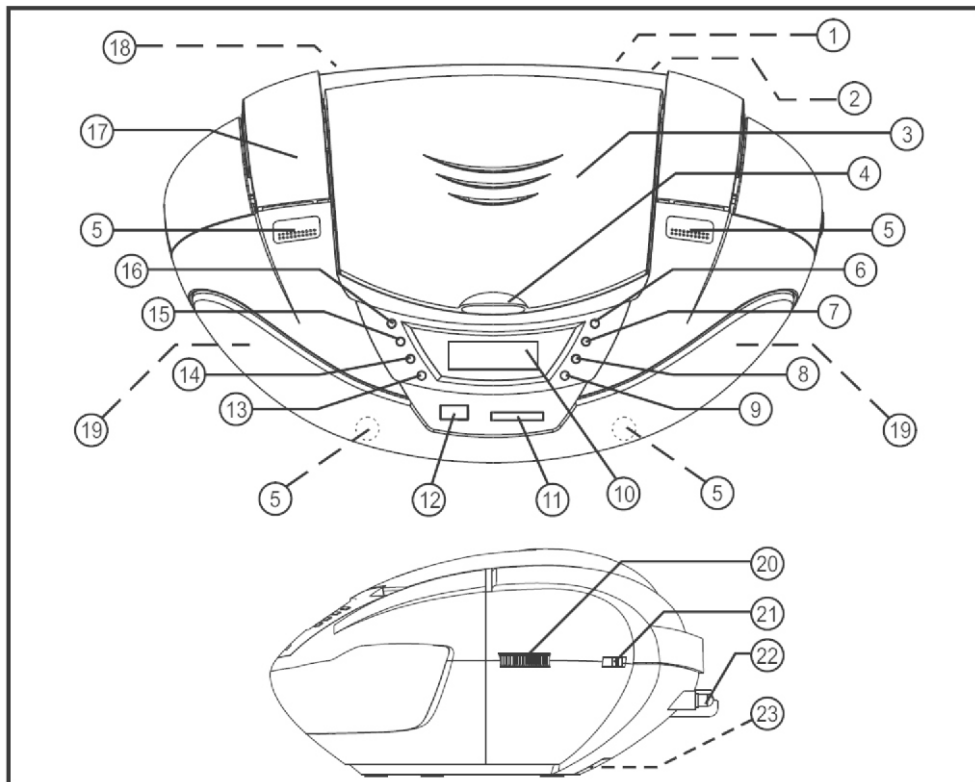
English  
Correct Disposal of This Product  
(Waste Electrical & Electronic Equipment)



(Applicable in the European Union and other European countries with separate collection systems)  
This marking shown on the product or its literature, indicates that it should not be disposed with other household wastes at the end of its working life. To prevent possible harm to the environment or human health from uncontrolled waste disposal, please separate this from other types of wastes and recycle it responsibly to promote the sustainable reuse of material resources. Household users should contact either the retailer where they purchased this product, or their local government office, for details of where and how they can take this item for environmentally safe recycling. Business users should contact their supplier and check the terms and conditions of the purchase contract. This product should not be mixed with other commercial wastes for disposal.

Made in China for LECHPOL Zbigniew Leszek, Miętne, 1 Garwolińska Street, 08-400 Garwolin.

## ROZMIESZCZENIE PRZYCSKÓW



- |  |  |
|--|--|
| 1. WYJŚCIE SŁUCHAWKOWE                                       | 14. PRZYCSK BACK (DO TYŁU)/TUNE - (NIŻSZA CZĘSTOTLIWOŚĆ)   |
| 2. WEJŚCIE AUX   | 15. PRZYCSK NEXT (DO PRZODU)/TUNE + (WYŻSZA CZĘSTOTLIWOŚĆ) |
| 3. POKRYWA ODTWARZACZA PŁYT CD                               | 16. PRZYCSK ON (WŁ.)/STANDBY (CZUWANIE)/FUNCTION (TRYB)    |
| 4. PRZYCSK OTWIERANIA POKRYWY ODTWARZACZA PŁYT CD            | 17. UCHWYT   |
| 5. GŁOŚNIKI  | 18. GNIAZDO ZASILANIA                                      |
| 6. PRZYCSK PLAY/ PAUZA / FM                                  | 19. GŁÓWNE GŁOŚNIKI (LEWY I PRAWY)                         |
| 7. PRZYCSK STOP/ MEM. /PROG./CLOCK SET (USTAW. ZEGARA)       | 20. PRZYCSK OSZCZĘDZANIA ENERGII                           |
| 8. GŁOŚNOŚĆ +  | 21. TELESKOPOWA ANTENA                                     |
| 9. GŁOŚNOŚĆ -  | 23. KOMORA POJEMNIKA BATERII (POD URZĄDZENIEM)             |
| 10. WYŚWIETLACZ LCD  |  |
| 11. CZYTNIK KART SD  |  |
| 12. PORT USB   |  |
| 13. PRZYCSK REPEAT (POWTÓRZ) / RANDOM (LOSOWO) / MEM. UP KEY |  |



Znak błyskawicy w trójkącie ostrzega przez niebezpiecznym napięciem wewnątrz urządzenia.

## CAUTION

RISK OF ELECTRIC SHOCK  
DO NOT OPEN

UWAGA: Aby zmniejszyć ryzyko porażenia prądem elektrycznym nie należy zdejmować obudowy urządzenia. Wszelkie naprawy urządzenia należy powierzyć wykwalifikowanemu serwisowi.



Znak wykrzyknika w trójkącie informuje o ważnych instrukcjach dołączonych do produktu.

**OSTRZEŻENIE:** ABY ZMNIJSZYĆ RYZYKO POŻARU LUB PORAŻENIA PRĄDEM NALEŻY UWAŻAĆ ABY URZĄDZENIE NIE ZOSTAŁO ZALANE PŁYNEM.

WTYCZKA ZASILAJĄCA PEŁNI FUNKCJĘ GŁÓWNEGO WŁĄCZNIKA / WYŁĄCZNIKA URZĄDZENIA I POWINNA BYĆ UMIESZCZONA W ŁATWO DOSTĘPNYM MIEJSCU. CAŁKOWITE ODCIĘCIE ZASILANIA JEST MOŻLIWE WYŁĄCZNIE POPRZECZ ODŁĄCZENIE WTYCZKI ZASILAJĄCEJ OD GNIAZDA ZASILANIA.

**UWAGA:** ETYKIETA JEST UMIESZCZONA NA TYLNEJ OBUDOWIE URZĄDZENIA.



**UWAGA**  
**UNIKAJ ZALANIA URZĄDZENIA PŁYNEM!**

**UWAGA:** WTYCZKA ZASILANIA MUSI DOKŁADNIE PASOWAĆ DO GNIAZDA ZASILAJĄCEGO.

SYMBOLE OSTRZEGAWCZE SĄ UMIESZCZONE NA TYLNEJ OBUDOWIE URZĄDZENIA. PRZECZYTAJ DOKŁADNIE INSTRUKCJĘ OBSŁUGI.

**UWAGA:** BEZPOŚREDNIE DZIAŁANIE LASERA URZĄDZENIA NA LUDZKIE OKO JEST SZKODLIWE. ZAWSZE UŻYWAJ URZĄDZENIA ZGODNIE Z INSTRUKCJĄ OBSŁUGI.

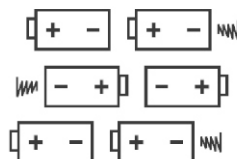
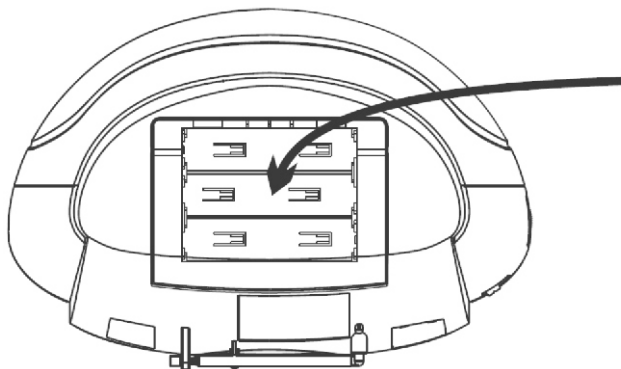


KLASA 1 LASERA

## ZASILANIE

### INSTALACJA BATERII

- OTWÓRZ POKRYWĘ POJEMNIKA BATERII I WŁÓŻ 6 BATERII TYPY "C-CELL" (UM-2/ LR14).
- UMIEŚĆ BATERIE ZGODNIE Z ZAZNACZONĄ POLARYZACJĄ.
- WAŻNE: W PRZYPADKU ZASILANIA URZĄDZENIA WYŁĄCZNIE Z GNAZDA AC LUB NIE UŻYWANIA PRZEZ DŁUŻSZY CZAS, ZALECANE JEST WYJĘCIE BATERII.



UM-2/"C"/LR14  
(1.5V) SIZE x6 PCS

### UWAGA:

ISTNIEJE MOŻLIWOŚĆ ZASILANIA URZĄDZENIA JEDYNNIE Z GNAZDA SIECIOWEGO. PO WŁĄCZENIU TEJ OPCJI (PRZYCIŚK NR. 20), URZĄDZENIE NIE BĘDZIE ZASILANE BATERIAMI. W TAKIEJ SYTUACJI, PRZY ODŁĄCZENIU OD ZASILANIA SIECIOWEGO, USTAWIENIA ZEGARA I ULUBIONYCH STACJI ZOSTANĄ USUNIĘTE.

### ZASILANIE Z GNAZDA AC

- UPEWNIJ SIĘ, ŻE NAPIĘCIE W GNAZDKU ZASILANIA ODPOWIADA SPECYFIKACJI URZĄDZENIA.
- KABEL ZASILAJĄCY JEST ODCZEPIANY I POWINIEN ZNAJDOWAĆ SIĘ W OPAKOWANIU URZĄDZENIA LUB POJEMNIKU NA BATERIE.
- PODŁĄCZ PRZEWÓD ZASILAJĄCY DO GNAZDKA ZASILANIA.
- PODŁĄCZ DRUGI KONIEC PRZEWÓDU DO URZĄDZENIA (UPEWNIJ SIĘ, ŻE PRZEWÓD JEST DOBRZE PODŁĄCZONY DO URZĄDZENIA).

## OSZCZĘDZANIE ENERGII

- URZĄDZENIE ZOSTAŁO WYPOSAŻONE W FUNKCJĘ AUTOMATYCZNEGO PRZEŁĄCZANIA W TRYB CZUWANIA JEŚLI NIE JEST UŻYWANE.
- FUNKCJA URUCHOMI SIĘ PO OKOŁO 10-15 MINUTACH, JEŚLI WCZEŚNIEJ NASTĄPI JEDNO Z PONIŻSZYCH ZDARZEŃ:
  - (A) TRYB "CD": ODTWARZANIE PŁYTY CD ZOSTAŁO UKOŃCZONE
  - (B) TRYB "USB": ODTWARZANIE UTWORÓW NOŚNIKA USB ZOSTAŁO UKOŃCZONE
  - (C) TRYB "KARTA SD": ODTWARZANIE UTWORÓW KARTY SD ZOSTAŁO UKOŃCZONE.
  - (D) TRYB "AUX": NIE WYKRYTO URZĄDZEŃ ZEWNĘTRZNYCH PODŁĄCZONYCH DO GNAZDA AUX.
- ABY PONOWNIE WŁĄCZYĆ BOOMBOX, NALEŻY NACISNĄĆ PRZYCIŚK "ON/STANDBY".

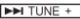

## ZEGAR CYFROWY


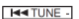
- URZĄDZENIE W TRYBIE CZUWANIA WYŚWIETLA NA EKRANIE CYFROWY ZEGAR. ABY USTAWIĆ GODZINĘ ZEGARA, NALEŻY:

WŁĄCZYĆ TRYB CZUWANIA

↓  
NACISNĄĆ I PRZYTRZYMAĆ PRZYCISK CLOCK SET (PRZYCISK 7)  
NA EKRANIE WYŚWIETLI SIĘ „12” LUB „24”

↓  
NALEŻY NACISNĄĆ PRZYCISK  LUB  ABY WYBRAĆ WŁAŚCIWY FORMAT (12-  
LUB 24-GODZINNY), ORAZ ZATWIERDZIĆ PRZYCISKIEM „CLOCK SET”

↓  
NASTĘPNIE, KILKAKROTNIENACISNĄĆ PRZYCISK  LUB  ABY USTAWIĆ  
ODPOWIEDNIĄ GODZINĘ, I NACISNĄĆ PRZYCISK „CLOCK SET” ABY ZATWIERDZIĆ

↓  
PONOWNIE NACISNĄĆ PRZYCISK  LUB  KILKUKROTNIENACISNĄĆ  
WŁAŚCIWĄ WARTOŚĆ MINUT, ORAZ NACISNĄĆ PRZYCISK „CLOCK SET” ABY  
ZATWIERDZIĆ.

↓  
USTAWIENIA ZEGARA ZOSTAŁY ZAPISANE I ZOSTANĄ WYŚWIETLONE NA EKRANIE

## CYFROWA KONTROLA GŁOŚNOŚCI

- URZĄDZENIE POSIADA CYFROWĄ KONTROLĘ GŁOŚNOŚCI

- ABY ZWIĘKSZYĆ/ZMNIEJSZYĆ POZIOM GŁOŚNOŚCI, NALEŻY ODPOWIEDNIO NACISNĄĆ  
PRZYCISK VOL + LUB VOL -.

- NIEKIEDY PODCZAS ZMIANY POZIOMU GŁOŚNOŚCI W TRYBIE RADIA FM, URZĄDZENIE  
BĘDZIE WYDAWAĆ KRÓTKIE DZWIĘKI TOWARZYSZĄCE NACIŚNIĘCIOM PRZYCISKÓW.  
TAKIE DZIAŁANIE JEST NORMALNE I USTĄPI WRAZ Z ZAKOŃCZENIEM DOSTOSOWANIA  
POZIOMU GŁOŚNOŚCI.

## OBSŁUGA RADIA

- ABY WŁĄCZYĆ RADIO FM, NALEŻY NAJPIERW WŁĄCZYĆ URZĄDZENIE

- NASTĘPNIE KILKUKROTNIENACISNĄĆ PRZYCISK „FUNCTION” AŻ DO WYBRANIA TRYBU  
"FM".

- USTAWIĆ ANTENĘ W OPTYMALNEJ POZYCJI.

- ZA POMOCĄ PRZYCISKU "PLAY/ PAUSE/ FM MODE" WYBRAĆ ŻĄDANY TRYB (FM  
MONO/STEREO).

W PRZYPADKU SŁABEGO SYGNAŁU RADIOWEGO, ZALECA SIĘ WYBÓR TRYBU MONO, W  
CELU POPRAWY JAKOŚCI ODBIORU.

## AUTOMATYCZNE WYSZUKIWANIE I ZAPISYWANIE STACJI

- W TYM CELU NALEŻY NACISNĄĆ I PRZYTRZYMAĆ PRZYCISK "FM MODE". URZĄDZENIE  
WYSZUKA I ZAPISZE W PAMIĘCI ULUBIONYCH PIERWSZE 30 DOSTĘPNYCH STACJI.

## RĘCZNE STROJENIE RADIA

- NACISNĄĆ PRZYCISK „NEXT” LUB "BACK" ABY RĘCZNIE DOSTOSOWAĆ CZĘSTOTLIWOŚĆ O  
JEDEN STOPIEŃ.

- EKRAN BĘDZIE WYŚWIETLAŁ DOKŁADNĄ WARTOŚĆ CZĘSTOTLIWOŚCI.

- PO OSIĄGNIĘCIU ŻĄDANEJ CZĘSTOTLIWOŚCI, MOŻNA JĄ ZAPISAĆ NA LIŚCIE  
ULUBIONYCH STACJI RADIOWYCH (ZOB. "ULUBIONE").

**CYFROWE STROJENIE RADIA**

- ABY WŁĄCZYĆ CYFROWE STROJENIE RADIA, NALEŻY NACISNĄĆ I PRZYTRZYMAĆ PRZYCISK „NEXT” LUB „BACK”.
- URZĄDZENIE AUTOMATYCZNIE WYSZUKA I WYŚWIETLI CZĘSTOTLIWOŚĆ PIERWSZEJ DOSTĘPNEJ STACJI RADIOWEJ.
- WYSZUKANĄ STACJĘ MOŻNA ZAPISAĆ W PAMIĘCI RADIA (ZOB. “ULUBIONE”).

**ULUBIONE (LISTA ZAPISANYCH STACJI RADIOWYCH)**

- ABY ZAPISAĆ AKTUALNĄ CZĘSTOTLIWOŚĆ, NALEŻY:
- NACISNĄĆ PRZYCISK „MEM/PROG”.
- NACISNĄĆ PRZYCISK „MEM UP” ABY WYBRAĆ NUMER POD KTÓRYM ZAPISAĆ DANĄ CZĘSTOTLIWOŚĆ.
- PONOWNIE NACISNĄĆ PRZYCISK „MEM/PROG” ABY ZAPISAĆ WYBÓR.
- ABY PRZEJŚĆ DO UPRZEDNIO ZAPISANEJ STACJI, NALEŻY NACISNĄĆ PRZYCISK „MEM UP” AŻ DO WYBRANIA ŻĄDANEJ POZYCJI NA LIŚCIE ULUBIONYCH.
- ABY USUNĄĆ Z LISTY WYBRANĄ POZYCJĘ, NALEŻY NADPISAĆ NA TYM NUMERZE INNĄ CZĘSTOTLIWOŚĆ.

**WKŁADANIE I WYJMOWANIE PŁYTY**

- PRZY OTWIERANIU POKRYWY ODTWARZACZA CD, NALEŻY UPEWNIĆ SIĘ, ŻE PŁYTA JEST JUŻ ZATRZYMANA. ZAWSZE PRZED OTWARCIEM POKRYWY NACIŚNIJ PRZYCISK „STOP” ABY ZATRZYMAĆ ODTWARZANIE.
- OSTROŻNIE UMIEŚĆ PŁYTĘ KOMPAKTOWĄ STRONĄ „Z NAPISAMI” DO GÓRY W ODTWARZACZU I DOCIŚNIJ JĄ ABY WESZŁA W UCHWYT NAPĘDU.
- PO WŁOŻENIU PŁYTY ZAMKNIJ POKRYWĘ ODTWARZACZA.
- ODTWARZACZ JEST GOTOWY DO URUCHOMIENIA ODTWARZANIA.
- ABY WYJĄĆ PŁYTĘ Z ODTWARZACZA OTWÓRZ POKRYWĘ A NASTĘPNIE JEDNYM PALCEM PRZYTRZYMAJ CZĘŚĆ CENTRALNĄ (SZPINDEL) A DRUGIM DELIKATNIE POCIĄGNIJ PŁYTĘ DO GÓRY ZA ZEWNĘTRZNĄ KRAWĘDZ.

**WAŻNE:** ZAWSZE TRZYMAJ PŁYTĘ CD ZA JEJ KRAWĘDZIE. UNIKAJ DOTYKANIA PALCAMI POWIERZCHNI ZAPISU DANYCH. JEŻELI PŁYTA POSIADA ZABRUDZENIA NALEŻY JĄ WYCZYŚCIĆ UŻYWAJĄC ŚRODKÓW PRZEZNACZONYCH SPECJALNIE DO TEGO CELU.

**ODTWARZANIE PŁYT CD**

- WŁÓŻ PŁYTĘ DO ODTWARZACZA JAK OPISANO POWYŻEJ.
- ZMIENŃ TRYB NA „CD”
- PŁYTA W ODTWARZACZU ZACZNIE SIĘ OBRACAĆ A NA WYŚWIETLACZU UKAŻE SIĘ LICZBA ZAPISANYCH NA NIEJ UTWORÓW.
- NACIŚNIJ PRZYCISK "PLAY/ PAUSE" ABY URUCHOMIĆ ODTWARZANIE PIERWSZEGO UTWORU (NA WYŚWIETLACZU UKAŻE SIĘ NUMER ODTWARZANEGO UTWORU).
- W DOWOLNYM MOMENCIE ODTWARZANIA NACIŚNIJ PRZYCISK "PLAY/ PAUSE" WSTRZYMAĆ ODTWARZANIE. PONOWNE NACIŚNIĘCIE PRZYCISKU SPOWODUJE POWRÓT DO NORMALNEGO TRYBU ODTWARZANIA.
- W DOWOLNYM MOMENCIE ODTWARZANIA NACIŚNIJ PRZYCISK "STOP" ABY ZATRZYMAĆ ODTWARZANIE. PO ZATRZYMANIU NACIŚNIĘCIE PRZYCISKU "PLAY/ PAUSE" SPOWODUJE URUCHOMIENIE ODTWARZANIA PIERWSZEGO UTWORU.
- W DOWOLNYM MOMENCIE ODTWARZANIA NACIŚNIJ PRZYCISK „NEXT” LUB „BACK” ABY PRZEJŚĆ DO NASTĘPNEGO/POPZEDNIEGO UTWORU.
- W DOWOLNYM MOMENCIE ODTWARZANIA NACIŚNIJ I PRZYTRZYMAJ PRZYCISK „NEXT” LUB „BACK” ABY PRZEWINĄĆ DO PRZODU/TYŁU BIEŻĄCY UTWÓR.



**ODTWARZANIE PŁYT MP3**

- WŁÓŻ PŁYTĘ DO ODTWARZACZA JAK OPISANO NA POPRZEDNIEJ STRONIE.
- USTAW PRZEŁĄCZNIK TRYBU NA "CD"
- PŁYTA W ODTWARZACZU ZACZNIE SIĘ OBRACAĆ A NA WYŚWIETLACZU UKAŻE SIĘ LICZBA ZAPISANYCH NA NIEJ UTWORÓW.
- NACIŚNIJ PRZYCISK "PLAY/ PAUSE" ABY URUCHOMIĆ ODTWARZANIE PIERWSZEGO UTWORU (NA WYŚWIETLACZU UKAŻE SIĘ NUMER ODTWARZANEGO UTWORU).
- W DOWOLNYM MOMENCIE ODTWARZANIA NACIŚNIJ PRZYCISK „NEXT” LUB „BACK” ABY PRZEJŚĆ DO NASTĘPNEGO/POPRZEDNIEGO UTWORU.

**ODTWARZANIE UTWORÓW Z PAMIĘCI USB / KARTY PAMIĘCI**

- URZĄDZENIE JEST WYPOSAŻONE W PORT USB UMOŻLIWIAJĄCY PODŁĄCZENIE I ODTWARZANIE UTWORÓW MP3 Z PAMIĘCI USB
- URZĄDZENIE JEST KOMPATYBILNE Z WERSJĄ USB 1.1 I 2.0.
- URZĄDZENIE JEST WYPOSAŻONE W CZYTNIK KART SD UMOŻLIWIAJĄCY ODTWARZANIE UTWORÓW MP3 Z KARTY SD (UWAGA: MAKSYMALNA POJEMNOŚĆ KARTY SD TO 16 GB).
- UMIEŚĆ PAMIĘĆ USB LUB KARTĘ PAMIĘCI W ODPOWIEDNIM GNIEZDZIE.
- USTAW TRYB NA "USB/ SD" ODPOWIEDNIO.
- URZĄDZENIE AUTOMATYCZNIE ROZPOCZNIE ODTWARZANIE, ZACZYNAJĄC OD PIERWSZEGO UTWORU NA NOŚNIKU.
- KONTROLA ODTWARZANIA (PLAY, PAUSE, BACK, NEXT, STOP) DZIAŁA W TEN SAM SPOSÓB JAK W PRZYPADKU PŁYT CD-MP3.
- ISTNIEJE RÓWNIEŻ MOŻLIWOŚĆ ZAPROGRAMOWANIA SEKWENCJI ODTWARZANYCH UTWORÓW (DO 99 UTWORÓW) JAK OPISANO W ROZDZIALE: „PROGRAMOWANIE ODTWARZANIA”.

- **UWAGA:**
- POMIMO TEGO, ŻE URZĄDZENIE JEST W PEŁNI KOMPATYBILNE ZE STANDARDAMI USB 1.1 I 2.0, ISTNIEJE NIEWIELKA GRUPA URZĄDZEŃ, KTÓRE NIE SĄ W PEŁNI KOMPATYBILNE ZE STANDARDAMI 1.1 I 2.0 I MOGĄ NIE WSPÓŁPRACOWAĆ Z URZĄDZENIEM.

CZAS ODCZYTU UTWORÓW ZAPISANYCH NA NOŚNIKACH PAMIĘCI ZEWNĘTRZNEJ UZALEŻNIONY JEST OD PRĘDKOŚCI NOŚNIKA ZEWNĘTRZNEGO ORAZ ILOŚCI ZAPISANYCH NA NIM PLIKÓW.

**WAŻNE**

PRZED WYŁĄCZENIEM URZĄDZENIA LUB ZMIANĄ TRYBU NA CD / RADIO, NALEŻY WYSUNĄĆ NOŚNIK PAMIĘCI ZEWNĘTRZNEJ.

URZĄDZENIE NIE OBSŁUGUJE ODTWARZACZY Mp3 Z WTYCZKĄ USB. DO GNIAZDA USB URZĄDZENIA MOŻNA PODŁĄCZAĆ JEDYNIENIE NOŚNIKI PAMIĘCI ZEWNĘTRZNEJ TZW. PENDRIVY.

**WAŻNE!**

NIE NALEŻY UŻYWAĆ KABLI PRZEDŁUŻAJĄCYCH DO PODŁĄCZENIA PAMIĘCI USB DO PORTU USB. UŻYCIĘ TAKIEGO KABLA MOŻE WPROWADZIĆ DODATKOWE ŻAKŁÓCENIA I POGORSZYĆ LUB UNIEMOŻLIWIĆ PRZEPŁYW DANYCH. ZAWSZE PODŁĄCZAJ PAMIĘĆ USB BEZPOŚREDNIO DO GNIAZDA.

UWAGA: URZĄDZENIE OBSŁUGUJE NOŚNIKI PAMIĘCI ZEWNĘTRZNEJ O MAKSYMALNEJ POJEMNOŚCI DO 16 GB.

## PROGRAMOWANIE ODTWARZANIA

- ODTWARZACZ MOŻNA ZAPROGRAMOWAĆ ABY ODTWARZAŁ UTWORY W OKREŚLONEJ KOLEJNOŚCI (DO 20 UTWORÓW DLA CD-AUDIO I 99 UTWORÓW DLA CD-MP3).
- ZATRZYMAJ ODTWARZANIE PRZED ROZPOCZĘCIEM PROGRAMOWANIA.
- NACIŚNIJ PRZYCIISK "PROGRAM", NA WYŚWIETLACZU UKAŻE SIĘ SYMBOL "P01" (LITERA "P" BĘDZIE MIGAĆ) OZNACZAJĄCY, ŻE URZĄDZENIE JEST W TRYBIE PROGRAMOWANIA NA PIERWSZEJ POZYCJI.
- ZA POMOCĄ PRZYCIISKÓW „BACK” I „NEXT” WYBIERZ NUMER UTWORU, KTÓRY CHCESZ ZAPROGRAMOWAĆ NA PIERWSZEJ POZYCJI A NASTĘPNIE POTWIERDŹ WYBÓR NACISKAJĄC PRZYCIISK "PROGRAM".
- PO NACIŚNIĘCIU PRZYCIISKU "PROGRAM" URZĄDZENIE PRZEJDZIE DO PROGRAMOWANIA UTWORU NA KOLEJNEJ POZYCJI ("P02").
- POWTÓRZ DWA POWYŻSZE KROKI ABY ZAPISAĆ WSZYSTKIE UTWORY.
- PO ZAPISANIU ŻĄDANEJ SEKWENCJI ODTWARZANIA, NACIŚNIJ PRZYCIISK „PLAY” ABY URUCHOMIĆ ODTWARZANIE.
- ABY USUNĄĆ WPROWADZONĄ SEKWENCJĘ ODTWARZANIA, NACIŚNIJ PRZYCIISK „STOP” DWUKROTNIE LUB WYŁĄCZ URZĄDZENIE.

## OPCJE ODTWARZANIA


- ABY ZMIENIĆ TRYB ODTWARZANIA, NALEŻY:
- NACISNĄC PRZYCIISK REP./RAND./MEM UP KILKUKROTNIE I WYBRAĆ ODPOWIADAJĄCĄ OPCJĘ:

  1. REPEAT (POWTÓRZ): POWTARZANIE OBECNIE ODTWARZANEGO UTWORU
  2. REPEAT FOLDER (POWTÓRZ FOLDER): POWTARZANIE OBECNIE ODTWARZANEGO FOLDERU (TYLKO DLA PILKÓW Mp3 POGRUPOWANYCH W FOLDERY).
  3. REPEAT ALL (POWTÓRZ WSZYSTKIE): POWTARZANIE WSZYSTKICH UTWORÓW.
  4. RANDOM (LOSOWE): LOSOWE ODTWARZANIE WSZYSTKICH UTWORÓW.

## WEJŚCIE LINIOWE AUX-IN

- DO URZĄDZENIA MOŻNA PODŁĄCZYĆ WYJŚCIE AUDIO ZEWNĘTRZNEGO ODTWARZACZA (NA PRZYKŁAD ODTWARZACZA MP3). UMOŻLIWIA TO ODTWARZANIE MUZYKI Z INNEGO ŹRÓDŁA.
- PODŁĄCZ WYJŚCIE SŁUCHAWKOWE LUB AUDIO-OUT ODTWARZACZA ZEWNĘTRZNEGO Z WEJŚCIEM AUX-IN URZĄDZENIA UŻYWAJĄC KABLA JACK 3.5MM - JACK 3.5MM (KABEL NIE DOŁĄCZONY DO ZESTAWU).
- USTAW PRZEŁĄCZNIK TRYBU NA "AM/ FM/ AUX".
- WŁĄCZ ODTWARZACZ ZEWNĘTRZNY (NP. ODTWARZACZ MP3).
- URUCHOM ODTWARZANIE (ODTWARZACZ ZEWNĘTRZNY) ORAZ USTAW ŻĄDANY POZIOM GŁOŚNOŚCI NA URZĄDZENIU.
- PRZED ROZŁĄCZENIEM ZESTAWU WYŁĄCZ OBA URZĄDZENIA.

## SPECYFIKACJA

ZASILANIE :	AC 230V ~ , 50Hz DC 9V  (6 BATERII C-CELL/ UM-2/ LR14) (BATERIE NIE DOŁĄCZONE)
POBÓR ENERGII :	22W
MOC WYJŚCIOWA NA KANAŁ :	1.8W x 2
CZĘSTOTLIWOŚĆ :	FM 87.5 - 108 MHz

NIE NALEŻY STAWIAĆ NA URZĄDZENIU (LUB W JEGO POBLIŻU) ŻADNYCH POJEMNIKÓW Z CIECZAMI, KTÓRE MOGŁY BY ZAŁAĆ URZĄDZENIE I DOPROWADZIĆ DO JEGO USZKODZENIA .

ETYKIETA JEST UMIESZCZONA NA TYLNEJ OBUDOWIE URZĄDZENIA.

WTYCZKA ZASILAJĄCA PEŁNI FUNKCJĘ GŁÓWNEGO WŁĄCZNIKA / WYŁĄCZNIKA URZĄDZENIA I POWINNA BYĆ UMIESZCZONA W ŁATWO DOSTĘPNYM MIEJSCU. CAŁKOWITE ODCIĘCIE ZASILANIA JEST MOŻLIWE WYŁĄCZNIE POPRZEC ODŁĄCZENIE WTYCZKI ZASILAJĄCEJ OD GNIAZDA ZASILANIA.

SŁUCHANIE ZBYT GŁOŚNEJ MUZYKI NA SŁUCHAWKACH MOŻE SPOWODOWAĆ POGORSZENIE LUB UTRATĘ SŁUCHU.

BATERIE NIE POWINNY BYĆ PODDAWANE DZIAŁANIU NADMIERNEJ TEMPERATURY (BEZPOŚREDNIE DZIAŁANIE PROMIENI SŁONECZNYCH LUB BLISKOŚĆ ŹRÓDŁA CIEPŁA).

W PRZYPADKU POJAWIENIA SIĘ WYŁADOWANIA ELEKTROSTATYCZNEGO NA METALOWEJ CZĘŚCI URZĄDZENIA BĄDŹ PORCIE URZĄDZENIE MOŻE ZOSTAĆ WYŁĄCZONE LUB URUCHOMIONE PONOWNIE. RESTART URZĄDZENIA (WYŁĄCZENIE I PONOWNE WŁĄCZENIE ZASILANIA) POWINIEN PRZYWRÓCIĆ PRAWIDŁOWY TRYB PRACY.

SPECYFIKACJE PRODUKTU MOGĄ ULEC ZMIANIE.



Poland  
Prawidłowe usuwanie produktu  
(zużyty sprzęt elektryczny i elektroniczny)



Polski

Oznaczenie umieszczone na produkcie lub w odnoszących się do niego tekstach wskazuje, że po upływie okresu użytkowania nie należy usuwać z innymi odpadami pochodzącymi z gospodarstw domowych. Aby uniknąć szkodliwego wpływu na środowisko naturalne i zdrowie ludzi wskutek niekontrolowanego usuwania odpadów, prosimy o oddzielenie produktu od innego typu odpadów oraz odpowiedzialny recykling w celu promowania ponownego użycia zasobów materialnych jako stałej praktyki. W celu uzyskania informacji na temat miejsca i sposobu bezpiecznego dla środowiska recyklingu tego produktu użytkownicy w gospodarstwach domowych powinni skontaktować się z punktem sprzedaży detalicznej, w którym dokonali zakupu produktu, lub z organem władz lokalnych. Użytkownicy w firmach powinni skontaktować się ze swoim dostawcą i sprawdzić warunki umowy zakupu. Produkt nie należy usuwać razem z innymi odpadami komercyjnymi.

Wyprodukowano w CHRL dla LECHPOL Zbigniew Leszek, Miętne ul. Garwolińska 1, 08-400 Garwolin.



Simbolul de mai sus avertizeaza utilizatorul cu privire la prezenta unor "tensiuni periculoase".

## CAUTION

RISK OF ELECTRIC SHOCK  
DO NOT OPEN

AVERTISMENT: Pentru a reduce riscul unui soc electric nu indepartati capacul (partea din spate). In interior nu se gasesc componente utile. Consultati personalul calificat cu privire la intretinere.



Simbolul de mai sus va avertizeaza in ceea ce priveste instructiunile ce insotesc produsul.

**AVERTISMENT: PENTRU A REDUCE RISCUL UNUI INCENDIU SAU A UNUI SOC ELECTRIC, FERITI DISPOZITIVUL DE UMEZEALA.**

CONECTAREA LA RESEA SE FOLOSESTE CA SI DISPOZITIV DE DECONECTARE SI TREBUIE SA FIE USOR OPERABILA. PENTRU A FI COMPLET DECONECTATA DE LA ALIMENTARE, CONECTAREA LA RESEA A APARATULUI TREBUIE DECONECTATA TOTAL DE LA RESEA.



**ATENTIE**  
FERITI DE UMEZEALA!

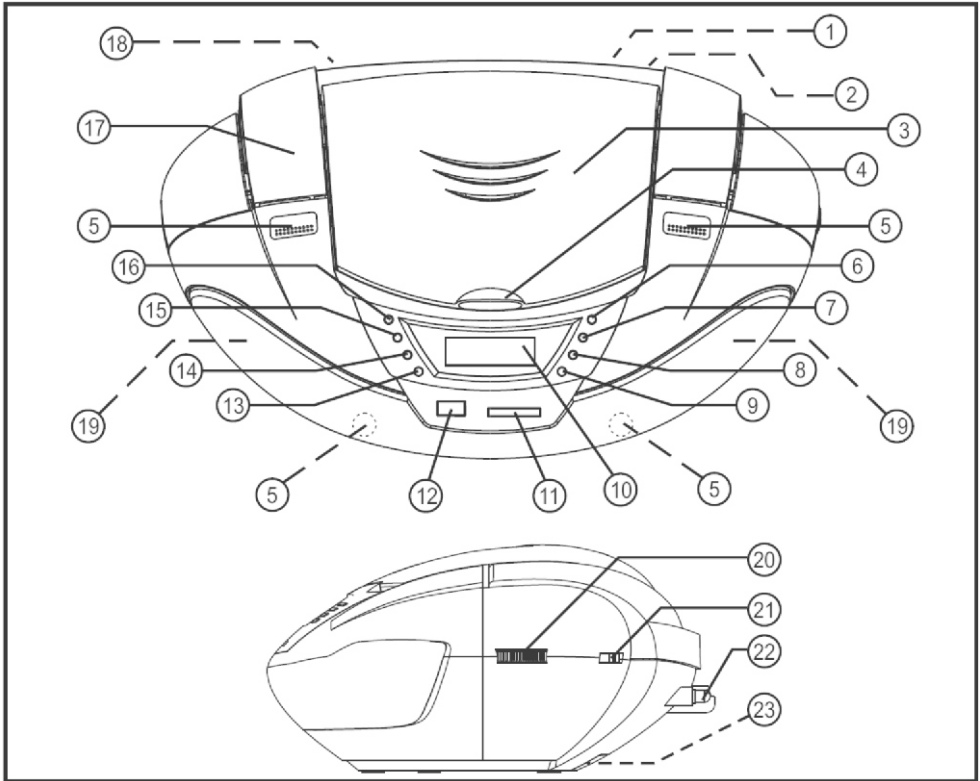
**ATENTIE:** VERIFICATI INAINTE DE UTILIZAREA PRODUSULUI DACA TENSIUNEA DE LA RESEA CORESPUNDE CU CERINTELE APARATULUI SI DACA MUFA DE ALIMENTARE A APARATULUI ESTE COMPATIBILA CU PRIZA DE PERETE.

**NOTA:** SIMBOLURILE DE AVERTIZARE SUNT IMPRIMATE PE SPATELE APARATULUI. CONSULTATI MANUALUL

**ATENTIE:** RADIATII LASER INVIZIBILE CAND APARATUL ESTE DESCHIS. EVITATI EXPUNEREA LA IRADIERI.



PRODUS LASER CLASA 1



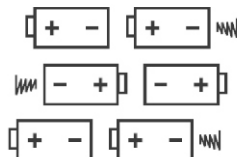
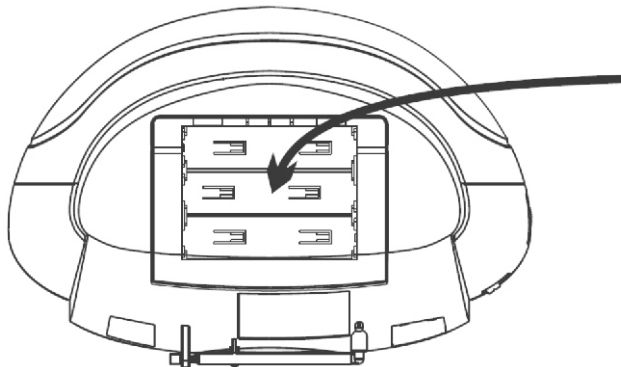
1. MUFA CASTI (IN PARTEA DIN SPATE A APARATULUI)  
 2. MUFA INTRARE AUX ( IN PARTEA DIN SPATE A APARATULUI)  
 3. COMPARTIMENT CD  
 4. USA CD  
 5. 4 X TWEETERE  
 6. REDARE/PAUZA/TASTA USB  
 7. STOP/ TASTA CARD SD  
 8. TASTA MARIRE VOLUM  
 9. TASTA REDUCERE VOLUM  
 10. AFISAJ LCD DIGITAL  
 11. MUFA CARD SD  
 12. MUFA DISPOZITIV USB  
 13. PROGRAMARE/TASTA REPETARE/RANDOM

14. TASTA MERS INAPOI  
 15. TASTA PIESA URMATOARE  
 16. TASTA PORNIRE/STANDBY/FUNCTIONARE  
 17. MANER  
 18. MUFA AC (IN PARTEA DIN SPATE)  
 19. DIFUZOARE PRINCIPALE (STANGA & DREAPTA)  
 20. COMUTATOR ECONOMIRE BATERIE  
 21. ANTENA TELESCOPICA  
 22. DESCHIDERE COMPARTIMENT BATERIE (SUB APARAT).

**ALIMENTARE****FUNCTIONARE BATERIE**

- DESCHIDETI PORTITA COMPARTIMENTULUI PENTRU BATERII SI INTRODUCETI 6 BATERII "C-CELL" (UM-2/LR14). VERIFICATI CA POLARITATEA BATERIILOR SA FIE CORECTA, IN CAZ CONTRAR APARATUL NU VA FUNCTIONA.

IMPORTANT: CAND APARATUL ESTE SETAT DOAR PE AC, SAU CAND NU ESTE FOLOSIT TIMP DE 4 SAPTAMANI SAU MAI MULT, SCOATETI BATERIILE, PENTRU A EVITA DETERIORAREA DATORATA SCURGERII ACESTORA.



**UM-2/"C"/LR14  
(1.5V) SIZE x6 PCS**

**NOTA:**

ACEST APARAT ARE O FUNCȚIE DE "ECONOMISIRE A BATERIEI". PENTRU A ECONOMISI ENERGIA BATERIEI, APASATI ACEST COMUTATOR (20). UNITATEA NU VA TRAGE CURENT DE LA BATERIE CARE VA PRELUNGI VIAȚAA BATERIEI CÂND NU ESTE UTILIZAT. VA RUGAM RETINETI, DACA FUNCTIA DE ECONOMISIRE A BATERIEI ESTE PORNITA, CEASUL (SETARILE DE ORA) SI RADIO (POSTURILE PRESETATE) VOR FI STERSE.

**FUNCTIONAREA DE LA REȚEA (TRANSFORMATOR INCLUS)**

- ASIGURATI-VA CA TENSIUNEA DE ALIMENTARE NECESARA APARATULUI CORESPUNDE CU CEAA DE LA REȚEA.
- CABLUL AC ESTE DETASABIL SI POATE FI GASIT FIE IN CUTIA ORIGINALA, FIE IN INTERIORUL COMPARTIMENTULUI PENTRU BATERII SUB APARAT
- INTRODUCETI MUFA CABLULUI AC IN PRIZA DE PERETE.
- INTRODUCETI EXTREMITATEA CABLULUI AC IN MUFA AC DIN SPATELE APARATULUI.

**SISTEM DE ECONOMISIRE ENERGIE**

- ACEST SET ARE UN SISTEM DE GESTIONARE A ENERGIEI ÎNCORPORAT CARE INTRA AUTOMAT IN " MODUL STANDBY " PENTRU A ECONOMISI ENERGIE ATUNCI CÂND DETECTEAZĂ CA ACESTA NU ESTE UTILIZAT.

- ACESTA SYSTEM AUTOMAT INTRA IN "MODUL STANDBY" DUPA APROXIMATIV 10-15 DE MINUTE, DUPĂ URMĂTOARELE CIRCUMSTANȚE.

(A) MOD „CD”: CD NU MAI REDA

(B) MOD „USB”: REDAREA USB SA OPRIT.

(C) MOD „CARD”: REDAREA CARD SA OPRIT.

(D) MOD „AUX”: NU ESTE SEMNAL DE LA INTRARE AUX JACK.

PENTRU A REPORNI UNITATEA DUPĂ CE A INTRAT IN MODUL STANDBY, APĂSAȚI BUTONUL ON SAU STANDBY.

## FUNCȚIA DE CEAS DIGITAL

- APARATUL ARE UN CEAS INCORPORAT, CARE ESTE AFISAT ATUNCI CAND APARATUL INTRA IN "STANDBY" (ECRANUL VA AFISA ORA ACTUALA) IN ACEST CAZ LUMINA DE FUNDAL ALBASTRU ESTE ESTOMPAT(PENTRU A ECONOMISE ENERGIE)

### SETAREA CORECTA A CEASULUI:

COMUTATI PE MODUL "STAND-BY"

↓  
APASATI SI TINETI APASATA TASTA **CLOCK SET/SETARE CEAS** TIMP DE 2 SECUDE AFISAJUL INDICA „12" ORE SAU „24" ORE (PALPAIND))

↓  
APASATI TASTA **TUNE+** SAU **TUNE-** PENTRU A SELECTA SETAREA PENTRU 12-ORE SAU 24-ORE , APASATI TASTA **CLOCK SET/SETARE CEAS** PENTRU CONFIRMARE

↓  
APASATI TASTA **TUNE+** SAU **TUNE-** IN MOD REPETAT PENTRU A SETA **ORA** CORECTA PE AFISAJ SI APASATI TASTA **CLOCK SET/SETARE CEAS** PENTRU CONFIRMARE

↓  
APASATI TASTA **TUNE+** SAU **TUNE-** IN MOD REPETAT PENTRU A SETA **MINUTELE** PE AFISAJ SI APASATI TASTA **CLOCK SET/SETARE CEAS** PENTRU CONFIRMARE.

↓  
ORA SI MINUTELE SUNT ASTFEL CORECT SETATE SI VOR FI AFISATE!

\* NOTA: CÂND CEASUL DIGITAL NU ESTE SETAT, AFIȘAJUL CEAS DIGITAL SE APRINDE INTERMITENT, PENTRU A INDICA FAPTUL CĂ ORA CORECTĂ NU ESTE ÎNCĂ STABILIT.

## CONTROLUL ELECTRONIC AL VOLUMULUI

- ACEST APARAT UTILIZEAZA O COMANDA ELECTRONICAA VOLUMULUI (APASATI BUTONUL)

- PENTRU A MARI SAU A REDUCE SONORUL APARATULUI, APASATI BUTONUL PENTRU MARIREA VOLUMULUI (VOL+) SAU BUTONUL PENTRU REDUCEREA VOLUMULUI (VOL-)

- ELIBERATI BUTONUL CAND NIVELUL VOLUMULUI ESTE CEL DORIT.

- UNEORI, IN SPECIAL IN TIMP CE ASCULTATI RADIOUL, VETI AUZI UN SUNET (REPETITIV) "CLICK-CLICK-CLICK" CAND MARITI SAU REDUCETI VOLUMUL. ACEASTA ESTE SETAREA NORMALA SI SUNETUL VA DISPAREA CAND ELIBERATI TASTA PENTRU VOLUM (CAND ATINGETI NIVELUL DORIT AL VOLUMULUI).

## FUNCTIONARE RADIO

- APASATI TASTA "ON/STANDBY" O DATA PENTRU A PORNI APARATUL.

- APASATI TASTA "FUNCTION" IN MOD REPETAT PENTRU A SELECTA LUNGIMEA DE ONDA DORITA

- REGLATI ANTENA TELESCOPICA SI POZITIA ACESTEIA PENTRU A OBTINE CEA MAI BUNA RECEPTIE

- FOLOSITI TASTA PLAY/PAUSE/FM MODE PENTRU PENTRU A SELECTA MODUL DORIT (FM MONO/STEREO)

- IN UNELE CAZURI, CAND SEMNALUL ESTE SLAB, SE RECOMANDA SELECTAREA MODULUI "MONO" PENTRU A IMBUNATATI CLARITATEA SEMNALULUI RADIO.

### SCANARE AUTOMATA SI SALVARE (MEMORARE POSTURI RADIO PRESETATE)

- APASATI SI TINETI APASAT (TIMP DE 2 SECUDE) TASTELE „FM MODE", UNITATEA VA SCANA AUTOMAT TOATE FRECVENȚELE ȘI VA SALVA PRIMELE 30 POSTURI RADIO MEMORATE.

**REGLAREA MANUALA A FRECVENTEI (MODUL SCANARE)**

- APASATI (SI ELIBERATI IMEDIAT) TASTA **NEXT** SAU **BACK** PENTRU "SCANAREA" (REGLARE MANUALA) FRECVENTEI RADIO "SUS" SAU "JOS" DOAR UN PAS O DATA.
- AFISAJUL RADIO DIGITAL VA INDICA FRECVENTA EXACTA LA FIECARE PAS
- CAND ATI ATINS O FRECVENTA DORITA SAU UN POST DE RADIO, IL PUTETI SALVA PE UNA DINTRE POZITIILE DE "MEMORARE". (VEZI SECTIUNEA "MEMORIE RADIO")

**REGLAREA AUTOMATA A FRECVENTEI (MODUL DE CAUTARE)**

- APASATI SI TINETI APASATE (TIMP DE 2 SECUNDE) TASTELE **NEXT** SAU **BACK** PENTRU A "CAUTA" (REGLARE AUTOMATA) FRECVENTA RADIO "SUS" SAU "JOS" LA URMATORUL POST RADIO DISPONIBIL.
- AFISAJUL DIGITAL VA INDICA FRECVENTA EXACTA A URMATORULUI POST GASIT
- CAND UN POST RADIO ESTE GASIT, ACESTA POATE FI SALVAT PE UNA DINTRE POZITIILE DE "MEMORARE". (VEZI SECTIUNEA "MEMORIE RADIO")

**MEMORIE RADIO (MEMORARE POSTURI RADIO PRESETATE)**

- POSTUL RADIO AFISAT IN MOD CURENT SAU FRECVENTA POT FI ORICAND MEMORATE PE UNA DINTRE POZITIILE DIN MEMORIE
- APASATI TASTA "MEM/PROGRAM" O DATA
- APASATI TASTELE "MEM UP" PENTRU A SELECTA POZITIA DORITA. (EXISTA 30 POZITII DE MEMORARE PENTRU FRECVENTA FM).
- APASATI TASTA "MEM/PROGRAM" O DATA PENTRU A SALVA POSTUL RADIO SELECTAT PE POZITIA SELECTATA DE MEMORARE.
- PENTRU A REVENI LA O POZITIE MEMORATA, APASATI DOAR "MEM UP" LUNGIMEA DE UNDA SALVATA VA FI REVOCATA.
- PENTRU A GOLI MEMORIA, SALVATI DOAR UN NOU POST RADIO PE ACEEASI POZITIE MEMORATA.

**INTRODUCEREA SI SCOATEREA DISCURILOR**

- CAND DESCHIDETI CLAPETA PENTRU INTRODUCEREA CD-URILOR, ASIGURATI-VA CA DISCUL NU SE INVARTE. APASATI TASTA "STOP" PENTRU A OPRI INTAI DISCUL.
- ASEZATI UN COMPACT DISC CD CU ETICHETA IN SUS (PARTEA PRINTATA A DISCULUI) INDREPTATA SPRE EXTERIOR. APASATI IN JOS IN MIJLOCUL DISCULUI PANA CAND DISCUL "SE BLOCHEAZA" PE AXUL DIN MIJLOC.
- CAND CD-UL A FOST ASEZAT IN MIJLOCUL AXULUI, LASATI USOR IN JOS CAPACUL PANA CAND SE BLOCHEAZA
- CD-UL ESTE ACUM GATA SA FIE ASCULTAT
- PENTRU A SCOATE DISCUL, URMATI ACEEASI METODA CA SI CEA DESCRISA MAI SUS, DAR IN LOC DE A INTRODUCEREA CD-UL IN COMPARTIMENT, SCOATETI-L, ASEZAND UN DEGET IN MIJLOCUL DISCULUI (AXUL CENTRAL) SI CELALALT DEGET PE MUCHIA DISCULUI SI TRAGETI-L INCET IN SUS.
- IMPORTANT: TINETI INTOTDEAUNA UN CD DE MARGINI. EVITATI SA LASATI AMPRENTE, PETE SAU MURDARIE PE SUPRAFATA DISCULUI. IN CAZUL IN CARE ACEST LUCRU SE INTAMPLA, FOLOSITI UN MATERIAL SPECIAL PENTRU CURATAREA CD-URILOR SAU UN KIT DE CURATARE PENTRU A INDEPARTA MURDARIA SAU PETELE.

**FUNCTIONAREA NORMALA A CD-URILOR**

- APASATI TASTA "PORNIRE/STANDBY" PENTRU A PORNI APARATUL
- INTRODUCETI UN CD ASA CUM ESTE DESCRIS MAI SUS
- APASATI TASTA "FUNCTIE" IN MOD REPETAT PANA CAND PE AFISAJ VA APAREA SIMBOLUL "CD"
- CD-UL SE VA ROTI SI AFISAJUL VA INDICA NUMARUL TOTAL AL PIESELOR DE PE DISC
- APASATI TASTA "REDARE/PAUZA/USB", PRIMA PIESA VA PORNI. AFISAJUL VA INDICA NUMARUL PIESEI CURENTE ("001" DACA ESTE PRIMA PIESA)



- ORICAND IN TIMPUL REDARII, APASATI TASTA "REDARE/PAUZA/USB" PENTRU A INTRERUPE FUNCTIONAREA APARATULUI. APASATI TASTA "REDARE/PAUZA/USB" INCA O DATA PENTRU A RELUA FUNCTIONAREA DE LA ACEEASI MELODIE SI ACEEASI POZITIE.
- ORICAND IN TIMPUL REDARII, APASATI TASTA "STOP/CARD SD" PENTRU A OPRI FUNCTIONAREA APARATULUI. APARATUL VA INCEPE DIN NOU REDAREA DE LA PRIMA PIEASA (DACA APASATI REDARE DUPA CE ATI INTRERUPT, PRIMA PIEASA FI INTOTDEAUNA REDATA).
- ORICAND IN TIMPUL REDARII, APASATI SI ELIBERATI TASTELE BACK SAU NEXT SAU PENTRU A SARI INAINTE SAU INAPOI O PIEASA, DUPA CUM DORITI
- ORICAND IN TIMPUL REDARII, APASATI SI TINETI APASAT TASTELE BACK SAU NEXT SAU PENTRU A DERULA INAINTE SAU INAPOI (PENTRU A ASCULTA INCA O DATA) O ANUMITA PIEASA CE SE AFLA IN DERULARE.

### REDAREA DISCURILOR MP3

- INTRODUCETI UN CD CU MUZICA MP3 IN CD-PLAYER SI INCHIDETI CLAPETA CD-PLAYER-ULUI
- APASATI TASTA FUNCTIE PENTRU A SELECTA "CD"
- DISCUL VA INCEPE SA SE ROTEASCA SI PRIMA PIEASA VA FI REDATA, ECRANUL VA AFISA NUMARUL PIESEI CURENTE ("001" DACA ESTE PRIMA PIEASA SI SE AFISEAZA DURATA PIESEI IN MINUTE SI SEUNDE
- APĂSAȚI SCURT BUTONUL "NEXT " SAU "BACK" PENTRU PIEASA URMĂTOARE SAU ANTERIOARĂ.
- ORICAND IN TIMPUL REDARII APASATI TASTA „STOP" PENTRU A OPRI FUNCTIONAREA APARATULUI. AFISAJUL VA INDICA NUMARUL PIESELOR IN TOTAL DE PE CD.

### REDAREA DE PE DISPOZITIVUL USB SI DE PE CARDUL SD

- APARATUL ESTE DOTAT CU MUFA USB CARE ACCEPTA SI REDA FISIERE MP3 STOCATE PE DISPOZITIVE USB STANDARD (CUNOSCUTE SI CA "STICK-URI DE MEMORIE") CARE SERVESC PENTRU STOCAREA MEMORIEI. (COMPATIBILE CU VERSIUNEA USB 1.1 & 2.0)
- ACEST APARAT DISPUNE DE ASEMENEA DE O MUFA SD INCORPORATA CARE ACCEPTA SI REDA FISIERE MP3 STOCATE PE CARDURI DE MEMORIE DE TIP SD STANDARD (CAPACITATE MAXIMA = 16GB!)
- GLISATI COMUTATORUL PE POZITIA "CD/MP3/USB/SD"
- PENTRU A AVEA ACEST AVANTAJ. INTRODUCETI INAINTE FIE UN STICK USB SAU UN CARD SD IN PORT-UL CORESPUNZATOR
- PENTRU UN DISPOZITIV USB: APASATI SI TINETI APASAT (TIMP DE 2 SEUNDE) TASTA "REDARE/PAUZA/USB" PE AFISAJ VA APAREA SIMBOLUL "USB" SI VETI PUTEA VEDEA DACA FISIERELE CU PIESE MP3 AU FOST GASITE
- PENTRU CARDUL SD: APASATI SI TINETI APASAT (TIMP DE 2 SEUNDE) TASTA "STOP/CARD" PE AFISAJ VA APAREA SIMBOLUL "SD" SI VETI PUTEA VEDEA DACA FISIERELE CU PIESE MP3 AU FOST GASITE
- IN CAZUL IN CARE GASITI FISIERE MP3, APARATUL VA INDICA TOTALUL PIESELOR. PRIMUL FISIER MP3 VA INCEPE REDAREA SI AFISAJUL VA INDICA INFORMATIILE PRIVIND NUMARUL PIESEI CA SI REDAREA MP3-CD
- CONTROL REDARE (REDARE, PAUZA, INAPOI, URMATORUL, STOP) ESTE LA FEL CU MP3-CD
- PUTETI DE ASEMENEA FOLOSI TASTA "SKIP +10/DIRECTOR" CA SI LA REDAREA MP3-CD
- PUTETI DE ASEMENEA PROGRAMA REDAREA A PANA LA 99 DE PIESE MP3, URMATI ACEEASI METODA CA SI CEA DESCRISA IN SECTIUNEA ANTERIOARA: "PROGRAMAREA CD-PLAYER-ULUI".

#### NOTA:

CU TOATE CA ACEST APARAT ESTE COMPATIBIL CU STANDARDELE USB 1.1 & 2.0, UN PROCENTAJ SCAZUT (APROX. 5%) DIN STICK-URILE USB NU POT FI CITITE, DIN CAUZA ACELOR PRODUCATORI DE STICK-URI USB CARE NU RESPECTA STANDARDELE USB 1.1/2.0.

DURATA DE CITIRE PENTRU UN DISPOZITIV USB SAU UN CARD SD VARIAZA IN FUNCTIE DE VITEZA DISPOZITIVULUI DE MEMORIE SI A NUMARULUI DE PIESE SI DIRECTOARE. IN UNELE CAZURI TIMPUL DE CITIRE POATE FI DE PANA A 60 DE SECUNDE!

#### IMPORTANT

OPRITI INTOTDEAUNA APARATUL SAU SCHIMBATI PE MODUL "CD" SAU "RADIO" INAINTE DE A SCOATE UN STICK USB SAU UN CARD SD, PENTRU A PREVENI DETERIORAREA DISPOZITIVULUI USB SAU A CARDULUI DE MEMORIE.

#### IMPORTANT

NU FOLOSITI CABLU USB PENTRU CONECTAREA STICK-ULUI DE MEMORIE USB LA PORTUL USB.  
ASTFEL DE CABLURI POT CAPTA INTERFERENTE SUPLIMENTARE CARE LA RANDUL LOR POT INGREUNA FLUXUL DE DATE, IMPIEDICAND FUNCTIONAREA NORMALA SI UTILIZAREA PORTULUI USB. CONECTATI INTOTDEAUNA STICK-UL DE MEMORIE DIRECT IN PORTUL USB FARAA MAI FI NEVOIE DE CABLURI PRELUNGITOARE USB

#### NOTA:

ACEST APARAT SUPORTA USB SI SD CARD DE MEMORIE DE MAXIM 16 GB.

### PROGRAMAREA CD-PLAYER-ului

- CD-PLAYER-UL POATE FI PROGRAMAT SA REDEA ORICE SECVENTA DE PANA LA 20 DE PIESE PENTRU CD-URI AUDIO/ 99 DE PIESE PENTRU MP3, DUPA CUM DORITI
- INTOTDEAUNA APASATI TASTA STOP INAINTE DE A INCEPE PROGRAMAREA
- APASATI TASTA "PROGRAMARE/REPETARE", PE AFISAJ VA APAREA "P01" SI SIMBOLUL "P" VA LUMINA, PENTRU A INDICA CA APARATUL SE AFLA ACUM PE "MODUL DE PROGRAMARE", LA PRIMA POZITIE.
- APASATI TASTELE "BACK" SAU "NEXT" PENTRU A SELECTA NUMARUL PIESEI PE CARE DORITI SA O MEMORATI PE PRIMA POZITIE SI APASATI TASTA "PROGRAMARE/REPETARE" PENTRU A CONFIRMA ALEGEREA FACUTA
- CAND APASATI TASTA "PROGRAMARE/REPETARE" AFISAJUL VA INAINTA LA UMRATOAREA POZITIE (EX "P02")
- REPETATI CEI 2 PASI DE MAI SUS, SELECTAND DE FIECARE DATA ORICE PIESA LA ALEGERE PENTRU A MEMORA LA POZITIILE SUCCESSIVE
- DUPA FIECARE NUMAR AL PIESEI, APASATI TASTA "PROGRAMARE/REPETARE"
- DUPA CE NUMARUL MAXIM (MINIM) DE PIESE A FOST SELECTAT ASA CUM E DESCRIS MAI SUS
- DE ASEMENEA, SIMBOLUL "P" VA LUMINA IN CONTINUARE PENTRU A INDICA FAPTUL CA ATI SALVAT O UN PROGRAM (SECVENTA)
- APASAND BUTONUL REDARE "SECVENTA SALVATA" VA FI REDATA DIN PROGRAM
- PENTRU A STERGE (ANULA) INTREGUL PROGRAM STOCAT IN MEMORIE, APASATI DOAR TASTA "STOP" SAU OPRITI APARATUL.

### REPETAREA FUNCTIEI DE REDARE

ORICAND IN TIMPUL REDARII:  
APASATI TASTA REP./RAND./MEM UP IN MOD REPETAT PENTRU A SELECTA URMATOARELE OPTIUNI:

1. REPEAT: PENTRU A REPETA PIESA CURENTA (AFISEAZA „REPEAT")
2. REPEAT FOLDER: PENTRU REPETAREA TUTUROR PIESELOR DE PE ALBUMUL (AFISEAZA „REPEAT FOLDER „)
3. REPEAT ALL: PENTRU REPETAREA TUTUROR PIESELOR (AFISEAZA „REPEAT ALL")
4. RANDOM: PENTRU REPETAREA TUTUROR PIESELELOR ÎN ORDINE ALEATORIE (AFISEAZA „RAND")

**FOLOSIREA LINIEI AUDIO DE INTRARE (INTRARE - AUX)**

- PUTETI CONECTA IESIREA AUDIO A UNUI DISPOZITIV EXTERN CUM AR FI UN MP3 LA APARAT, PENTRU A ASCULTA SUNETUL DISPOZITIVULUI CU AJUTORUL AMPLIFICATORULUI SISTEMULUI.
- PENTRU A CONECTA DISPOZITIVUL EXTERN FOLOSITI UN CABLU STANDARD PENTRU CASTI STEREO (3.5MM LA 3.5MM) PENTRU A CONECTA "IESIREA CASTILOR SAU IESIREA AUDIO" A APARATULUI LA MUFA INTRARII AUX A APARATULUI (CABLUL NU ESTE INCLUS).
- SETATI COMUTATORUL IN POZITIA "AM/FM/AUX"
- PORNITI DISPOZITIVUL EXTERN (EX: MP3 PLAYER)
- PORNITI REDAREA DISPOZITIVULUI EXTERN SI REGLATI VOLUMUL UNITATII CENTRALE LA NIVELUL DORIT
- RETINETI CA TREBUIE SA OPRITI ALIMENTAREA SISTEMULUI SI A DISPOZITIVULUI EXTERN CAND ATI TERMINAT DE FOLOSIT DISPOZITIVUL EXTERN.

**SPECIFICATII**

ALIMENTARE AC:	220-240 V AC, 50HZ 9V DC 6 BATERII C-CELL/UM-2/LR14) (BATERIILE NU SUNT INCLUSE)
CONSUM:	22 W
PUTERE IESIRE/CANAL:	1.8W X 2
FRECVENTA:	AM 522 – 1620 KHZ FM 87.5 – 108 MHZ

APARATUL TREBUIE FERIT DE UMEZEALA. NU ASEZATI OBIECTE CONTINAND LICHIDE PE APARAT.

MARCAJUL SI ETICHETA PRODUSULUI SE AFLA IN PARTEA DIN SPATE A APARATULUI. PENTRU A FI COMPLET DECONECTAT DE LA ALIMENTARE, SCOATETI APARATUL DIN PRIZA. PRODUSUL SE POATE DEFECTA SUB INFLUENTA FENOMENELOR ELECTROSTATICE. UN NIVEL PEA MARE AL VOLUMULUI IN CASTI POATE PROVOCA PIERDEREA AUZULUI. BATERIA TREBUIE FERITA DE SURSE DE CALDURA EXCESIVA, CUM AR FI LUMINA SOARELUI, FOC, ETC.

**AVERTISMENT IN PRIVINTA DESCARCARI ELECTROSTATICE**

CAND O DESCARCARE ELECTROSTATICA ARE LOC PE SUPRAFATA DE METAL SAU PLASTIC A APARATULUI, ACESTA S-AR PUTEA OPRI SI SE INCHIDE IMEDIAT. ACEST LUCRU ESTE NORMAL IN VEDEREA PROTEJARII APARATULUI SI A COMPONENTELOR INTERNE. IN ACEST CAZ, VA TREBUI SA IL RESETATI (DECONECTAND SI CONECTAND DIN NOU RETEA) PENTRU CA APARATUL SA REVINA LA FUNCTIONAREA NORMALA.



**Romania**  
**Reciclarea corecta a acestui produs**  
**(reziduuri provenind din aparatura electrica si electronica)**



Marcajale de pe acest produs sau mentionate in instructiunile sale de folosire indica faptul ca produsul nu trebuie aruncat impreuna cu alte reziduuri din gospodarie atunci cand nu mai este in stare de functionare. Pentru a preveni posibile efecte daunatoare asupra mediului inconjurator sau a sanatatii oamenilor datorate evacuării necontrolate a reziduurilor, vă rugăm să separați acest produs de alte tipuri de reziduuri și să-l reciclați în mod responsabil pentru a promova refolosirea resurselor materiale. Utilizatorii casnici sunt rugați să ia legătura fie cu distribuitorul de la care au achiziționat acest produs, fie cu autoritățile locale, pentru a primi informații cu privire la locul și modul în care pot depozita acest produs în vederea reciclării sale ecologice. Utilizatorii instituționali sunt rugați să ia legătura cu furnizorul și să verifice condițiile stipulate în contractul de vânzare. Acest produs nu trebuie amestecat cu alte reziduuri de natura comercială.



Das dreieckige Blitzsymbol mit Pfeilkopf weist den Benutzer auf das Vorhandensein von nicht isolierter „gefährlicher Spannung“ im Inneren des Gerätes hin, die ausreichen kann, um die Gefahr eines elektrischen Schlags

## CAUTION

RISK OF ELECTRIC SHOCK  
DO NOT OPEN

WARNUNG: Um die Gefahr eines elektrischen Schlags zu verringern, entfernen Sie nicht die Abdeckung (oder Rückseite) des Geräts. Keine vom Benutzer zu wartende Bauteile im inneren. Überlassen Sie die Wartung qualifiziertem Fachpersonal.



Das dreieckige Symbol mit dem Ausrufezeichen weist den Benutzer auf wichtige Bedienungs- und Wartungs- (Reparatur-) hinweise hin, die in dieser Bedienungsanleitung enthalten sind.

**WARNUNG:** UM DIE GEFAHR VON FEUER UND STROMSCHLAGGEFAHR ZU VERRINGERN, SETZEN SIE DIESES GERÄT NICHT TROPFENDEN ODER SPRITZENDEN FLÜSSIGKEITEN AUS.

**HINWEIS:** WARNSYMBOLS SIND AUF DER RÜCKSEITE DES GERÄTES GEDRUCKT. BITTE BEACHTEN SIE BEDIENUNGSANLEITUNG.



**WARNUNG:**  
SETZEN SIE DIESES GERÄT NICHT TROPFENDEN ODER SPRITZENDEN  
FLÜSSIGKEITEN AUS!

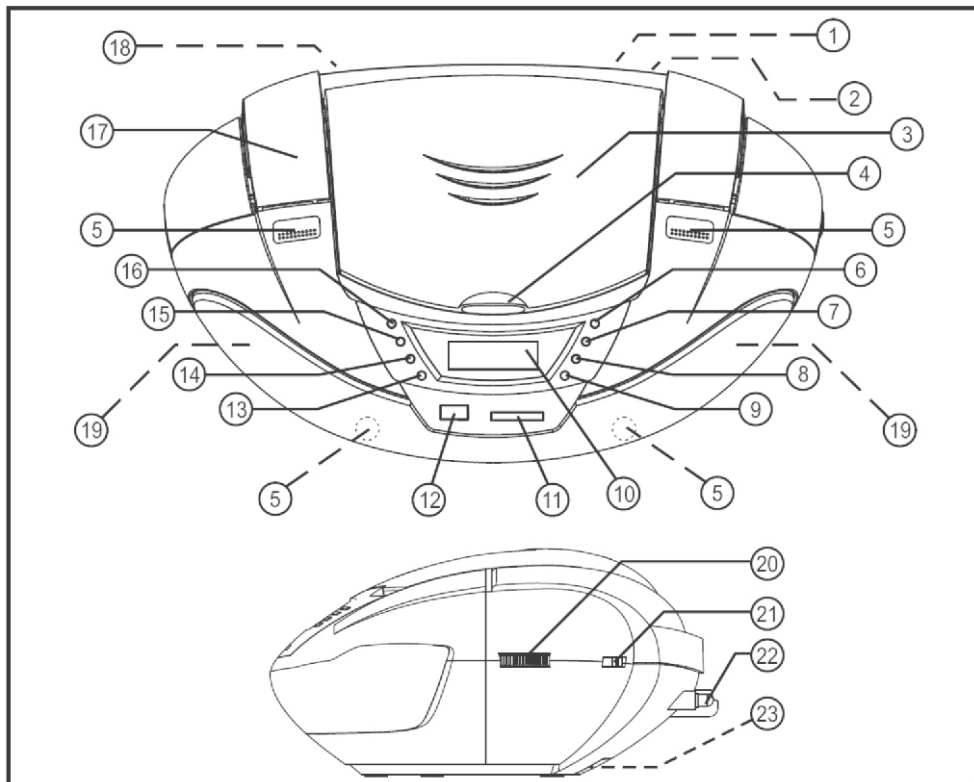
**ACHTUNG:** ALS VORSICHTSMASSNAHME VERGEWISSERN SIE SICH DASS DER STECKER MIT DER STECKDOSE ÜBEREINSTIMMT.

**ACHTUNG:** UNSICHTBARE LASERSTRAHLUNG BEIM ÖFFNEN UND BESEITIGEN DER SICHERHEITSVERRIEGELUNGEN. BLICKEN SIE AUF KEINEN FALL DIREKT IN DEN LASERSTRAHL.



LASERPRODUKT DER KLASSE 1

## ANORDNUNG DER BEDIENELEMENTE



1. KOPFHÖRERANSCHLUSS  
(AM HINTEREN TEIL DES GERÄTES)
2. AUDIO LINE IN BUCHSE  
(AM HINTEREN TEIL DES GERÄTES)
3. CD TÜR
4. FINGER-GRIFF CD TÜR
5. HOCHTON-LAUTSPRECHER X 4
6. TASTE WIEDERGABE/ PAUSE / FM-MODUS
7. TASTE STOPP/ SPEICHER/ PROGRAMM/ UHREINSTELLUNG
8. TASTE LAUTSTÄRKE ERHÖHEN
9. TASTE LAUTSTÄRKE VERRINGERN
10. DIGITALER LCD-BILDSCHIRM
11. SD-KARTENSTECKPLATZ

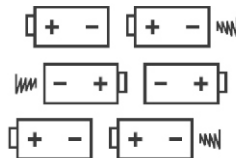
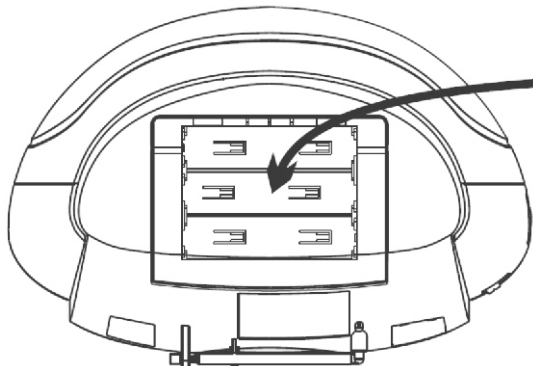
12. USB STECKPLATZ
13. TASTE WIEDERHOLUNG/ ZUFÄLLIG/ SPEICHER +
14. TASTE ZURÜCK/ FREQUENZ -
15. TASTE NÄCHSTE/ FREQUENZ +
16. TASTE EIN/ BEREITSCHAFT/ FUNKTIONSSCHALTER
17. GRIFF
18. AC BUCHSE (AM HINTEREN TEIL DES GERÄTES)
19. HAUPTLAUTSPRECHER (LINKS & RECHTS)
20. SCHALTER BATTERIESPAREN (EIN/AUS)
21. TELESKOP-ANTENNE
22. BATTERIEFACH  
(AM UNTEREN TEIL DES GERÄTES)

## STROMVERSORGUNG

### BATTERIEBETRIEB

- ÖFFNEN SIE DAS BATTERIEFACH UND LEGEN SIE 6 STÜCK „C-CELL“ (UM-2 / LR14 TYPE) BATTERIEN EIN. ACHTEN SIE DABEI AUF KORREKTE POLARITÄTEN ODER DAS GERÄT WIRD NICHT FUNKTIONIEREN.

- WICHTIG: WENN SIE DAS GERÄT NUR MIT WECHSELSTROM BENUTZEN, ODER FÜR 4 WOCHEN ODER MEHR NICHT VERWENDEN, BITTE NEHMEN SIE DIE BATTERIEN HERAUS, UM SCHÄDEN AM GERÄT DURCH AUSLAUFEN DER BATTERIEN ZU VERMEIDEN.



UM-2 / "C" / LR14  
(1.5V) SIZE x6 PCS

### HINWEIS:

DIESES GERÄT HAT EINE „BATTERIE-SCHONUNG“ FUNKTION. ZUR SCHONUNG DER BATTERIE VERWENDEN SIE DIESEN SCHALTER (20). DAS GERÄT WIRD KEINE ENERGIE VON DER BATTERIE VERWENDEN, DAS DIE LEBENSDAUER DER BATTERIE BEI NICHTGEBRAUCH ERHÖHT DIE. BITTE BEACHTEN SIE, DASS, WENN DIE BATTERIESPAR-FUNKTION VERWENDET WIRD, GEHT DIE UHRZEITEINSTELLUNG & RADIO-STATIONSSPEICHER VERLOREN.

### NETZBETRIEB (EINGEBAUTER TRANSFORMATOR)

- VERGEWISSERN SIE SICH DASS DIE SPANNUNG DES GERÄTES UND DIE DER STECKDOSE ÜBEREINSTIMMEN.
- DAS NETZKABEL IST ABNEHMBAR & KANN ENTWEDER INNERHALB DER PACKUNG ODER IM BATTERIEFACH UNTER DEM GERÄT GEFUNDEN WERDEN.
- STECKEN SIE DEN STECKER DES NETZKABELS IN EINE STECKDOSE MIT WECHSELSTROM.
- STECKEN SIE DAS HINTERE ENDE DES NETZKABELS FEST IN DEN STROM-ANSCHLUSS AM HINTEREN TEIL DES GERÄTES.

## INTELLIGENTES ENERGIESPARSYSTEM

- DIESES SET HAT EIN EINGEBAUTES ENERGIESPARSYSTEM, DAS AUTOMATISCH DAS SET IN EINEN „BEREITSCHAFTS-MODUS“ SCHALTET, UM STROM ZU SPAREN, WENN ES ERKENNT DASS DAS SET NICHT VERWENDET WIRD:
- DIESE AUTOMATISCHE UMSCHALTUNG AUF „BEREITSCHAFTS-MODUS“ WIRD ETWA. 10-15 MINUTEN NACH DEN FOLGENDEN UMSTÄNDEN AUFTRETEN:
  - (A) „CD“ MODUS: KEINE CD-WIEDERGABE MEHR (Z.B. AM ENDE EINER DISK).
  - (B) „USB“ MODUS: USB-WIEDERGABE HAT GESTOPPT.
  - (C) „KARTEN“ MODUS: KARTEN-WIEDERGABE HAT GESTOPPT.
  - (D) „AUX“ MODUS: KEIN EINGANGSSIGNAL AUF DEM AUX-EINGANG ERKANNT.
- UM DAS GERÄT WIEDER ZU AKTIVIEREN, NACHDEM ES AUTOMATISCH AUF „BEREITSCHAFTS-MODUS“ GESCHALTET HAT, EINFACH DIE TASTE „EIN / BEREITSCHAFT“ DRÜCKEN, UM DAS GERÄT WIEDER EINZUSCHALTEN.

## DIGITALE UHRFUNKTION

- DIESES SET HAT EINE EINGEBAUTE DIGITALE UHR, DIE ANGEZEIGT WIRD, WENN SICH DAS GERÄT IM „BEREITSCHAFTS-MODUS“ BEFINDET (AUF DEM DISPLAY ERSCHEINT KONTINUIERLICH DIE AKTUELLE UHRZEIT). IN DIESER SITUATION IST DIE BLAUE HINTERGRUNDBELEUCHTUNG NORMALERWEISE ABGEDUNKELT (UM STROM ZU SPAREN).

EINSTELLEN DER RICHTIGEN UHRZEIT:



EINSTELLEN DER RICHTIGEN UHRZEIT:



WÄHLEN SIE MIT TUNE+ ODER TUNE- 12-STUNDEN- ODER 24-STUNDEN-ANZEIGESYSTEM & DRÜCKEN „UHREINSTELLUNG“ UM IHRE AUSWAHL ZU BESTÄTIGEN



DRÜCKEN SIE WIEDERHOLT TUNE+ ODER TUNE-, UM DIE STUNDEN IM DISPLAY EINZUSTELLEN & DRÜCKEN „UHREINSTELLUNG“ UM IHRE AUSWAHL ZU BESTÄTIGEN



DRÜCKEN SIE WIEDERHOLT TUNE+ ODER TUNE-, UM DIE MINUTE IM DISPLAY EINZUSTELLEN & DRÜCKEN „UHREINSTELLUNG“ UM IHRE AUSWAHL ZU BESTÄTIGEN



KORREKTE UHRZEIT IST JETZT EINGESTELLT UND WIRD IM DISPLAY ANGEZEIGT!

\* HINWEIS: WENN DIE DIGITALUHR NICHT EINGESTELLT IST, BLINKT DIE DIGITALUHR-ANZEIGE KONTINUIERLICH UM ANZUZEIGEN, DASS DIE KORREKTE UHRZEIT NOCH NICHT EINGESTELLT IST.

## ELEKTRONISCHE LAUTSTÄRKEKONTROLLE

- DIESES GERÄT VERFÜGT ÜBER EINEN ELEKTRONISCHEN LAUTSTÄRKEREGLER (TASTENFELD).

- ZUM ERHÖHEN ODER VERRINGERN DER LAUTSTÄRKE DES GERÄTS, DRÜCKEN SIE ENTSPRECHEND DIE TASTE LAUTSTÄRKE ERHÖHEN (VOL +) ODER LAUTSTÄRKE VERRINGERN (VOL -).

- TASTE LOSLASSEN, WENN DIE GEWÜNSCHTE LAUTSTÄRKE ERREICHT WIRD.

- MANCHMAL, BESONDERS WÄHREND DAS RADIO SPIELT, WERDEN SIE, EINEN „KLICK-KLICK-KLICK“ (WIEDERHOLTEN) TON FESTSTELLEN, WENN SIE DIE LAUTSTÄRKE ERHÖHEN ODER VERRINGERN. DIES IST EIN NORMALER ZUSTAND & DER TON VERSCHWINDET, WENN SIE DIE LAUTSTÄRKETASTE LOSGELASSEN (WENN SIE DIE GEWÜNSCHTE LAUTSTÄRKE ERREICHT HABEN).

## RADIOBEDIENUNG

- DRÜCKEN SIE DIE TASTE „EIN/BEREITSCHAFT“ UM DAS GERÄT EINZUSCHALTEN

- DRÜCKEN SIE WIEDERHOLT DEN FUNKTIONSSCHALTER BIS „FM“ UND DIE SENDERFREQUENZ IM DISPLAY ANGEZEIGT WERDEN.

- RICHTEN SIE DIE TELESKOPANTENNE AUS UM DEN BESTEN EMPFANG ZU ERZIELEN.

- BENUTZEN SIE DIE TASTE „WIEDERGABE/ PAUSE/ FM MODUS“ ZUR AUSWAHL DES GEWÜNSCHTEN MODUS (FM MONO/STEREO).

IN EINIGEN FÄLLEN, WO DER EMPFANG SCHLECHT IST, KANN ES RATSAM SEIN, „MONO“ MODUS AUSZUWÄHLEN, UM DIE KLARHEIT DES FUNKSIGNALS ZU VERBESSERN.

## AUTOMATISCHE SUCHE UND SPEICHERUNG (AUTOMATISCHE STATIONSSPEICHERUNG)

- TASTE „FM MODUS“ DRÜCKEN & FÜR 2 SEKUNDEN HALTEN, DAS GERÄT DURCHSUCHT AUTOMATISCH ALLE FREQUENZEN UND SPEICHERT DIE ERSTEN 30 GEFUNDENE SENDER AUF EINEM SPEICHERPLATZ

## **MANUELLE FREQUENZEINSTELLUNG**

- TASTE „NÄCHSTE“ ODER „ZURÜCK“ KURZ DRÜCKEN, UM DIE RADIOFREQUENZ „AUFWÄRTS“ ODER „ABWÄRTS“ MANUELL MIT 1-STUFE NACH DER ANDEREN EINZUSTELLEN.
- DAS RADIO-DIGITALDISPLAY ZEIGT DIE GENAUE FREQUENZ AN BEI JEDER POSITION.
- WENN EINE GEWÜNSCHTE FREQUENZ ODER SENDER ERREICHT IST, KANN DIESE IN EINER DER „STATIONSSPEICHER“ GELAGERT WERDEN. (SIEHE ABSCHNITT „RADIOSPEICHER“).

## **AUTOMATISCHE FREQUENZ-EINSTELLUNG**

- TASTE „NÄCHSTE“ ODER „ZURÜCK“ DRÜCKEN & FÜR 2 SEKUNDEN HALTEN FÜR AUTOMATISCHE FREQUENZSUCHE „AUFWÄRTS“ ODER „ABWÄRTS“ BIS ZUM NÄCHSTEN VERFÜGBAREN RADIOSENDER.
- DAS RADIO-DIGITALDISPLAY ZEIGT DIE GENAUE FREQUENZ DES GEFUNDENEN SENDERS AN.
- WENN EIN GEWÜNSCHTER SENDER ERREICHT IST, KANN DIESE IN EINER DER „STATIONSSPEICHER“ GELAGERT WERDEN. (SIEHE ABSCHNITT „RADIOSPEICHER“).

## **RADIOSPEICHER (STATIONSSPEICHER)**

- JEDERZEIT, KANN DER AKTUELLE SENDER ODER FREQUENZ IN EINE DER SPEICHER GELAGERT WERDEN.
- TASTE „SPEICHER / PROGRAMM“ EINMAL DRÜCKEN.
- TASTE „SPEICHER +“ (AM GERÄT) DRÜCKEN ZUR AUSWAHL DER GEWÜNSCHTE SPEICHERPOSITION. (ES GIBT 30 SPEICHERPLÄTZE IM FM BAND).
- TASTE „SPEICHER / PROGRAMM“ EINMAL DRÜCKEN, UM DEN GEWÄHLTEN SENDER IN DIE AUSGEWÄHLTE SPEICHERPOSITION ZU LAGERN.
- ZUM ABSPIELEN EINES GESPEICHERTEN SENDERS, DRÜCKEN SIE EINFACH DIE TASTE „SPEICHER +“, DER GESPEICHERTEN RADIO-SENDER WIRD AUFGERUFEN.
- UM EINEN GESPEICHERTEN SENDER VON POSITION Y ZU LÖSCHEN, SPEICHERN SIE EINFACH EINEN NEUEN SENDER IN DIESELBE SPEICHERPOSITION.

## **EINLEGEN & HERAUSNEHMEN DER DISKS**

- BEIM ÖFFNEN DER CD-TÜR ACHTEN SIE IMMER DARAUF, DASS DIE DISK NICHT IN BEWEGUNG IST, BEVOR SIE DIE CD-TÜR ÖFFNEN. DRÜCKEN SIE VORHER IMMER DIE „STOPP“ TASTE ZUM BEENDEN DER DISKBEWEGUNG.
- LEGEN SIE EINE CD IN DAS FACH MIT DER BESCHRIFTETEN SEITE (BEDRUCKTE SEITE) NACH OBEN. DRÜCKEN SIE DEN MITTLEREN TEIL DER DISK HINUNTER, BIS DIE CD AUF DIE SPINDEL EINRASTET.
- WENN DIE CD EINGELEGT WURDE, VORSICHTIG DIE CD-TÜR NACH UNTEN DRÜCKEN, BIS SIE EINRASTET.
- DIE CD IST JETZT BEREIT FÜR DIE WIEDERGABE.
- ZUM ENTFERNEN DER DISK, FOLGEN SIE DAS GLEICHEN VERFAHREN WIE OBEN BESCHRIEBEN, NUR DAS DIE CD ENTFERNT WIRD, ANSTATT DIESE IN DAS FACH EINZULEGEN, INDEM SIE EINEN FINGER AUF DER MITTE DES DISK (SPINDEL) UND DIE ANDERE AM RAND DER CD LEGEN & SANFT NACH OBEN ZIEHEN.
- ACHTUNG: HALTEN SIE DIE CD IMMER AM RAND. DAMIT DIE OBERFLÄCHE DER CD SAUBER BLEIBT SOLLTE MAN DIE OBERFLÄCHE NICHT BERÜHREN UM ZU VERMEIDEN, DASS FINGERABDRÜCKE, FLECKEN ODER SCHMUTZ AUF DER OBERFLÄCHE EINER CD GELANGEN. FALLS DIES EINTRIT, VERWENDEN SIE EIN SPEZIELLES CD-REINIGUNGSTUCH ODER REINIGUNGSSSET, UM SCHMUTZ ODER FLECKEN ZU ENTFERNEN.



## NORMALE CD FUNKTIONEN

- DRÜCKEN SIE DIE TASTE „EIN/BEREITSCHAFT" UM DAS GERÄT EINZUSCHALTEN
- LEGEN SIE EINE CD EIN, WIE BESCHRIEBEN.
- DRÜCKEN SIE WIEDERHOLT DEN FUNKTIONSSCHALTER BIS „CD" IM DISPLAY ANGEZEIGT WERDEN.
- DIE CD BEGINNT SICH ZU DREHEN UND AM BILDSCHIRM WIRD DIE GESAMTZAHL DER TITEL AUF DER CD ANGEZEIGT.
- DRÜCKEN SIE DIE TASTE „WIEDERGABE / PAUSE / FM-MODUS", DER ERSTE TITEL WIRD ABGESPIELT. AM BILDSCHIRM ERSCHEINT DIE AKTUELLE TITELNUMMER. („001", WENN ES DER ERSTE TITEL IST).
- WÄHREND DER WIEDERGABE DRÜCKEN DER TASTE „WIEDERGABE / PAUSE/ FM-MODUS" FÜR ANHALTEN (PAUSE) DER WIEDERGABE. NOCHMALIGES DRÜCKEN BEENDET DIE PAUSE.
- WÄHREND DER WIEDERGABE, DRÜCKEN DER TASTE „STOPP" BEENDET DIE WIEDERGABE. DAS DISPLAY ZEIGT DIE GESAMTANZAHL DER TITEL (MELODIEN) DER DISK. BEI DRÜCKEN DER TASTE „WIEDERGABE" BEGINNT DAS ABSPIELEN MIT DER ERSTEN MELODIE DER CD.
- DRÜCKEN SIE KURZ DIE TASTE „WEITER" ODER „ZURÜCK" FÜR NÄCHSTE ODER VORHERIGE MELODIE.
- DRÜCKEN SIE DIE TASTE „WEITER" ODER „ZURÜCK" FÜR SCHNELLEN VORLAUF ODER RÜCKLAUF DER AKTUELLEN MELODIE.

## WIEDERGABE VON MP3 DISKS

- LEGEN SIE EINE MP3-CD EIN UND SCHLIESSEN SIE DIE TÜR.
- DRÜCKEN SIE WIEDERHOLT DEN FUNKTIONSSCHALTER BIS „CD" IM DISPLAY ANGEZEIGT WERDEN.
- DIE CD BEGINNT SICH ZU DREHEN UND DIE ERSTE MELODIE WIRD AUTOMATISCH ABGESPIELT. AM BILDSCHIRM ERSCHEINT DIE AKTUELLE TITELNUMMER. („001").
- DRÜCKEN SIE KURZ DIE TASTE „WEITER" ODER „ZURÜCK" FÜR NÄCHSTE ODER VORHERIGE MELODIE.
- WÄHREND DER WIEDERGABE, DRÜCKEN DER TASTE „STOPP" BEENDET DIE WIEDERGABE. DAS DISPLAY ZEIGT DIE GESAMTANZAHL DER TITEL (MELODIEN) DER DISK.

## USB-SPEICHER UND MP3 SD-KARTE WIEDERGABE

- DIESES GERÄT VERFÜGT ÜBER EINEN USB-STECKPLATZ, DER MP3-DATEIEN AKZEPTIEREN UND ABSPIELEN KANN, DIE SICH AUF HANDELSÜBLICHEN USB-SPEICHER BEFINDEN (KOMPATIBEL MIT USB VERSION 1.1 & 2.0) (AUCH „USB-STICKS" GENANNT).
- DAS GERÄT VERFÜGT AUSSERDEM ÜBER EINEN EINGEBAUTEN SD-STECKPLATZ, DER MP3-DATEIEN AKZEPTIEREN UND ABSPIELEN KANN, DIE SICH AUF STANDARD „SD" TYP FLASH-SPEICHERKARTEN BEFINDEN (HÖCHSTKAPAZITÄT = 16 GB), DIE ALLGEMEIN VERFÜGBAR SIND.
- UM DIESES ZU NUTZEN, MÜSSEN SIE ZUERST ENTWEDER EIN USB-SPEICHER ODER EINE SD-KARTE IN DEN RICHTIGEN STECKPLATZ EINFÜGEN.
- DRÜCKEN SIE WIEDERHOLT DEN FUNKTIONSSCHALTER BIS „SD" ODER „USB" IM DISPLAY ANGEZEIGT WERDEN.
- DIE ERSTE MP3-MELODIE WIRD AUTOMATISCH ABGESPIELT. AM BILDSCHIRM ERSCHEINT DIE AKTUELLE TITELNUMMER. („001").
- DRÜCKEN SIE KURZ DIE TASTE „WEITER" ODER „ZURÜCK" FÜR NÄCHSTE ODER VORHERIGE MELODIE.
- WÄHREND DER WIEDERGABE, DRÜCKEN DER TASTE „STOPP" BEENDET DIE WIEDERGABE. DAS DISPLAY ZEIGT DIE GESAMTANZAHL DER MP3-TITEL (MELODIEN) DER DISK.
- ALLE FUNKTIONEN FÜR MP3-WIEDERGABE VON USB-SPEICHER & SD-KARTE SIND GENAU DIE GLEICHEN WIE IM CD-MP3 MODUS (WIE ZUVOR BESCHRIEBEN).

**HINWEIS:** OBWOHL DIESES PRODUKT VOLLSTÄNDIG KOMPATIBEL MIT USB 1.1 & 2.0-STANDARDS IST, EIN KLEINER PROZENTSATZ (CA. 5%) VON USB-SPEICHER KÖNNTE NICHT LESBAR SEIN, AUFGRUND DER NICHTEINHALTUNG VON DEN USB-SPEICHER HERSTELLERN DER VOLLEN (OFFIZIELLEN) USB 1.1 / 2.0 NORMEN

DIE LESEZEIT FÜR EIN USB-SPEICHER ODER SD-KARTE IST ABHÄNGIG VON DER GESCHWINDIGKEIT DES SPEICHERGERÄTES UND DIE ANZAHL DER MELODIEN UND ORDNER. IN EINIGEN FÄLLEN KANN DIE LESEZEIT BIS ZU 60 SEKUNDEN DAUERN.

**ACHTUNG** ENTFERNEN VON USB-SPEICHER UND SD-KARTE  
ENTFERNEN SIE NIEMALS USB-SPEICHER ODER SD-KARTE AUS DEM GERÄT WÄHREND DER WIEDERGABE VON DIESEN SPEICHERMEDIEN. DRÜCKEN SIE IMMER ZUERST DIE STOPPTASTE UND MIT DEN FUNKTIONSSCHALTER „CD“ ODER „RADIO“ AUSWÄHLEN VOR DEM ENTFERNEN DES USB/SD SPEICHERS, UM SCHÄDEN AN DEN MP3-DATEIEN ODER SPEICHERMEDIEN ZU VERHINDERN.

**ACHTUNG:** DIESES GERÄT UNTERSTÜTZT KEINE USB-MP3-PLAYER, DURCH IHRE INHÄRENTE MANGELNDER SOFTWARE-KOMPATIBILITÄT. NUR USB-SPEICHER (FLASH-SPEICHER) KÖNNEN FÜR DIE MP3 WIEDERGABE VERWENDET WERDEN

#### **WICHTIGER HINWEIS**

BITTE VERWENDEN SIE KEIN USB-VERLÄNGERUNGSKABEL ZUM ANSCHLUSS IHRER USB-SPEICHER AN DEN USB-STECKPLATZ DIESES GERÄTS. SOLCHE KABEL KÖNNEN ZUSÄTZLICHE STÖRUNGEN EMPFANGEN, DIE ZUM BESCHÄDIGUNG DES DATENFLUSSES FÜHREN, EIN NORMALES ARBEITEN UND DIE VERWENDUNG DES USB-STECKPLATZES VERHINDERN. VERBINDEN SIE IMMER DEN USB-SPEICHER DIREKT AM USB-STECKPLATZ OHNE USB-VERLÄNGERUNGSKABEL.

**HINWEIS:** DIESES GERÄT UNTERSTÜTZT USB SPEICHER & SD-KARTE BIS ZU EINER MAXIMALEN SPEICHERGRÖSSE VON 16 GB.

### **PROGRAMMIERUNG DES CD-PLAYERS**

- DER CD-PLAYER KANN PROGRAMMIERT WERDEN EINE BELIEBIGE SEQUENZ VON BIS ZU 20 TITELN FÜR AUDIO-CD/ 99 TITEL FÜR MP3-CD IN BELIEBIGER REIHENFOLGE ABZUSPIELEN.
- DRÜCKEN SIE IMMER DIE TASTE „STOPP“, VOR BEGINN DER PROGRAMMIERUNG.
- DRÜCKEN SIE DIE TASTE „PROGRAMM/WIEDERHOLUNG“, AM BILDSCHIRM ERSCHEINT „P01“ UND DAS „P“ SYMBOL BLINKT; DAS GERÄT IST JETZT IN PROGRAMMIERMODUS, ERSTER TITEL.
- DRÜCKEN SIE KURZ DIE TASTE „WEITER“ ODER „ZURÜCK“ ZUR AUSWAHL DES TITELS FÜR DEN ERSTEN PROGRAMMSPEICHER UND DRÜCKEN SIE DIE TASTE „PROGRAMM/WIEDERHOLUNG“ ZUR BESTÄTIGUNG DER AUSWAHL.
- BEIM DRÜCKEN DER TASTE „PROGRAMM/WIEDERHOLUNG“ ERSCHEINT AM BILDSCHIRM DER NÄCHSTE PROGRAMMSPEICHER (Z.B. „P02“)
- WIEDERHOLEN SIE DIE VORHERIGEN ZWEI SCHRITTE ZUR AUSWAHL DER NÄCHSTEN TITEL IM PROGRAMM.
- VERGESSEN SIE NICHT DIE TASTE „PROGRAMM/WIEDERHOLUNG“ NACH JEDER AUSWAHL ZU DRÜCKEN.
- NACHDEM DIE MAXIMALE ANZAHL VON TITELN (ODER WENIGER) AUSGEWÄHLT WURDE, DRÜCKEN SIE DIE TASTE „PROGRAMM/WIEDERHOLUNG“, DAS „P“ SYMBOL HÖRT AUF ZU BLINKEN; DAS PROGRAMM WURDE GESPEICHERT.
- DRÜCKEN SIE DIE TASTE „WIEDERGABE“. DIE AUSGEWÄHLTEN TITEL WERDEN IN DER PROGRAMMIERTEN REIHENFOLGE ABGESPIELT.
- ZUM LÖSCHEN DES GESAMTEN PROGRAMMS DRÜCKEN SIE ZWEIMAL DIE TASTE „STOPP“, ODER SCHALTEN DAS GERÄT AUS.

## WIEDERGABEMODUS-FUNKTION

- JEDERZEIT WÄHREND DER WIEDERGABE:
- TASTE „WIEDERHOLUNG/ ZUFÄLLIG/ SPEICHER +“ DRÜCKEN UM DIE FOLGENDEN OPTIONEN ZU WÄHLEN:

  1. WIEDERHOLUNG: AKTUELLEN TITEL WIEDERHOLEN (ANZEIGE „REPEAT“)
  2. ORDNER WIEDERHOLEN: DEN AKTUELLEN ORDNER WIEDERHOLEN (ANZEIGE „REPEAT FOLDER „) (NUR BEI MP3 WIEDERGABE MIT ORDNER)
  3. ALLES WIEDERHOLEN: ALLE TITEL WIEDERHOLEN (ANZEIGE „REPEAT ALL“)
  4. ZUFALL: ALLE TITEL IN ZUFÄLLIGER GEMISCHTER REIHENFOLGE WIEDERHOLEN (ANZEIGE „RAND“)

## NUTZUNG DER AUDIO LINE IN VERBINDUNG (AUX-EINGANG)

- SIE KÖNNEN DEN AUDIO-AUSGANG EINES EXTERNEN GERÄTES WIE EIN MP3-PLAYER AN DIESES GERÄT ANSCHLIESSEN, UM DEN TON DIESES GERÄTES DURCH DIE HOHE QUALITÄT DES VERSTÄRKERS DIESES MUSIKSYSTEMS ANZUHÖREN.
- ZUM ANSCHLUSS DES EXTERNEN GERÄTES VERWENDEN SIE BITTE EIN STANDARD STEREO KOPFHÖRER-AUSGANG-KABEL (3,5 MM AUF 3,5 MM STECKER) ZUM ANSCHLIESSEN DES „KOPFHÖRER-AUSGANGS“ ODER „AUDIO- LINIENAUSGANG“ DES GERÄTES AN DEN AUX-EINGANGS-ANSCHLUSS DIESES GERÄTS (KABEL NICHT IM LIEFERUMFANG ENTHALTEN).
- MIT DEN FUNKTIONSSCHALTER POSITION „AUX“ AUSWÄHLEN.
- SCHALTEN SIE BEIDE GERÄTE EIN (HAUPTGERÄT UND EXTERNES GERÄT).
- BEGINNEN SIE MIT DER WIEDERGABE AM EXTERNEN GERÄT UND STELLEN DEN LAUTSTÄRKEREGLER DES HAUPTGERÄT AUF DAS GEWÜNSCHTE NIVEAU.
- VERGESSEN SIE NICHT BEIDE GERÄTE ABZUSCHALTEN SOBALD DAS EXTERNE GERÄT NICHT MEHR BENUTZT WIRD.

## TECHNISCHE DATEN

SPANNUNGSVERSORGUNG:	AC 230V ~ , 50HZ DC 9V (6 X C-CELL/ UM-2/ LR14 TYP) (BATTERIEN NICHT IM LIEFERUMFANG ENTHALTEN)
LEISTUNGS-AUFNAHME :	22W
LAUTSPRECHERLEISTUNG :	1,8W X 2
FREQUENZ:	FM 87,5 - 108 MHZ

DAS GERÄT DARF NICHT TROPFEN ODER SPRITZERN AUSGESETZT WERDEN UND KEINE MIT FLÜSSIGKEITEN GEFÜLLTEN GEGENSTÄNDE AUF DAS GERÄT STELLEN. DAS KENNZEICHNUNG UND TYPENSCHILD BEFINDET SICH AN DER GEHÄUSERÜCKSEITE DES GERÄTS.

DER NETZSTECKER IST ALS TRENNVORRICHTUNG VERWENDET UND SOLL IMMER LEICHT ZUGÄNGLICH BLEIBEN. UM DAS GERÄT GÄNZLICH VOM STROMNETZ ABZUTRENNEN DEN NETZSTECKER DES GERÄTES VON DER STECKDOSE TRENNEN. DER NETZSTECKER SOLLTE NICHT VERBAUT UND SOLLTEN BEI DER NUTZUNG LEICHT ZUGÄNGLICH SEIN.

UNTER DEM EINFLUSS ELEKTROSTATISCHER PHÄNOMEN, KANN ES ZU FEHLFUNKTIONEN KOMMEN. DAS GERÄT SOLLTE AUS UND WIEDER EINGESCHALTET WERDEN.

ÜBERMÄSSIGER SCHALLDRUCK VON KOPFHÖRERN KANN ZU GEHÖRSCHÄDEN FÜHREN. BATTERIE SOLLTE NICHT ÜBERMÄSSIGER WÄRME WIE SONNENSCHEN, FEUER ODER DERGLEICHEN, AUSGESETZT WERDEN.

**VORSICHT BEI ELEKTROSTATISCHEN ENTLADUNGEN (ESD)**

WENN ELEKTROSTATISCHE ENTLADUNG (ESD) AUFTRETEN, AN DER VORDERSEITE (OB METALL ODER KUNSTSTOFF) ODER AN DEN TASTEN, AM USB-STECKPLATZ UND / ODER SD-KARTENSTECKPLATZ (WENN SIE BEI DIESEM PRODUKT VORHANDEN SEIN), IST ES MÖGLICH, DASS DAS GERÄT JEDE FUNKTION STOPPT UND / ODER ABSCHÄLTET. DIES IST EIN NORMALER ZUSTAND UND SOLL GERÄT UND INTERNEN KOMPONENTEN VOR BESCHÄDIGUNG SCHÜTZEN.

IN DIESEM FALL, BITTE DAS GERÄT VON DER STROMQUELLE TRENNEN UND WIEDER ANSCHLIESSEN DAMIT DASS GERÄT WIEDER IN DEN NORMALBETRIEB ZURÜCKKEHRT.

TECHNISCHE DATEN KÖNNEN OHNE VORANKÜNDIGUNG GEÄNDERT WERDEN.



Deutsch  
Korrekte Entsorgung dieses Produkts  
(Elektromüll)



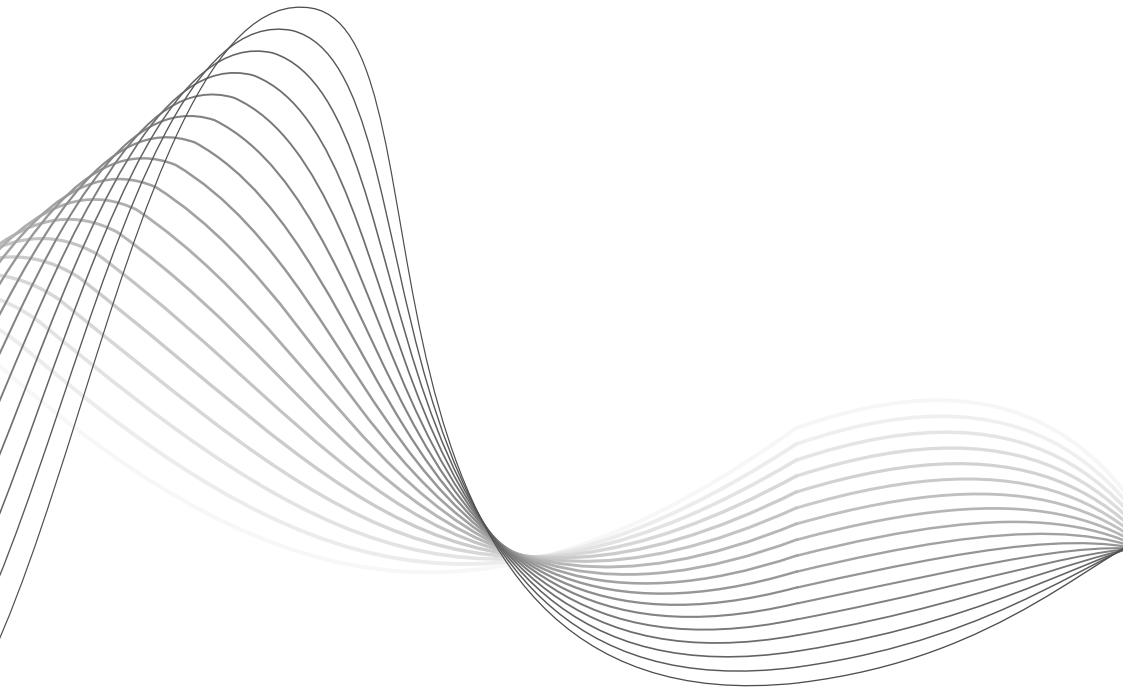
(Anzuwenden in den Ländern der Europäischen Union und anderen europäischen Ländern mit einem separaten Sammelsystem)

Die Kennzeichnung auf dem Produkt bzw. auf der dazugehörigen Literatur gibt an, dass es nach seiner Lebensdauer nicht zusammen mit dem normalen Haushaltsmüll entsorgt werden darf. Entsorgen Sie dieses Gerät bitte getrennt von anderen Abfällen, um der Umwelt bzw. der menschlichen Gesundheit nicht durch unkontrollierte Müllbeseitigung zu schaden. Recyceln Sie das Gerät, um die nachhaltige Wiederverwertung von stofflichen Ressourcen zu fördern.

Private Nutzer sollten den Händler, bei dem das Produkt gekauft wurde, oder die zuständigen Behörden kontaktieren, um in Erfahrung zu bringen, wie sie das Gerät auf umweltfreundliche Weise recyceln können. Gewerbliche Nutzer sollten sich an Ihren Lieferanten wenden und die Bedingungen des Verkaufsvertrags konsultieren. Dieses Produkt darf nicht zusammen mit anderem Gewerbemüll entsorgt werden.

Vertrieben durch LECHPOL Electronics BV, Nijverheidsweg 15 4311RT Bruinisse, Niederlande.





To see more product visit:  
<http://www.krugermatz.com>

**Krüger&Matz** is a registered trademark